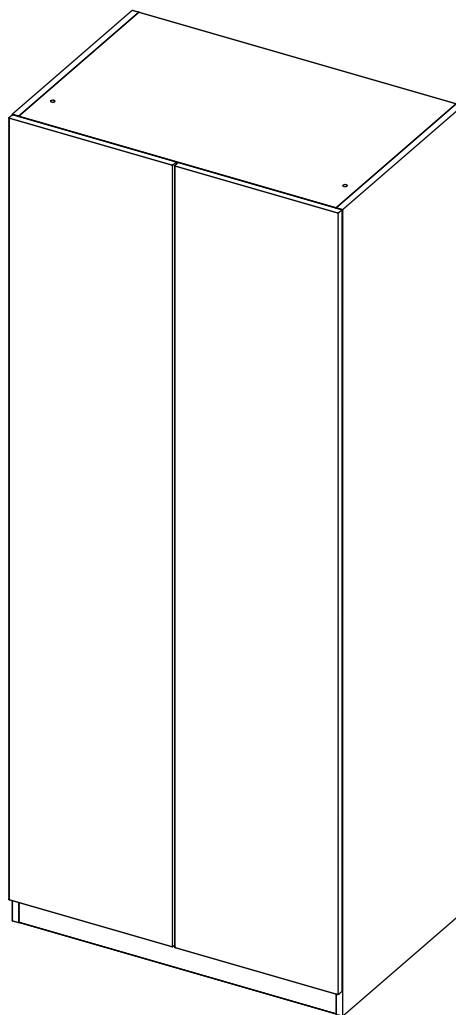


# Fitted Bedrooms: Double Wardrobe

Assembly Instructions - Please keep for future reference



## Dimensions

Width - 90cm

Depth - 58cm

Height - 219.6cm

**Important – Please read these instructions fully before starting assembly**

If you need help or have damaged or missing parts, return to your local store.

Produced for

HHGL Limited, MK9 1BA; HHGL (ROI) Limited, D02 X576



# Safety and Care Advice

**Important** – Please read these instructions fully before starting assembly

- Check you have all the components and tools listed on the following pages.
- Remove all fittings from the plastic bags and separate them into their groups.
- Keep children and animals away from the work area, small parts can choke if swallowed.
- Make sure you have enough space to lay out the parts before starting assembly.

- During assembly do not stand or put weight on the product, this could cause damage.
- Assemble the product as close to its final position (in the same room) as possible.
- Assemble on a soft, level surface to avoid damaging the unit or your floor.
- Parts of the assembly will be easier with 2 people.



- To reduce the likelihood of damaging your product, please ensure that your power drill is set on a low torque setting.

## Care and maintenance

- Only clean using a damp cloth and mild detergent, do not use bleach or abrasive cleaners.
- From time-to-time check that there are no loose screws on this product.
- This product should not be discarded with household waste. Take to your local authority waste disposal centre.

## Handy hints

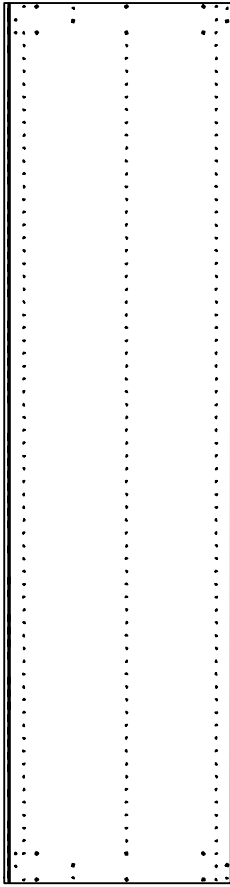
- Assemble all parts and bolts loosely during assembly, only once the product is fully assembled should you fully tighten the bolts.
- Regularly check and ensure that all bolts and fittings are tightened properly.

**Note:** If required, the next page can be cut out and used as reference throughout the assembly. Keep this page with these instructions for future reference.

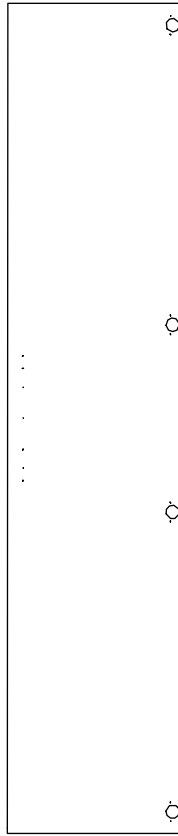
# Components - Panels

If you have damaged or missing components, return to your local store.

Please check you have all the panels listed below



**1** Side panels x 2  
(58 x 219.6cm)



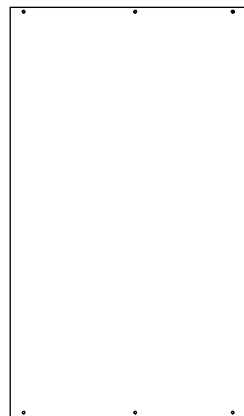
**2** Doors x 2  
(44.6 x 212.8cm)  
AVAILABLE TO  
BUY SEPARATELY



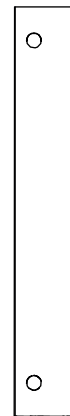
**3** Back panel x 1  
(88 x 211cm)



**4** Top/bottom panels x 2  
(58 x 86.4cm)



**5** Shelf x 1  
(56.2 x 86.3cm)




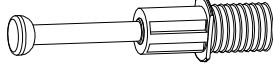
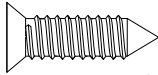

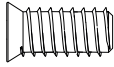
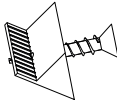
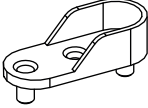
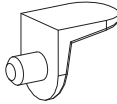
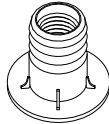

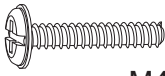
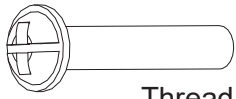


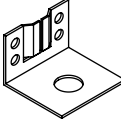
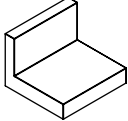


**6** Rails x 2  
(6.5 x 86.4cm)



# Components - Fittings

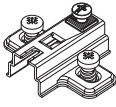


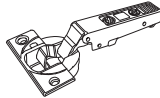
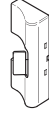
Please check you have all the fittings listed below

**Note:** The quantities below are the correct amount to complete the assembly. In some cases more fittings may be supplied than are required.


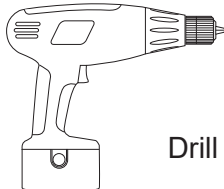




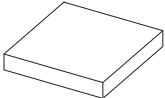
<b>A</b>  Wooden dowels x 12	<b>B</b>  Metal dowels x 16	<b>C</b>  16mm screws x 18
<b>D</b>  Locking nuts x 16	<b>E</b>  Euro screws x 4	<b>F</b>  Back fittings x 12
<b>G</b>  Hanging rail holders x 2	<b>H</b>  Shelf holders x 6	<b>I</b>  Metal T-nuts x 2
<b>L</b>  Door stops x 4	<b>M</b>  M4 x 15 screws x 2	<b>N</b>  Thread sleeves x 2
<b>O</b>  Adjusting feet x 2	<b>P</b>  Spacers x 2	<b>Q</b>  Angle brackets x 2
<b>R</b>  Angle covers x 2	<b>S</b>  Fixing plates x 2	<b>T</b>  Hanging rail x 1



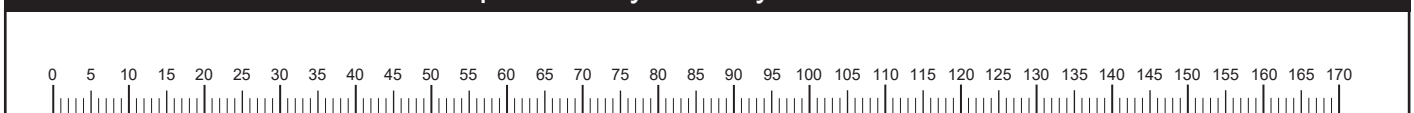
Components supplied with the door pack:

<b>J1</b>  Hinge plates x 8	<b>J2</b>  Hinge plates x 8	<b>K1</b>  Door hinges x 8	<b>K2</b>  Door hinges x 8	<b>U</b>  (only for <b>K1</b> hinges) Soft close devices x 4
---	---	--	---	---

## Tools required

	Phillips screwdriver (medium & large)			Ruler/tape measure
	Flatblade screwdriver (medium)			Clamp
	Ø5mm suitable drill bit (for drilling)			Scrap wood

**Ruler** - Use this ruler to help correctly identify the screws

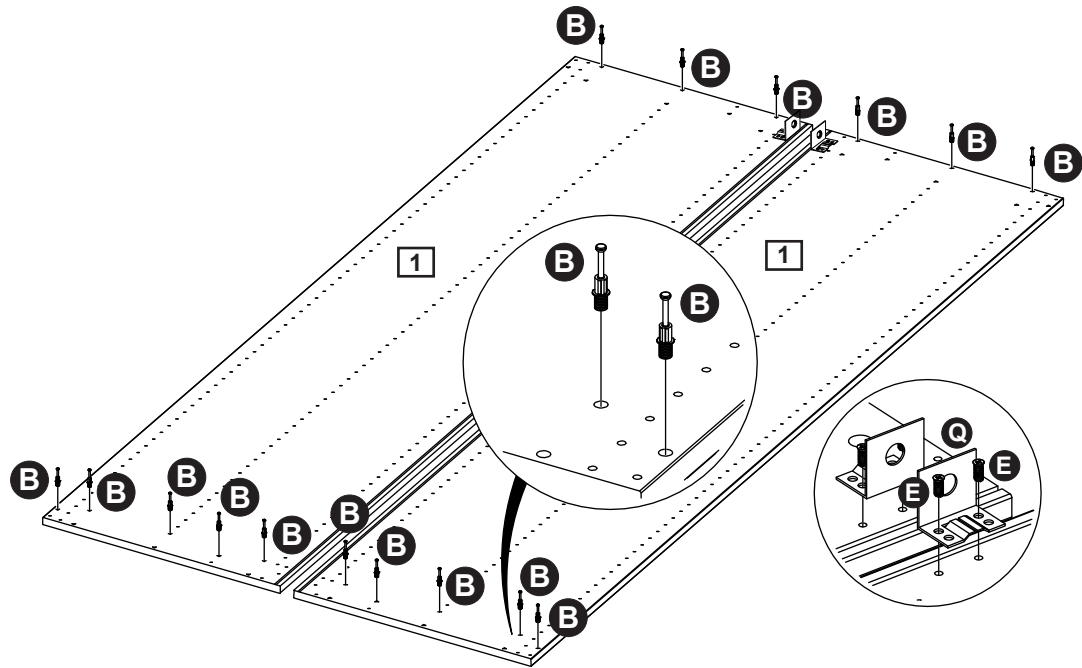


# Assembly Instructions

## Step 1

### Preparing side panels

Insert 16 metal dowels **B** into side panels **1**.  
Screw 2 metal plates **Q** using 4 screws **E**.



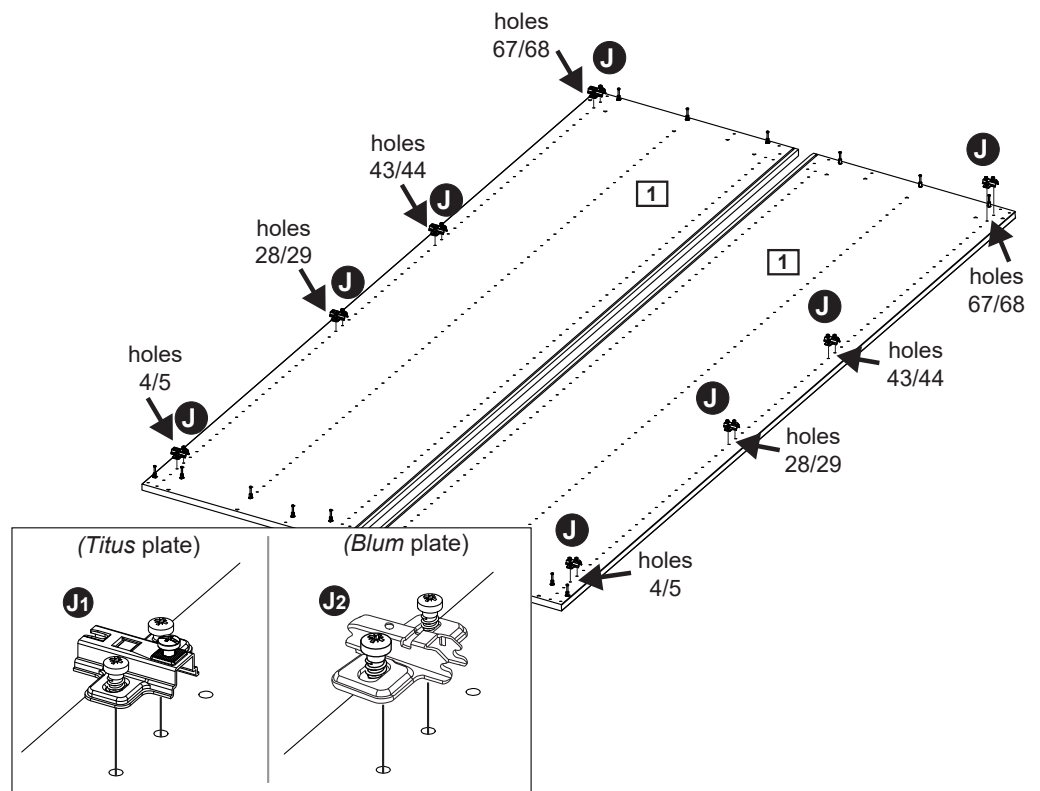
## Step 2

### Fitting hinge plates

Attach 8 hinge plates **J1** or **J2** to side panels **1**.  
Be sure to use correct holes for hinge plates.

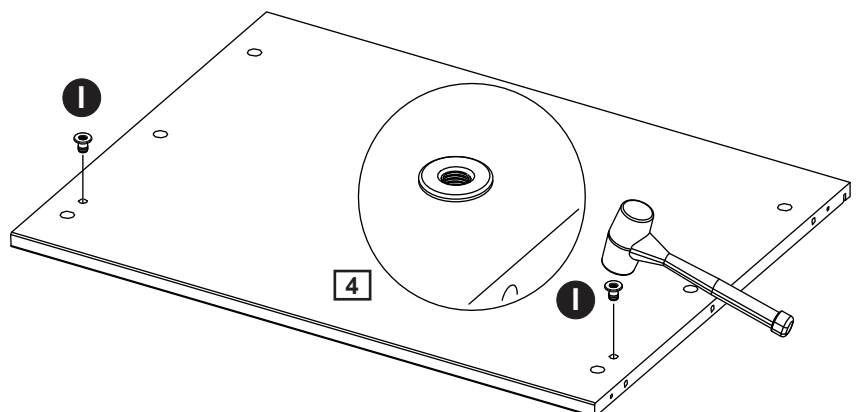


PLEASE NOTE: the fitting bag may contain *Titus* components (**J1** plates with **K1** hinges), or *Blum* components (**J2** plates with **K2** hinges). Both types fit correctly to this unit.



## Step 3

Carefully insert 2 metal T-nuts **I** in bottom panel **4** with a plastic hammer as shown.

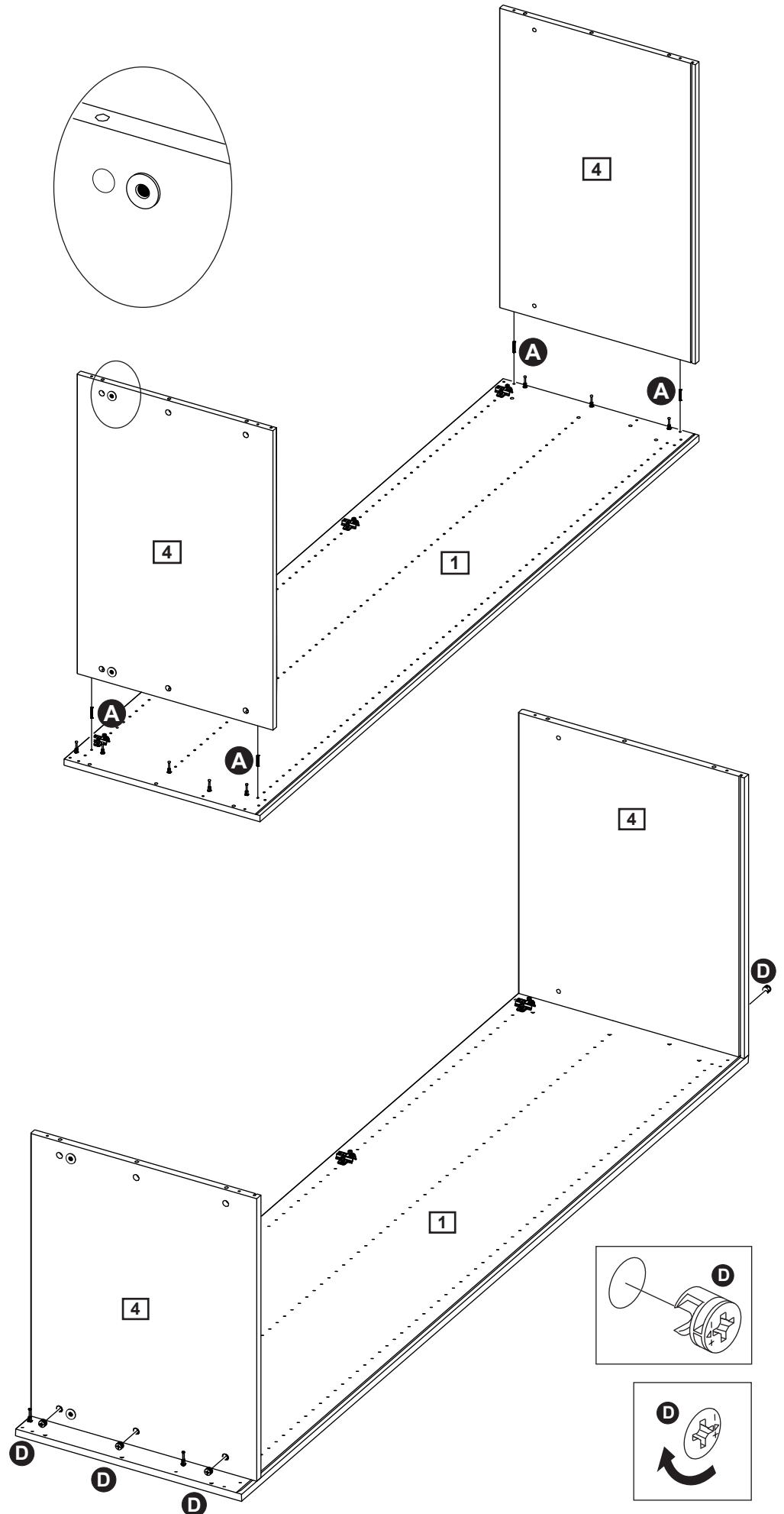


# Assembly Instructions

## Step 4

### Fit top and bottom panels

Insert 4 wooden dowels **A** on top and bottom panels **4** as shown. Then connect these parts to side panel **1**.



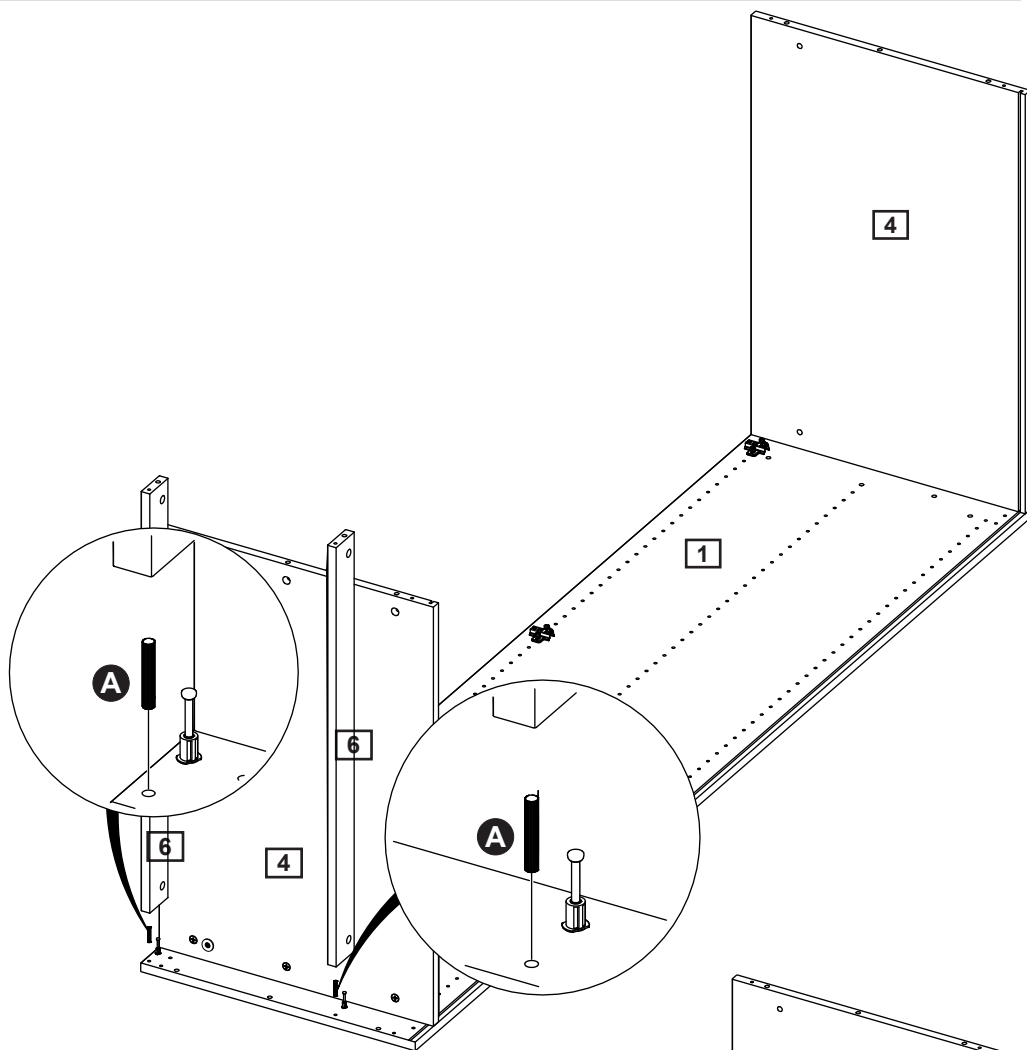
## Step 5

Insert 6 locking nuts **D** into top and bottom panels **4** where shown. Use a screwdriver to turn locking nuts **D** clockwise to lock.

# Assembly Instructions

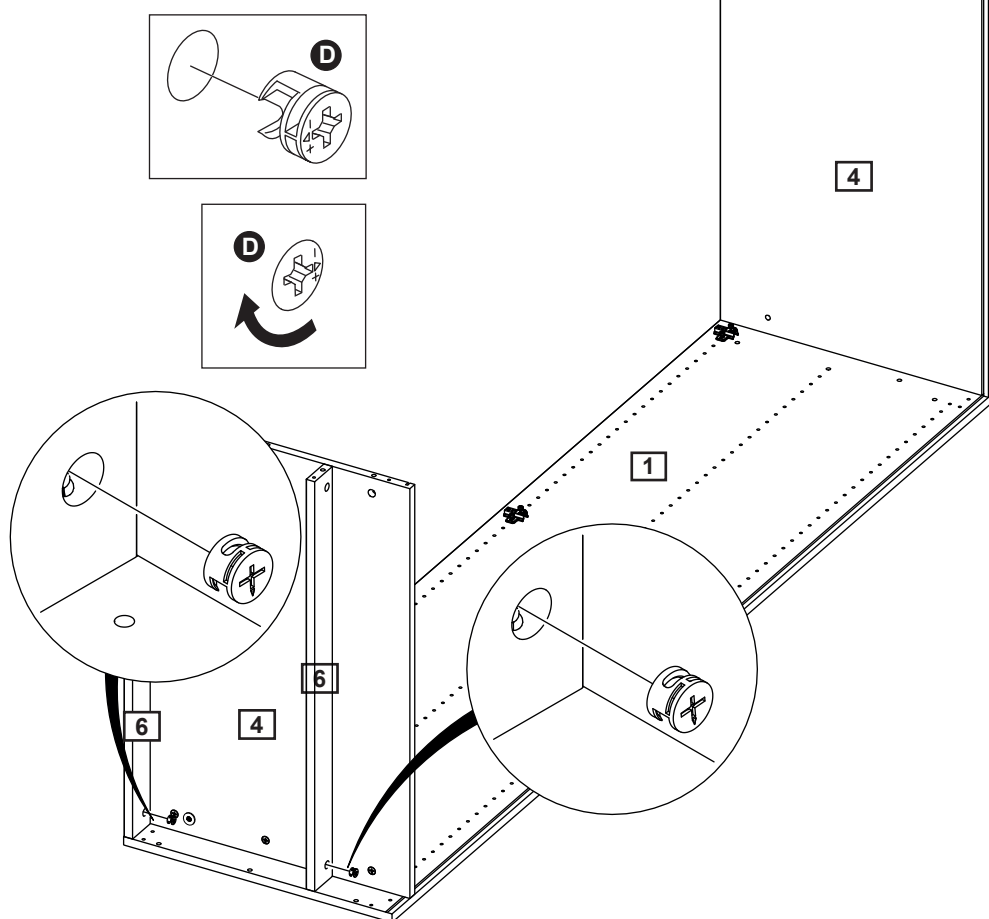
## Step 6

Insert 2 wooden dowels **A** on rails **6** as shown. Then connect these parts to side panel **1**.



## Step 7

Insert 2 locking nuts **D** into rails **6** where shown. Use a screwdriver to turn locking nuts **D** clockwise to lock.

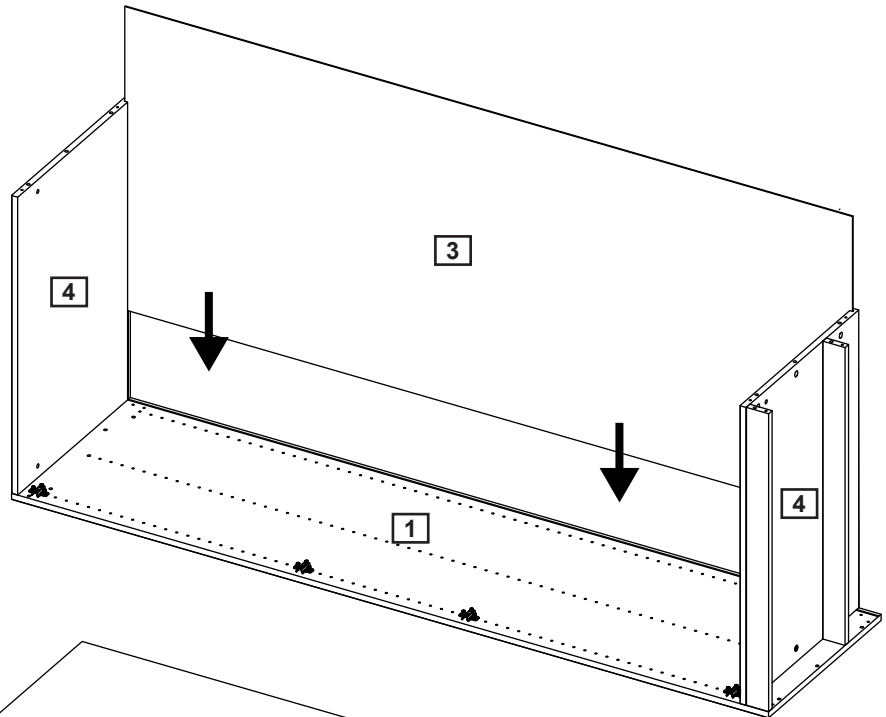


# Assembly Instructions

## Step 8

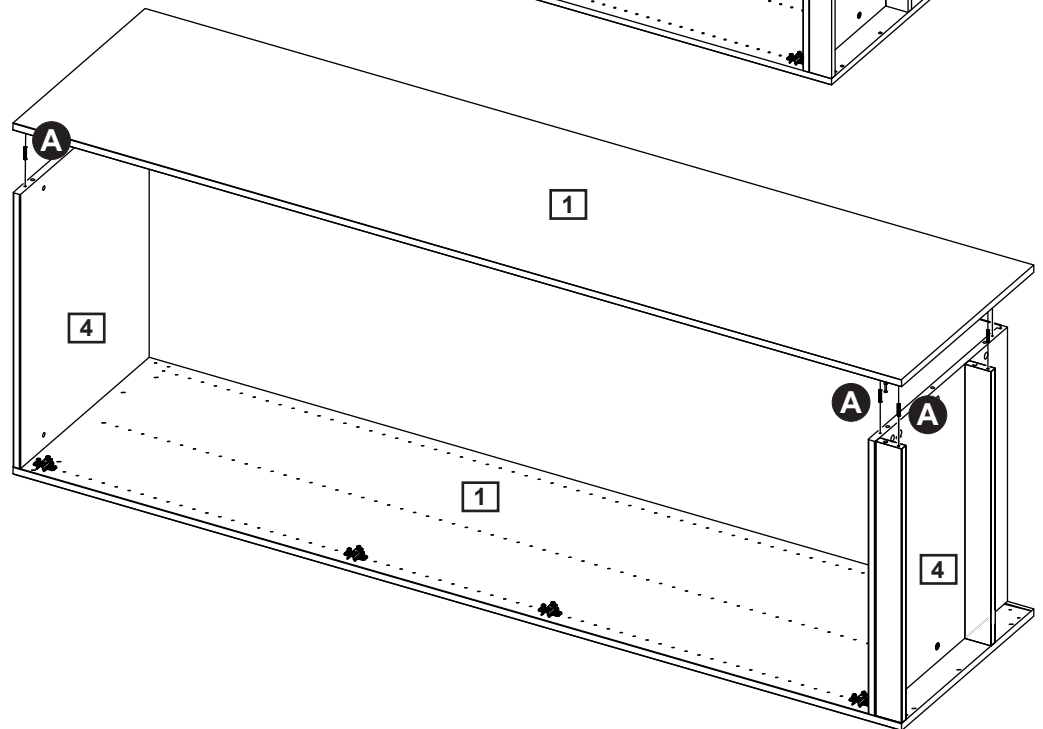
### Fitting back panel

Slide back panel **3** into the groove on panels **4**.



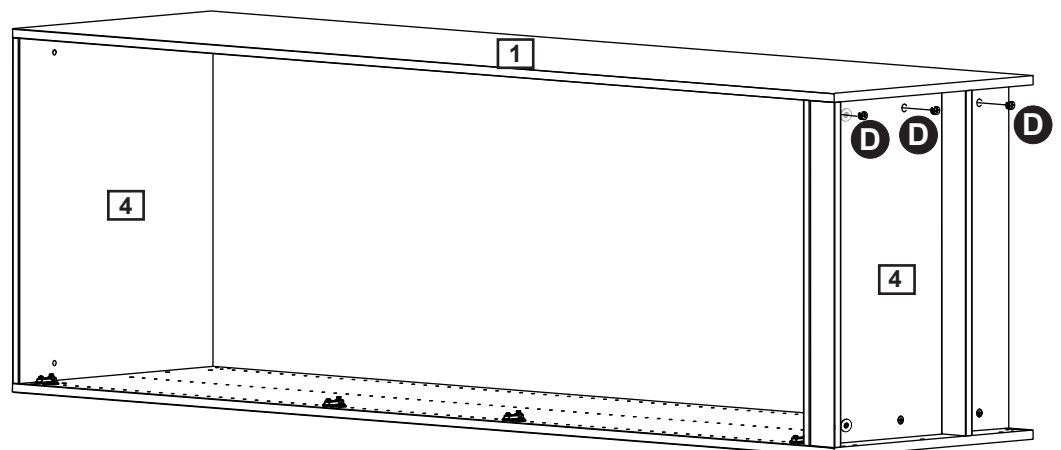
## Step 9

Insert 5 wooden dowels **A** on top and bottom panels **4** as shown. Then connect side panel **1** to these parts.



## Step 10

Insert 7 locking nuts **D** into top and bottom panels **4** and rails **6** where shown. Use a screwdriver to turn locking nuts **D** clockwise to lock.

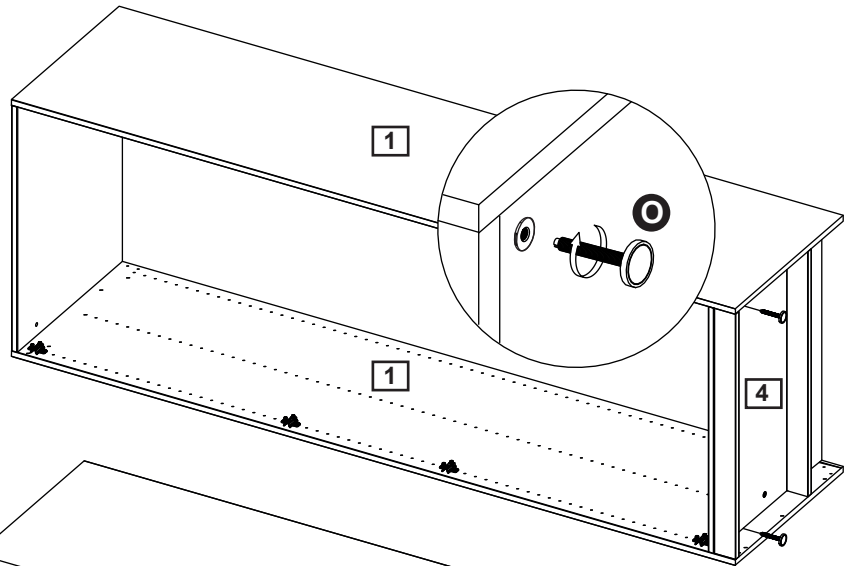




# Assembly Instructions

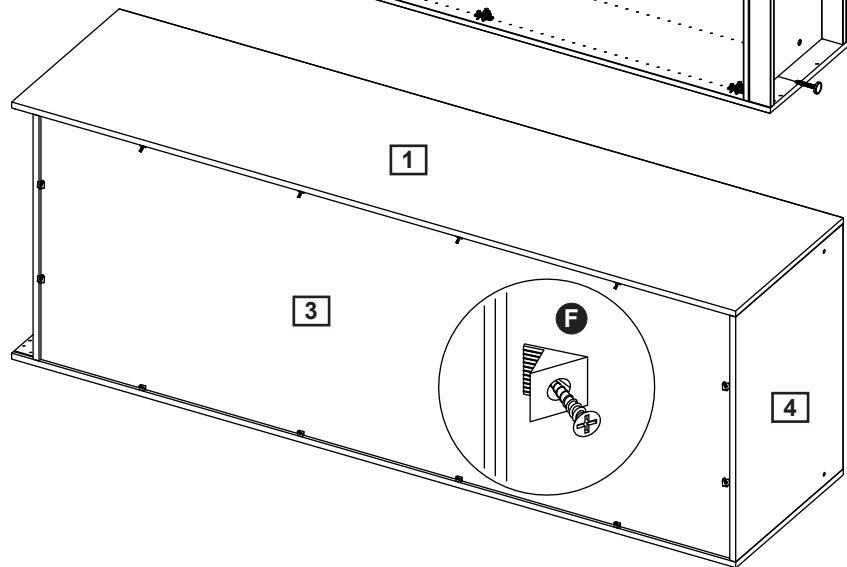
## Step 11

Fix 2 feet **C** into bottom panel **4** as shown.



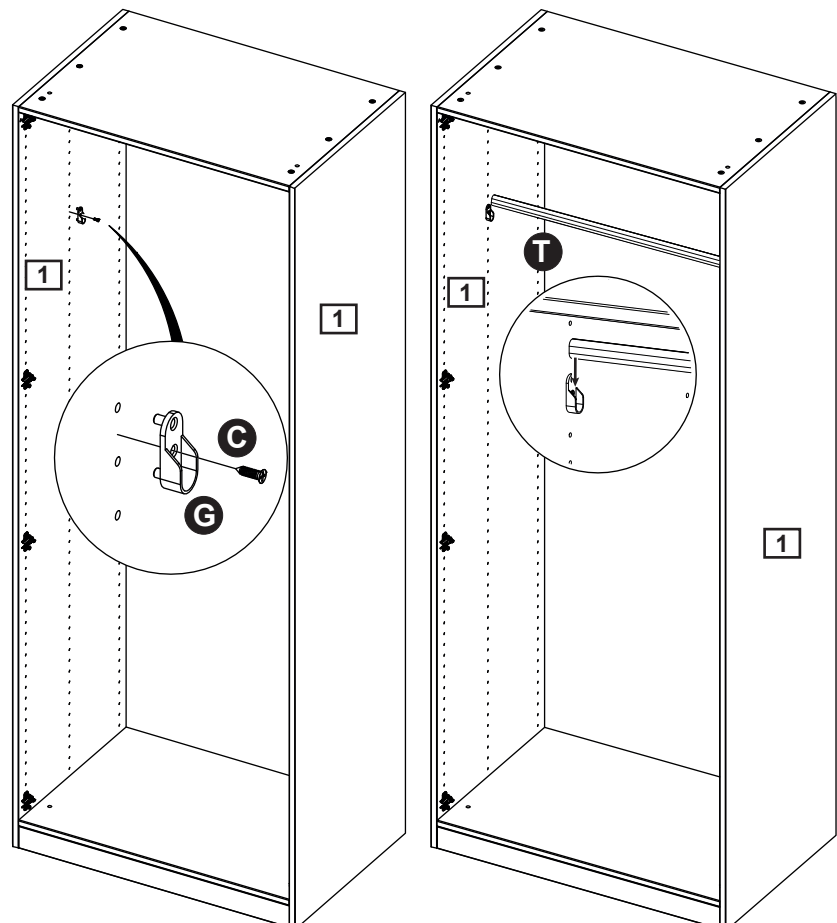
## Step 12

Carefully fix back panel **3** using 12 back fittings **F** by pushing them into the groove on the side panels **1** and top and bottom panels **4**. Once fitted in place, carefully secure by tightening the screws.



## Step 13

Fix 2 x hanging rail holders **G** to side panels **1** using 2 screws **C**. Then insert hanging rail **T** into rail holders **G**.

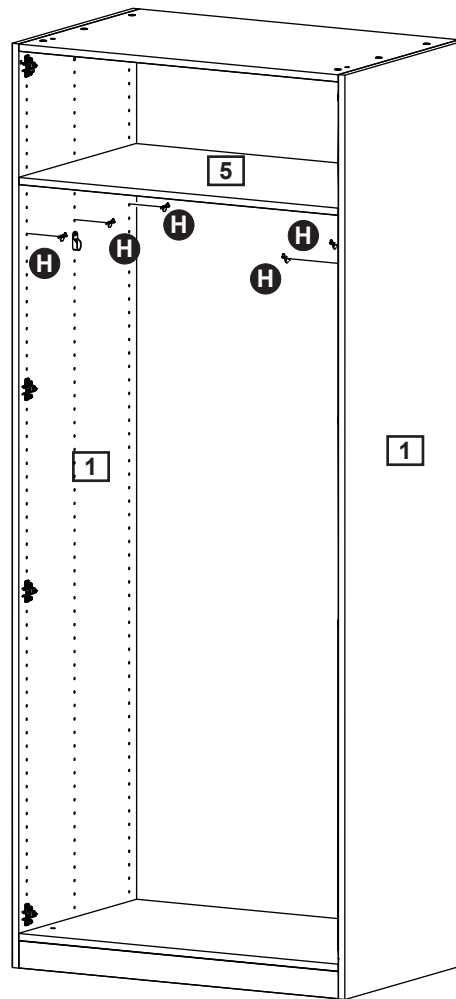


# Assembly Instructions

## Step 14

### Fitting shelf

Insert 6 shelf holders **H** onto side panels **1**. Then carefully slide shelf **5** inside cabinet.

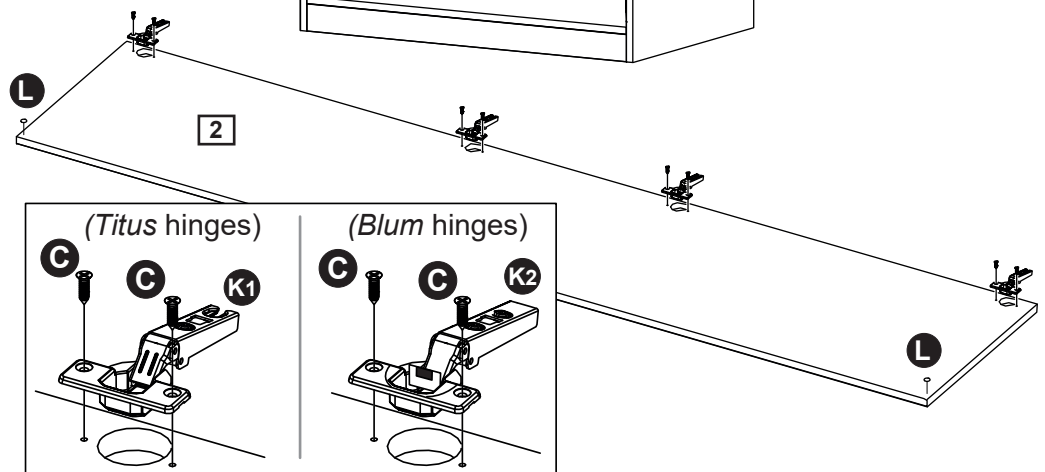


## Step 15

### Fitting door hinges

Attach 4 door hinges **K1** or **K2** to door **2**, using 8 screws **C**. Fix 2 bumpers **L** to door **2**.

Repeat the same also for the other door.



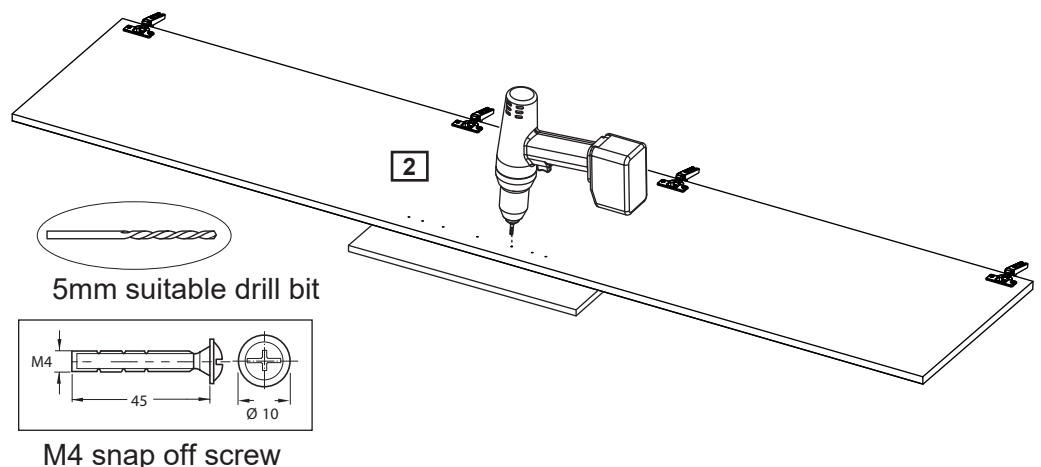
## Step 16

### Fitting door handles

Before drilling check your handle length by placing it close to the pre-drilled holes, so you will be sure to use the correct ones.

We recommend placing a scrap piece of wood (to avoid damages) underneath the door **2** and drill a hole for handle position using a 5mm drill bit.

Handle screws (provided with handle) need to be cut to length depending on the door thickness.



# Assembly Instructions

## Step 17

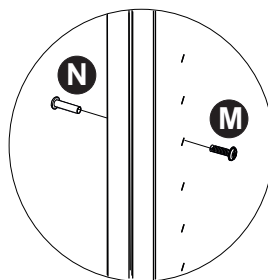
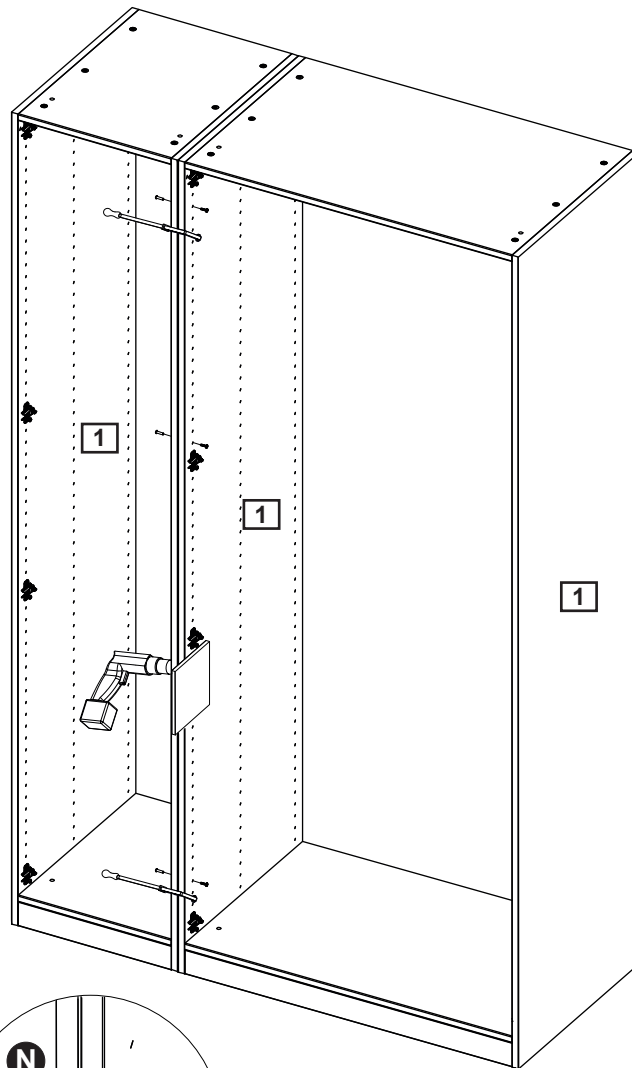
### Fixing units

If you want to fix two or more units together, first level units. Then fix them using clamps (not provided).

Drill through side panels **1** next to hinge plates, using a 5mm drill bit and placing a scrap piece of wood on the other side.

Then insert 2 screws **M** and 2 thread sleeves **N**, and tighten together to fix units.

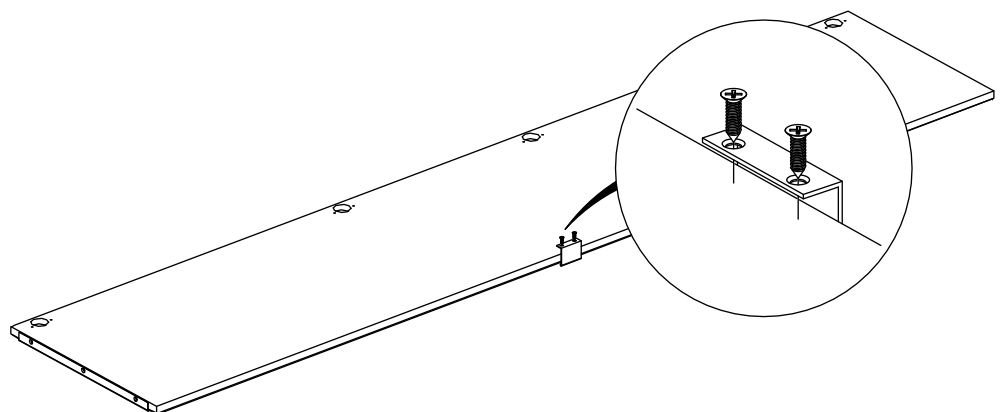
Now you can secure the units to the wall as seen on step 19.



## Step 18

### Fitting mirror door

Choose where to position your metal handle and fix it using 2 screws (provided with mirror door pack) as shown.



# Assembly Instructions

## Step 19

### Wall fixing

This unit must be secured to the wall.

If you have any doubt in installing this unit, you should seek the service of a professional fitter.

Firstly drill a 5mm hole through the cabinet back panel, through the holes in the brackets **Q**.

Then place the cabinet in your required location marking the wall with a pencil through the back panel holes **3**.

Prepare the wall by drilling where you've marked (move the cabinet out of the way to make this easier).

Before placing your cabinet into position, put your screws through the fixing plate **S** and bracket **Q**.

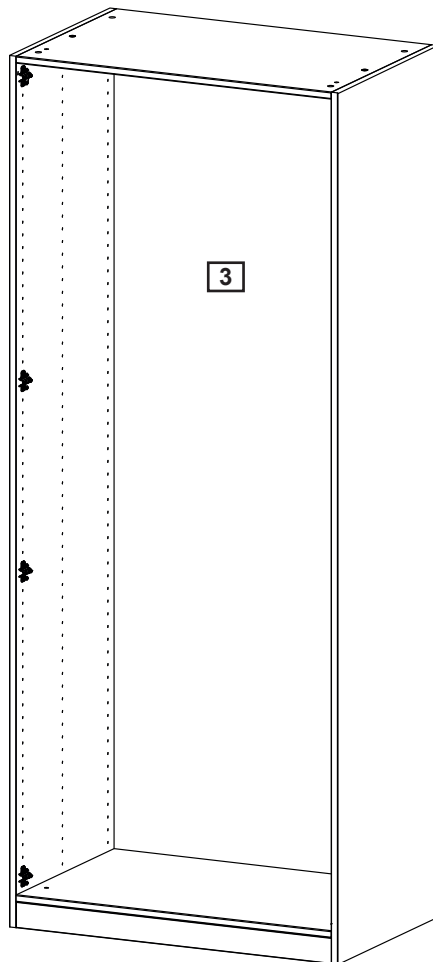
On the reverse side of the cabinet slide the plastic spacers **P** over your screws.

Now you can put the wardrobe against the wall and fix it into place.

For level adjustment, move the fixing plate up/down before fully tightening your fixture.

N.B.: Screws for wall fixing are not provided - please source suitable screws for your wall type.

Warning: Always ensure the area to be drilled is free from hidden electrical wires, water and gas pipes.

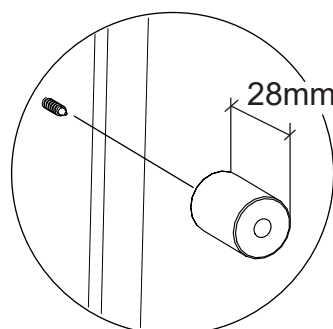
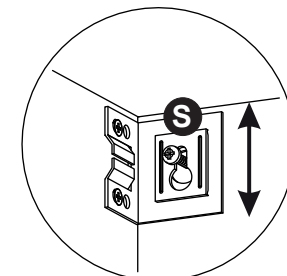
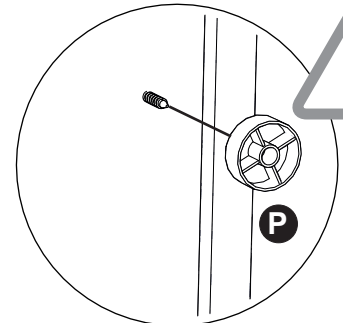
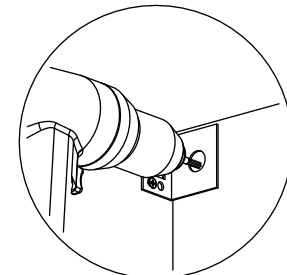
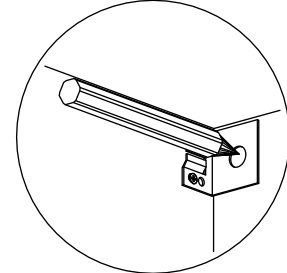
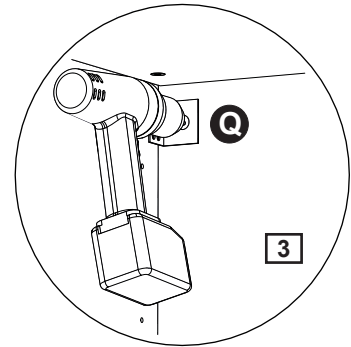


We recommend the use of the wall fixings for safety reasons.

N.B.: Screws for wall fixing are not provided - please source suitable screws for your wall type.

If in doubt, please consult a professional tradesperson.

Warning: Always ensure the area to be drilled is free from hidden electrical wires, water and gas pipes.



PLEASE NOTE: If you are going to install clad-on panels and a cornice, DO NOT USE spacers **P** provided with the wardrobe. You MUST USE SPECIFIC 28mm SPACERS, which are provided with the clad-on panels.

# Assembly Instructions

## Step 20

### Hanging doors

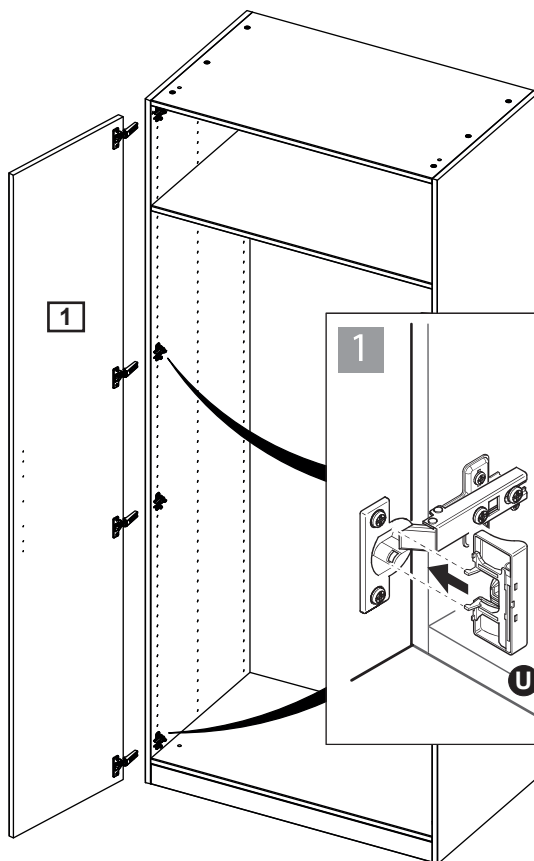
Fix the door to the unit, following one of the options below, depending on the type of plates and hinges you have.

#### OPTION 1 (*Titus* components):

**J1** plates with **K1** hinges.

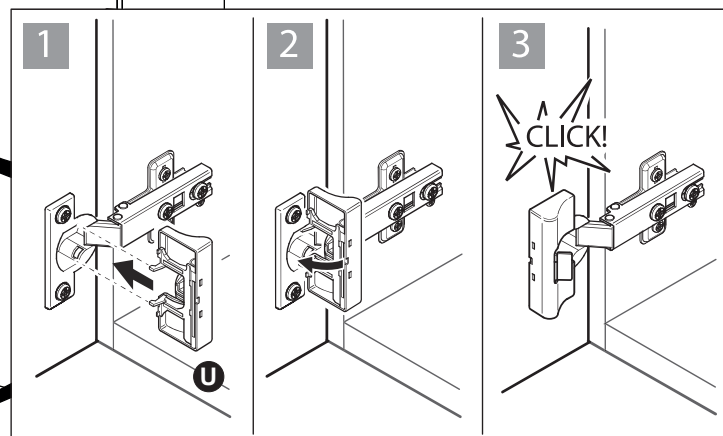
With help, slot door hinges **K1** onto hinge plates **J1**. Tighten screws to lock hinges in position. Fix the soft close device **U** onto the first and third hinges as shown.

Repeat the same steps for the other door.



#### OPTION 1 (*Titus* components):

**J1** plates + **K1** hinges + **U** soft close

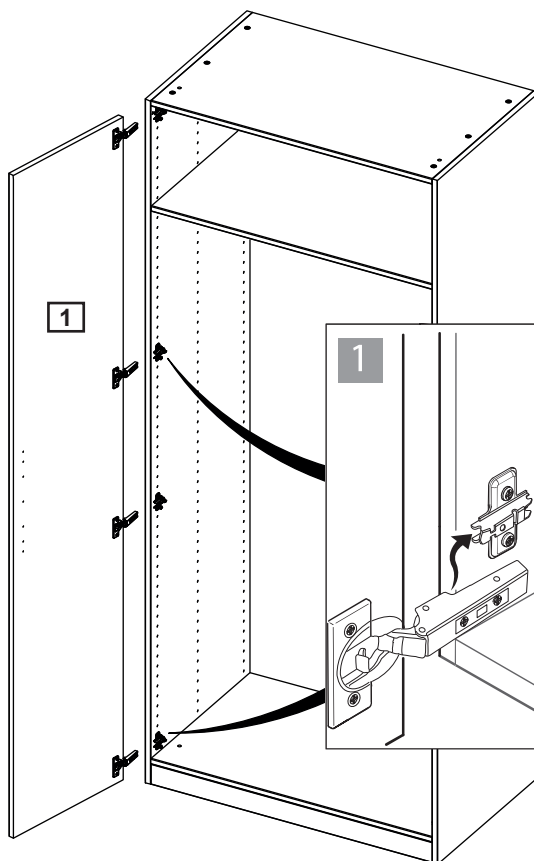


#### OPTION 2 (*Blum* components):

**J2** plates with **K2** hinges.

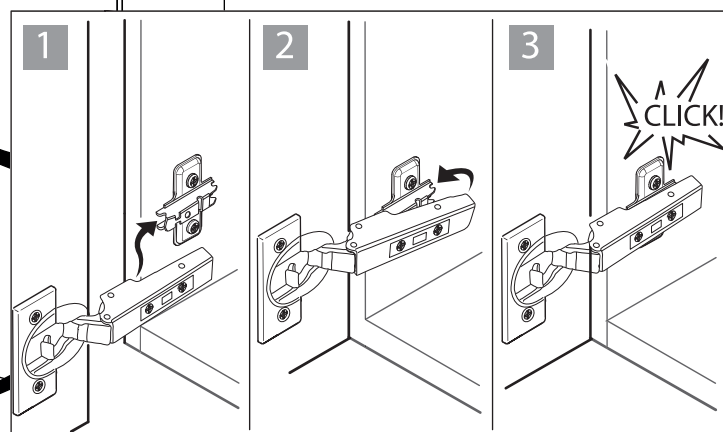
With help, slot door hinges **K2** onto hinge plates **J2** until they lock in position, as shown.

Repeat the same steps for the other door.



#### OPTION 2 (*Blum* components):

**J2** plates + **K2** hinges



# Assembly Instructions

## Hinge adjustment

To move doors up or down, loosen screws shown and move doors to suit.

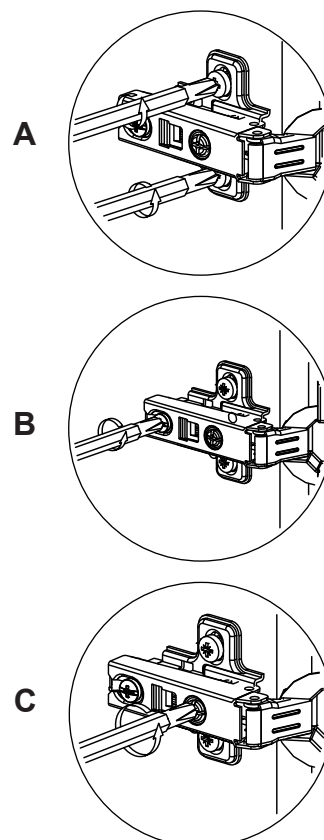
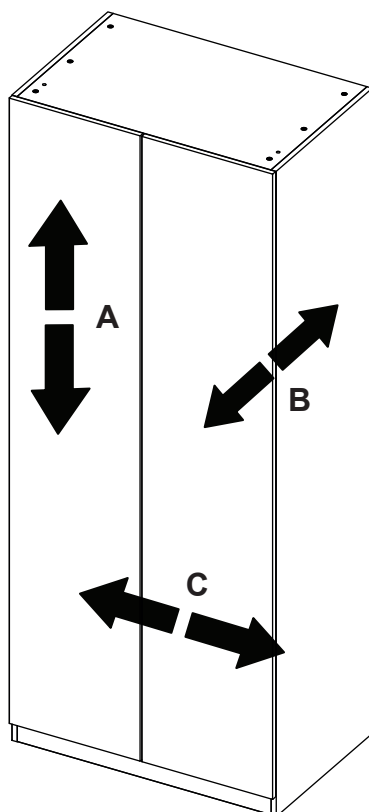
Once doors are aligned, re-tighten and insert screws into all hinge plates (see illustration A).

To move doors in or out, loosen screw shown and move doors to suit.

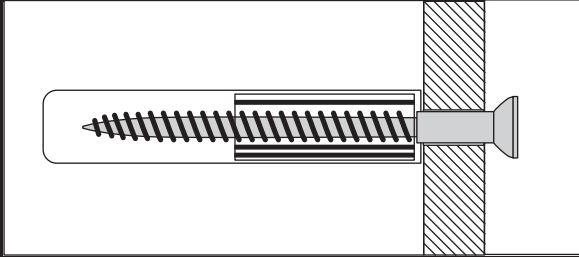
Re-tighten screw (see illustration B).

To move doors left or right, loosen screw as shown and move doors to suit.

Re-tighten screw (see illustration C).



# Wall Mounting & Fixings



### IMPORTANT:

When drilling into walls always check that there are no hidden wires or pipes etc. Make sure that the screws and wall plugs being used are suitable for supporting your unit. Consult a qualified tradesperson if you are unsure.

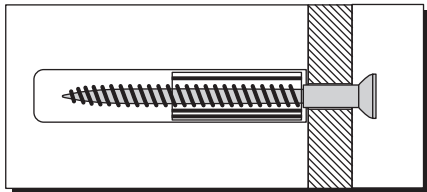
### HINTS:

- 1) General Rule: Always use a larger screw and wall plug if you are not sure.
- 2) Ensure you use the recommended drill bit to match the wall plug and hole size.
- 3) Ensure you drill the hole horizontally, do not force the drill or enlarge the hole.
- 4) Take extra care when drilling high walls, ceilings and ceramic tiles. Ensure the plug is fitted below the ceramic tile to avoid splitting or cracking.
- 5) Ensure wall plugs are well fitted and are a tight fit in the drilled hole.

## Types of Walls

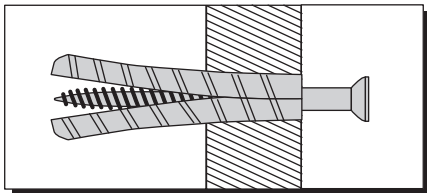
You can use one of the following types of wall plug if your walls are made of brick, breeze block, concrete, stone, wood or plasterboard.

### No.1 "Standard" Wall Plug General Wall Materials



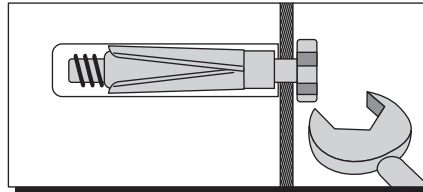
These come in various sizes and are made from plastic or sometimes wood fibre.

### No.2 "General Purpose" Wall Plug Aerated/Breeze Block



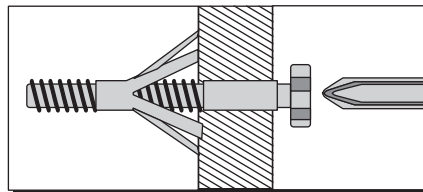
Generally aerated blocks should not be used to support heavy loads, use a specialist fitting in this case. For light loads, a General Purpose Plug can be used.

### No.3 "Shield Anchor" Wall Plug Heavy Loads



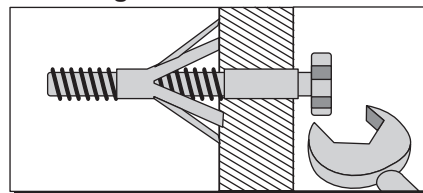
For use with heavier loads such as TVs, Hi-Fi Speakers and Satellite Dishes etc.

### No.4 "Cavity Fixing" Wall Plug



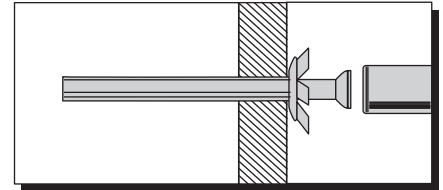
For use with plasterboard partitions or hollow wooden doors.

### No.5 "Cavity Fixing - Heavy Duty" Wall Plug



For use when fitting or supporting heavy loads such as shelving, wall cabinets and coat racks.

### No.6 "Hammer Fixing" Wall Plug



For use with walls stuck with plasterboard. The hammer fixing allows it to be fixed to the wall rather than the plasterboard. Always check the fixing is secure to the retaining wall.

## CARE & MAINTENANCE

### SAFETY

Always check the fitting and location to ensure your safety in and around the home.

### FITTING

From time-to-time check the fitting to ensure the wall plugs or screws do not become loose.