



HOMEBASE

GARDEN ARCH WITH BUILT-IN PLANTERS

INSTRUCTION MANUAL

IMPORTANT: Please read these instructions before using the product and retain for future use.

HHGL Limited, MK9 1BA
HHGL (ROI) Limited, D02 X576

ASSEMBLY INSTRUCTIONS

BEFORE YOU BEGIN

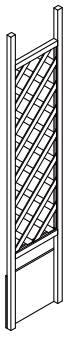
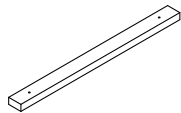
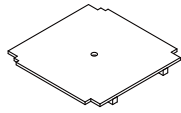
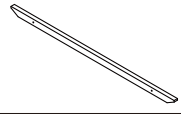
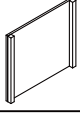
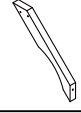
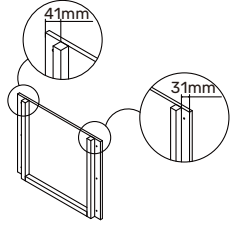


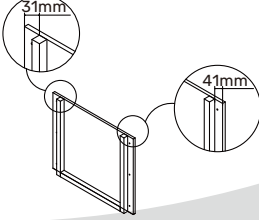

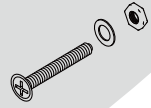
Please check that you have all of the parts before starting assembly.
A full list of the parts and step-by-step instructions are given below.

NOTE:

We do not recommend the use of a power drill/driver for inserting screws, as this could damage the product. Only use a hand screwdriver.



PARTS LIST

PART REF.	DESCRIPTION	DIAGRAM	QTY.	PART REF.	DESCRIPTION	DIAGRAM	QTY.
A	Arch-side panels		x 2	E	Arch-top support bars		x 5
				F	Planter-bottom board		x 2
				G	Arch-top cross bars		x 2
B	Planter-side panels		x 2	H	Arch-support bars		x 4
C	Planter-front panels		x 2	I	Screws (3*25)		x 24
				J	Screws (3.5*40)		x 10
D	Planter-back panels		x 2	K	Screws (4*45)		x 12
				L	Bolts (M6*70)		x 4

