

# SOVEREIGN

EASY GARDENING

## 400W HEDGE TRIMMER

Article No. 644313

Model No. HTEG34C-450



## ORIGINAL INSTRUCTION MANUAL

Please read these instructions fully before starting assembly.

HHGL Limited, MK9 1BA; HHGL (ROI) Limited, D02 X576

Sept. 22



Technical Support & Parts

**01904 727509**

Mon-Fri 9am-5pm Sat-Sun 11am-4pm  
[www.coreservice.co.uk](http://www.coreservice.co.uk)

# CONTENTS

General safety warnings	3
Intended use	9
Warning symbols	10
In the box	12
Assemble the hedge trimmer	13
Operation	14
Maintenance and storage	17
Troubleshooting	20
Technical data	21
Disposal	22
Getting help	22
Warranty	23

# General power tool safety warnings



**WARNING! Read all safety warnings, illustrations and specifications provided with this power tool.**

Failure to follow the warnings and instructions may result in electric shock, fire and/or serious injury.

Save all warnings and instructions for future reference.

The term “power tool” in the warnings refers to your mains-operated (corded) power tool or battery-operated (cordless) power tool.

## Work area safety

- a. Keep work area clean and well lit. Cluttered or dark areas invite accidents.
- b. Do not operate power tools in explosive atmospheres, such as in the presence of flammable liquids, gases or dust. Power tools create sparks which may ignite dust or fumes.
- c. Keep children and bystanders away while operating a power tool. Distractions can cause you to lose control.

## Electrical safety

- a. Power tool plugs must match the outlet. Never modify the plug in any way. Do not use any adapter plugs with earthed (grounded) power tools. Unmodified plugs and matching outlets will reduce the risk of electric shock.

- b. Avoid body contact with earthed or grounded surfaces, such as pipes, radiators, ranges and refrigerators. There is an increased risk of electric shock if your body is earthed or grounded.
- c. Do not expose power tools to rain or wet conditions. Water entering a power tool will increase the risk of electric shock.
- d. Do not abuse the cord. Never use the cord for carrying, pulling or unplugging the power tool. Keep cord away from heat, oil, sharp edges or moving parts. Damaged or entangled cords increase the risk of electric shock.
- e. When operating a power tool outdoors, use an extension cord suitable for outdoor use. Use of a cord suitable for outdoor use reduces the risk of electric shock.
- f. If operating a power tool in a damp location is unavoidable, use a residual current device (RCD) protected supply. Use of an RCD reduces the risk of electric shock.

## **Personal safety**

- a. Stay alert, watch what you are doing and use common sense when operating a power tool. Do not use a power tool while you are tired or under the influence of drugs, alcohol or medication. A moment of inattention while operating power tools may result in serious personal injury.
- b. Use personal protective equipment. Always wear eye protection. Protective equipment such as dust

mask, non-skid safety shoes, hard hat, or hearing protection used for appropriate conditions will reduce personal injuries.

- c. Prevent unintentional starting. Ensure the switch is in the off-position before connecting to a power source and/or battery pack, picking up, or carrying the tool. Carrying power tools with your finger on the switch or energising power tools that have the switch on invites accidents.
- d. Remove any adjusting key or wrench before turning the power tool on. A wrench or a key left attached to a rotating part of the power tool may result in personal injury.
- e. Do not overreach. Keep proper footing and balance at all times. This enables better control of the power tool in unexpected situations.
- f. Dress properly. Do not wear loose clothing or jewellery. Keep your hair, clothing and gloves away from moving parts. Loose clothes, jewellery or long hair can be caught in moving parts.
- g. Do not let familiarity gained from frequent use of tools allow you to become complacent and ignore tool safety principles. A careless action can cause severe injury within a fraction of a second.

## **Power tool use and care**

- a. Do not force the power tool. Use the correct power tool for your application. The correct power tool will do the job better and safer at the rate for which it was designed.

- b. Do not use the power tool if the switch does not turn it on and off. Any power tool that cannot be controlled with the switch is dangerous and must be repaired.
- c. Disconnect the plug from the power source and/or the battery pack before making any adjustments, changing accessories, or storing power tools. Such preventive safety measures reduce the risk of starting the power tool accidentally.
- d. Store idle power tools out of the reach of children and do not allow persons unfamiliar with the power tool or these instructions to operate the power tool. Power tools are dangerous in the hands of untrained users.
- e. Maintain power tools. Check for misalignment or binding of moving parts, breakage of parts and any other condition that may affect the power tool's operation. If damaged, have the power tool repaired before use. Many accidents are caused by poorly maintained power tools.
- f. Keep cutting tools sharp and clean. Properly maintained cutting tools with sharp cutting edges are less likely to bind and are easier to control.
- g. Use the power tool, accessories and tool bits etc. in accordance with these instructions, taking into account the working conditions and the work to be performed. Use of the power tool for operations different from those intended could result in a hazardous situation.

- h. Keep handles and grasping surfaces dry, clean and free from oil and grease. Slippery handles and grasping surfaces do not allow for safe handling and control of the tool in unexpected situations.

## **Service**

- a. Have your power tool serviced by a qualified repair person using only identical replacement parts. This will ensure that the safety of the power tool is maintained.

## **Additional safety warnings for hedge trimmer:**

- a. Keep all parts of the body away from the cutter blade. Do not remove cut material or hold material to be cut, when blades are moving. Make sure the switch is off when clearing jammed material. A moment of inattention while operating the hedge trimmer may result in serious personal injury.
- b. Carry the hedge trimmer by the handle with the cutter blade stopped. When transporting or storing the hedge trimmer always fit the cutting device cover. Proper handling of the hedge trimmer will reduce possible personal injury from the cutter blades.
- c. When clearing jammed material or servicing the unit, make sure all power switches are off and the battery back is removed or disconnected. Unexpected actuation of the hedge trimmer while clearing jammed material or servicing may result in serious personal injury.

- d. Hold the hedge trimmer by the insulated gripping surfaces only, as the blade may contact hidden wiring. Blades contacting a “live” wire may make exposed metal parts of the hedge trimmer “live” and could give the operator an electric shock.
- e. Keep all power cords and cables away from cutting area. Power cords or cables may be hidden in hedges or bushes and can be accidentally cut by the blade.
- f. Do not use the hedge trimmer in bad weather conditions, especially when there is a risk of lightning. This decreases the risk of being struck by lightning.
- g. Check the hedges and bushes for foreign objects, e.g. wire fences and hidden wiring, before carrying out any work.
- h. Hold the hedge trimmer properly, e.g. with both hands if two handles are provided.
- i. The hedge trimmer is intended to be used by the operator at ground level and not on ladders or any other unstable support.
- j. Before operating the hedge trimmer, the user should make sure the locking device(s) of any moving elements (e.g. the extended shaft and pivoting element), if any, are in the locked position.



## **Intended use**

This hedge trimmer has been designed for trimming light foliage, and is intended for DIY use only.

- a. This product is not to be used in wet weather conditions and may not be used to trim wet foliage.
- b. This product is intended for private domestic use only, not for any commercial trade use.
- c. It must not be used for any purposes other than those described. Any use of the product that deviates from its intended use and is not included in these instructions, is considered unauthorised use and relieves the manufacturer from his or her legal liability. This includes the use of unapproved accessories and replacement parts.

# Warning symbols



Before any use, refer to the corresponding paragraph in the present manual. The following warning symbols appear throughout this manual and indicate the appropriate safety measures you should take when operating and maintaining the trimmer.



**Warning!** This symbol, before a safety comment, indicates a precaution, a warning or a danger. Ignoring this warning can lead to an accident for yourself or for others. To limit the risk of injury, fire, or electrocution, always apply the recommendations indicated.



Wear ear protection.



Wear eye protection.



Wear a dust mask.



Do not expose or operate the power tool in rain.



Danger! Keep hands away from the blade.



Remove the plug from the mains supply immediately if the cable is damaged or cut.



Class II tool



Guaranteed sound power level data (99dB), in accordance with Directive 2000/14/EC.



Recycle unwanted materials instead of disposing of them as household waste. All tools, hoses and packaging should be sorted, taken to the local recycling centre and disposed of in an environmentally safe way.



The product complies with the applicable European directives and an evaluation method of conformity for these directives was done.

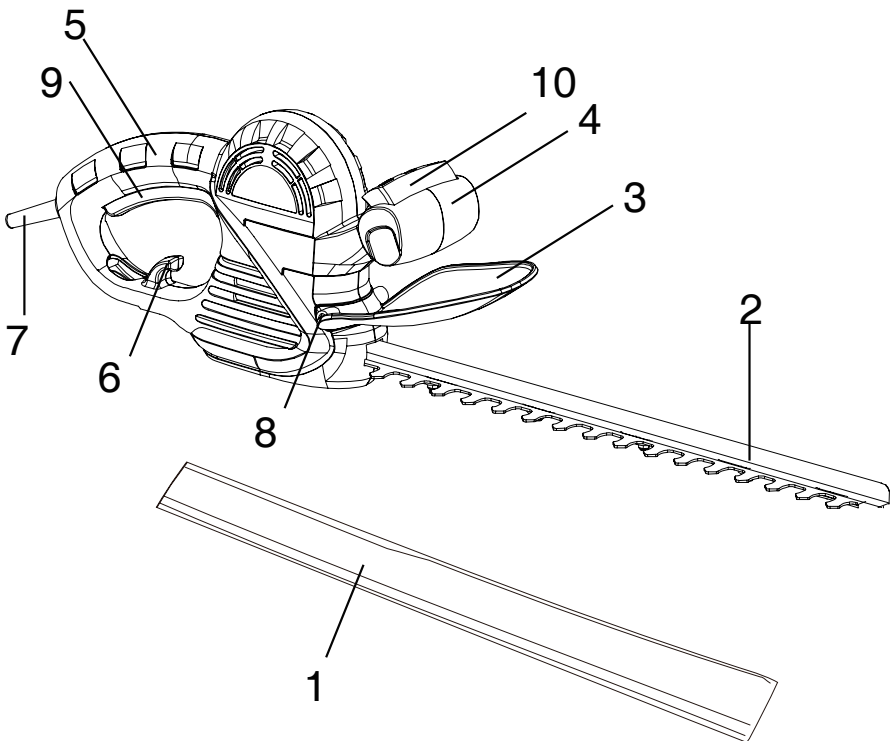


The product complies with the applicable UK Directives and an evaluation method of conformity for these directives was done.

# In the box

## Parts

1. Blade sheath
2. Blade
3. Safety hand guard
4. Front handle
5. Rear handle
6. Cable holder
7. Cable and plug
8. Fixed guard screws x 2
9. ON/OFF switch
10. Safety switch



# Assemble the hedge trimmer



## WARNING!

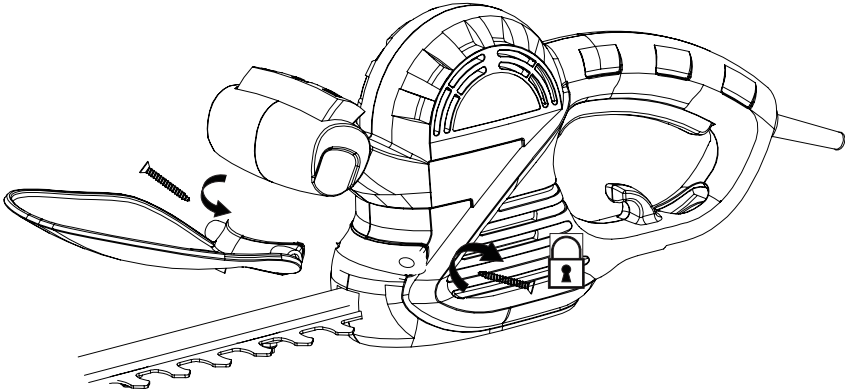
Always take care when removing the packaging to prevent damage to you or to the hedge trimmer.

Make sure that you have sufficient space to put the hedge trimmer down. Keep your feet apart so that you have a stable position; bend at the knees and keep your back straight.

Always recycle the packaging in accordance with local recycling schemes.

## ASSEMBLE THE GUARD

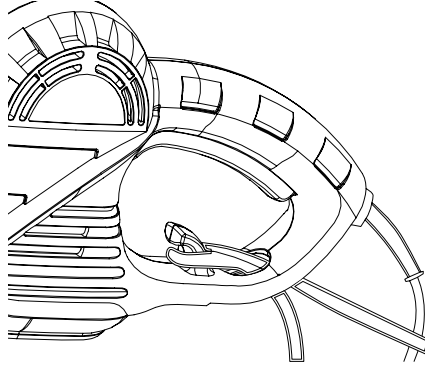
Insert the guard into the slots, as illustrated, and use two screws to fix the guard securely.



## MAINS SUPPLY CABLE STRAIN RELIEF

To prevent excessive strain on the cable connections, the hedge trimmer is fitted with a cable restraint.

Before switching on, push a loop of cable through the space in the handle and secure it over the cable restraint.



## Operation

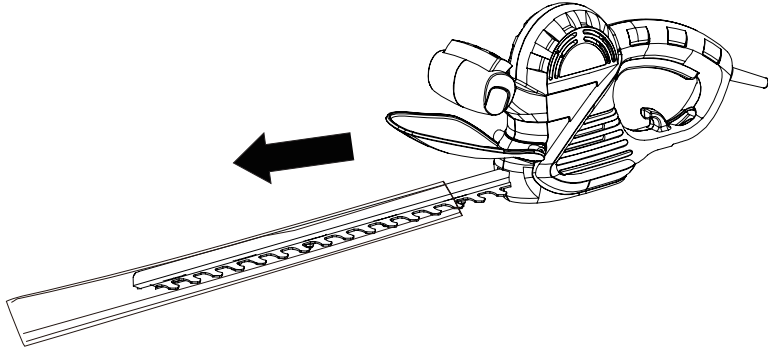
### PREPARE TO OPERATE



#### **WARNING!**

Before switching on, make sure that all personnel, particularly children and domestic animals, are at a safe distance. Inspect the hedge to be trimmed, and make sure there are no obstacles or foreign objects in the work area. If any parts are missing, damaged or broken, do not operate your hedge trimmer until all damaged parts have been replaced or repaired. Failure to do so could result in serious personal injury.

Before starting your hedge trimmer, remove the blade sheath, as shown.



## Switch on

Hold the rear handle with one gloved hand. Squeeze the ON/OFF switch. With the other gloved hand, hold the front handle and grip the safety switch. The hedge trimmer will then start.

## Switch off

To switch the hedge trimmer OFF, release either the safety switch or the ON/OFF switch.

## Cutting a hedge



### **WARNING!**

Before using this hedge trimmer, make sure that you have read all of the safety instructions.

Be aware of the position of the cable at all times. Keep it away from the blade.

When operating the unit, follow the below instructions:

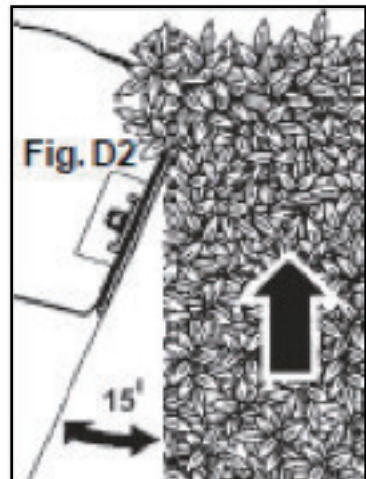
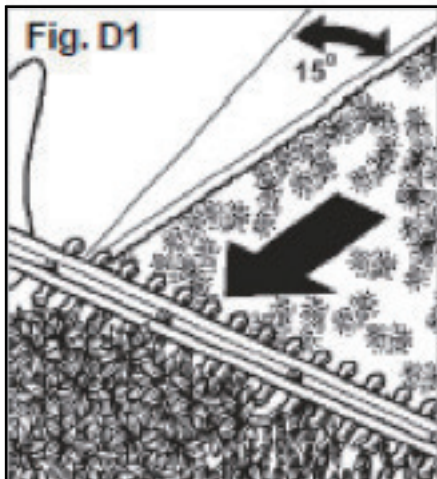
1. Wear eye protection and appropriate clothing.
2. Hold the front handle with one hand and auxiliary handles with the other hand.

Then follow the below steps:

1. Start trimming at the point nearest to the electricity supply and work away from it.
2. Keep the mains cable behind you at all times. Make sure that it is not in the path of the blade.
3. When trimming, the blade should be tilted towards the hedge. Always trim from the bottom upwards.
4. Trim the sides of the hedge first and then trim the top.
5. If the branches are very long, they should be cut back in several stages.
6. Make sure that there are no hard objects in the hedge, such as railings, that could damage the blade.
7. If the blade becomes jammed, switch off and disconnect from the mains supply before clearing the obstruction.
8. Do not force the hedge trimmer to cut oversized branches. These should be cut by hand using secateurs or shears.

**Note:** Evergreen hedges and shrubs that retain their leaves in the winter, should be trimmed in April and August.

Conifers and other fast-growing shrubs can be trimmed every six weeks from May onwards, throughout the growing season.





## Maintenance and storage



### **WARNING!**

Before cleaning, inspecting or repairing your unit, make sure the switch is off. Disconnect the plug from the mains.

## Cleaning



### **WARNING!**

Before lubricating, make sure your hedge trimmer is disconnected from the mains supply. Apply the oil so that it runs between the two blades.

1. Never use water or chemical cleaners to clean your power tool. Wipe clean with a dry cloth.
2. Keep the motor ventilation slots clean.
3. Do not allow cuttings and other debris to become dry and hard on any of the hedge trimmer surfaces. This will directly affect the cutting performance.
4. Make sure that the blade is kept clean of all cuttings and other debris.

## UK plug

If you need to replace the fitted plug, then follow the instructions below.

1. Keep the motor ventilation slots clean.
2. Have the unit professionally repaired should there be any damaged parts.

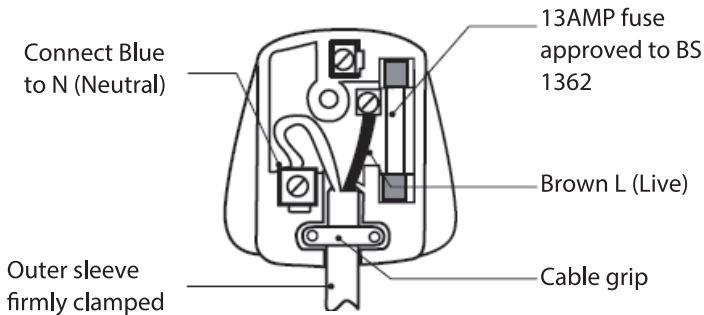
**IMPORTANT!** The wires in the mains lead are coloured in accordance with the following code:

Blue – Neutral, Brown – Live

In case the colours of the wires in the mains lead don't match the colour marking on the terminals, please proceed as follow.

Connect the blue wire to the terminal marked N (Neutral) or coloured black.

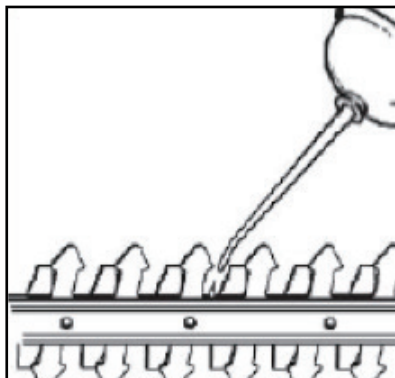
The brown wire must be connected to the terminal marked L or coloured red.



## Maintenance

For easier operation and longer life, lubricate the cutting blades before and after each use.

1. Always check the cutting head and guard before each use.
2. Have the unit professionally repaired should there be any damaged parts.



## Storage

**IMPORTANT!** Make sure that the hedge trimmer has been thoroughly cleaned before storing it in a clean, dry and safe place out of the reach of children.

Follow below steps before storing:

1. Switch the product off and disconnect it from the power supply before transporting it anywhere.
2. Attach the blade sheath.
3. Always carry the product on its gripping surfaces.
4. Protect the product from any heavy impact or strong vibrations, which may occur during transportation.
5. Secure the product to prevent it from slipping or falling over.
6. Always store your power tool in a safe, dry place.

# Troubleshooting



## WARNING!

Only perform the steps described within these instructions! All further inspection, maintenance and repair work must be performed by an authorised service centre or a similarly qualified specialist.

The following table provides solutions to common problems encountered with the hedge trimmer:

<b>Problem</b>	<b>Possible cause</b>	<b>Solution</b>
Product does not start	1. Not connected to power supply	1. Connect to power supply
	2. Power connection is loose	2. Connect the power supply properly
	3. Other electrical defect to the product	3. Check with a specialist electrician
Product does not reach full power	1. Extension cord not suitable	1. Use a proper extension cord
	2. Power source (e.g. generator) has too low voltage	2. Connect to another power source
	3. Air vents are blocked	3. Clean the air vents
Does not cut	Cutting device worn	Have a specialist replace it

# Technical data

Model no.	HTEG34C-450
Rated voltage	AC 230-240V; 50Hz
Output power	400W
No load speed	1750min <sup>-1</sup>
Cutting length	410mm
Tooth gap	16mm
Protection class	▣ / II
Machine weight	2.5kg
A weighted sound pressure (L <sub>pA</sub> )	77.3dB(A), K= 3dB(A)
A weighted sound power (L <sub>wA</sub> )	97.3dB(A), k=3dB(A)
The guaranteed sound power level	99dB(A)
Vibrations	3.384 m/s <sup>2</sup> (front handle) (K=1,5m/s <sup>2</sup> ) 3,428 m/s <sup>2</sup> (rear handle) (K=1,5 m/s <sup>2</sup> )

The declared vibration value has been measured in accordance with a standard test method and may be used for comparing one tool with another. The declared vibration value may also be used in a preliminary assessment of exposure.



## WARNING!

The vibration emission value during actual use of the tool can differ from the declared value depending on the ways in which the tool is used. Identify safety actual conditions of use (taking account of all parts of the operating cycle, such as the times when the tool is switched off and when it is running idle, in addition to the trigger time).

The sound intensity level for the operator may exceed 85dB(A) and ear protection measures are necessary.

## Recycling and disposal



Waste electrical products should not be disposed of with household waste. Please recycle where facilities exist. Check with your local authority or retailer for recycling advice.

## Getting help

Our dedicated UK-based customer helpline is open 7 days a week to assist you with assembly, parts queries and technical support. We are open during office hours but you can always send an email via **support@coreservice.co.uk**. Our experts are here to get you back enjoying your garden in no time.

For useful assembly, starting and maintenance videos, and for ordering spares, please visit **www.coreservice.co.uk**

Using our service does not affect your statutory rights.

## Warranty

This product is covered by a 1 year warranty.

The warranty covers any manufacturing defect in materials, workmanship and finish.

Any claim under this warranty must be made by going to your nearest Homebase store, taking your proof of purchase with you, and claims must be made within 1 year of the date of purchase.

We will offer you a free repair of the item where this is possible, or a replacement or a refund. Your statutory rights remain unaffected, in particular any rights you may have under the Consumer Rights Act 2015.

This warranty is given by HHGL Limited, MK9 1BA; HHGL (ROI) Limited, D02 X576

Please note: This warranty does not apply to products misused or neglected and only covers domestic use. It does not apply to commercial use of the product.