



# HOMEBASE

## MATARA TEA FOR TWO

### INSTRUCTION MANUAL

**IMPORTANT:** Please read these instructions before using the product and retain for future use.

HHGL Limited, MK9 1BA;  
HHGL (ROI) Limited, D02 X576

# SAFETY AND CARE ADVICE

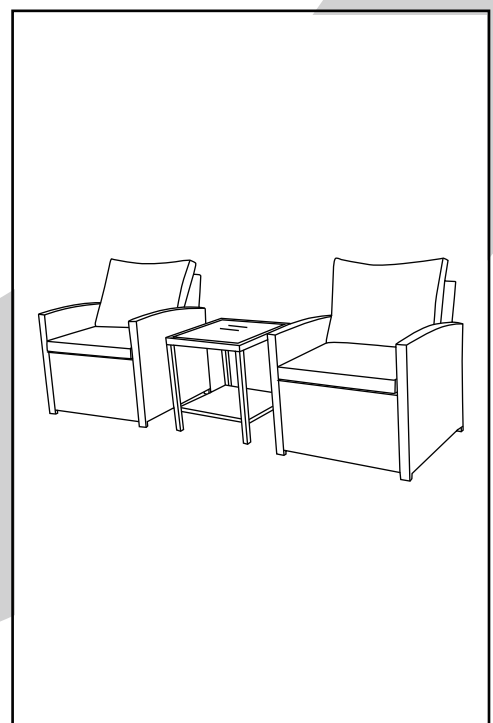
Please read these instructions fully before starting assembly.

- Check that you have all the components and appropriate tools listed in this booklet before starting assembly.
- Remove all fittings from their plastic bags and separate them into their groups.
- Keep children and animals away from the work area; small parts could choke if swallowed.
- Make sure you have enough space to lay out the parts before starting.
- Do not stand or put weight on the component parts during assembly as this could cause damage.
- Assemble on a soft, level surface, to avoid damaging the unit or your floor.
- Two-person assembly is recommended.
- Dispose of all packaging materials carefully and responsibly.
- Assemble the item as close to its final position as possible.
- We do not recommend the use of power drills/drivers for inserting screws, as this could damage the unit. Only use hand screwdrivers.
- From time to time, check there are no loose screws on this unit.
- This product should not be discarded with household waste.
- Please note: The cushions are not weatherproof and should be stored indoors if not used.
- This product is made from toughened glass, which is strong but not unbreakable. In the unlikely event that the glass fails, it will break into a large number of small fragments that may be spread over a wide area. This is a feature of toughened glass and is designed to remove the risk of injury from glass breaking into large shards.
- If the glass is chipped or broken, stop using the product.
- Tables should not be dragged at any time.
- Do not strike the glass with hard or pointed items, or place heavy weight on the table.
- Do not place hot items directly onto the glass.
- Avoid dropping objects on the glass, as this may weaken or shatter it.
- Do not use the glass as a chopping surface.



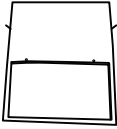
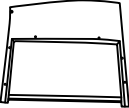
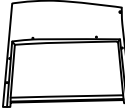
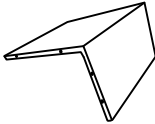
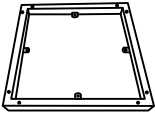


## IMPORTANT INFORMATION



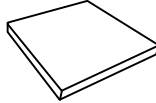
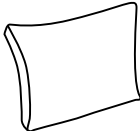
- Regularly check all the bolts, screws and fastenings are secure.
- Only clean using a damp cloth and mild detergent; do not use bleach or abrasive cleaners.
- Make sure each screw matches the corresponding figure, to ensure correct assembly.
- This product should not be discarded with household waste. Take to your local authority waste disposal centre.
- To prolong the life of this unit, we recommend it is stored inside during winter or extended periods of bad weather.



# COMPONENTS - PANELS

Please check you have all components listed below. If you have any missing or damaged components, please contact your local store.

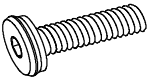
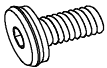


A1	 Backrest	x 2
A2	 Left armrest	x 2
A3	 Right armrest	x 2
A4	 Seat	x 2
B1	 Table rim	x 1
B2	 Table leg 1	x 2
B3	 Table leg 2	x 2

B4	 Bottom	x 1
B5	 Table glass	x 1
C	 Seat cushion	x 2
D	 Back cushion	x 2

# COMPONENTS - FITTINGS

Please check you have all fittings listed below. If you have any missing or damaged fittings, please contact your local store.

Note: The quantities below are the correct amount to complete the assembly. In some cases, more fittings may be supplied than required.

E	 Screw M6x35	x 28
F	 Screw M6x20	x 12
G	 Washer	x 40
H	 Screw cap	x 40

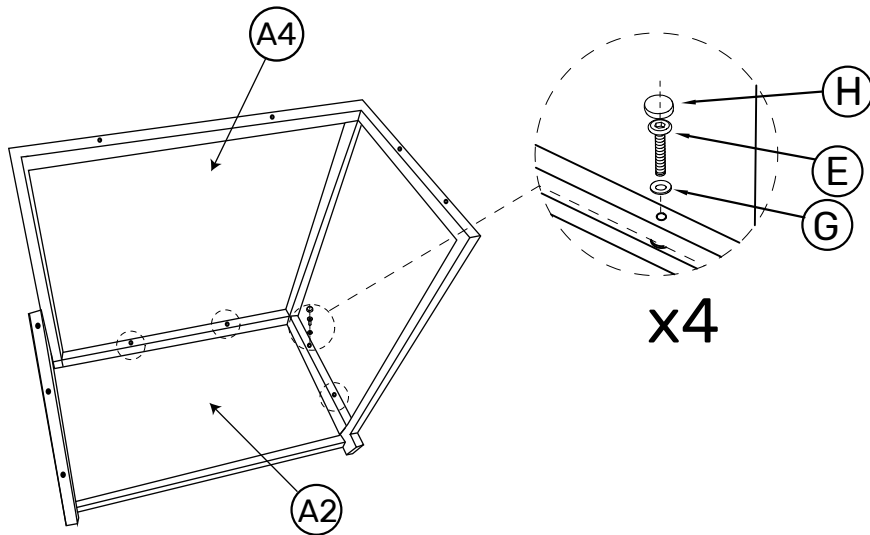
## Tools included

I	 Allen key	x 1
---	--	-----

# ASSEMBLY INSTRUCTIONS - CHAIR

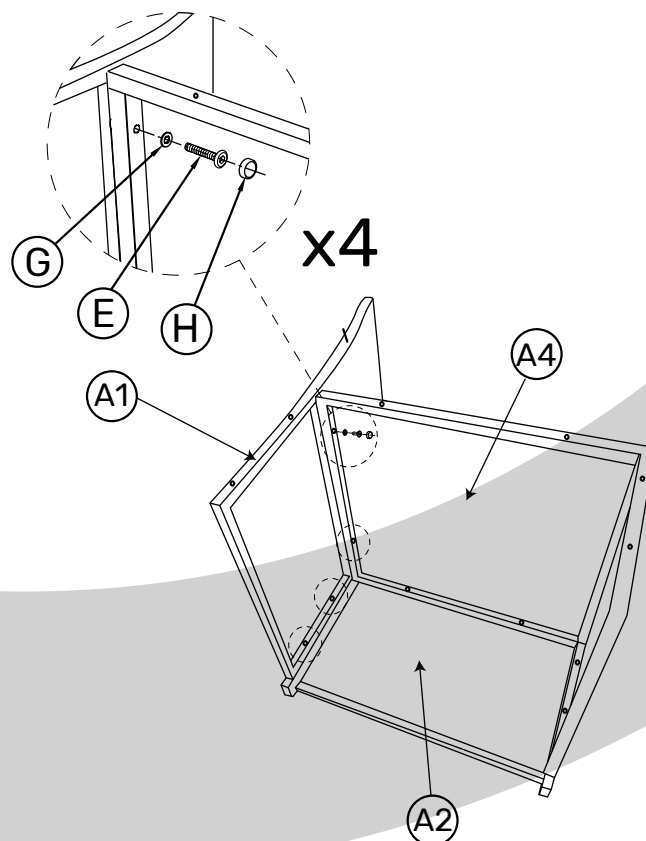
## Step 1

Use screws E and washers G to fix the seat A4 with left armrest A2. Do not fully tighten all screws until assembly is completed.



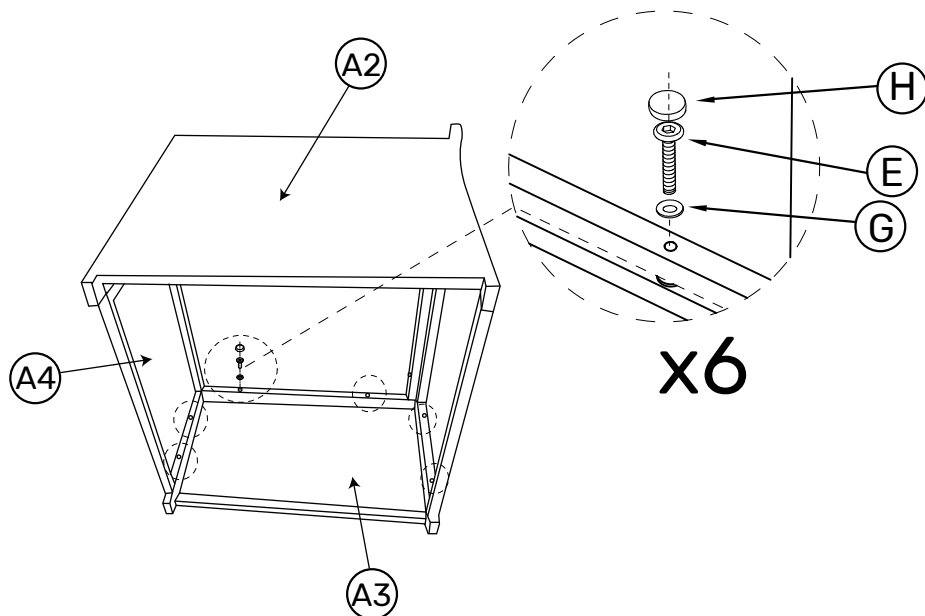
## Step 2

Use screws E and washers G to fix the backrest A1 onto the unit. Do not fully tighten all screws until assembly is completed.



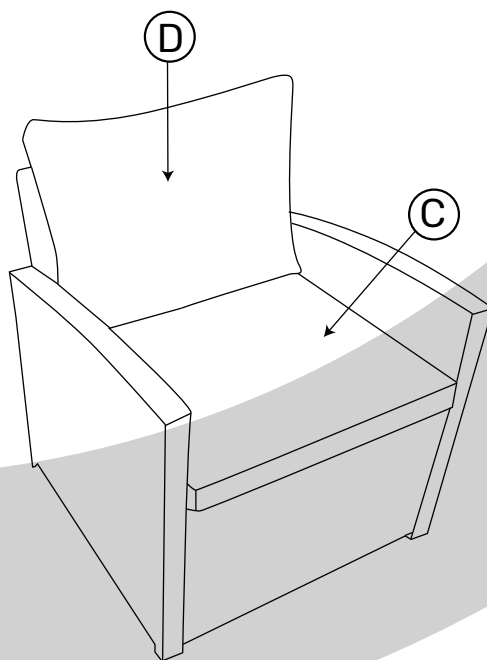
### Step 3

Use screws E and washers G to fix the right armrest A3 onto the unit. Do not fully tighten all screws until assembly is completed.



### Step 4

Put seat cushion C and back cushion D onto the chair.

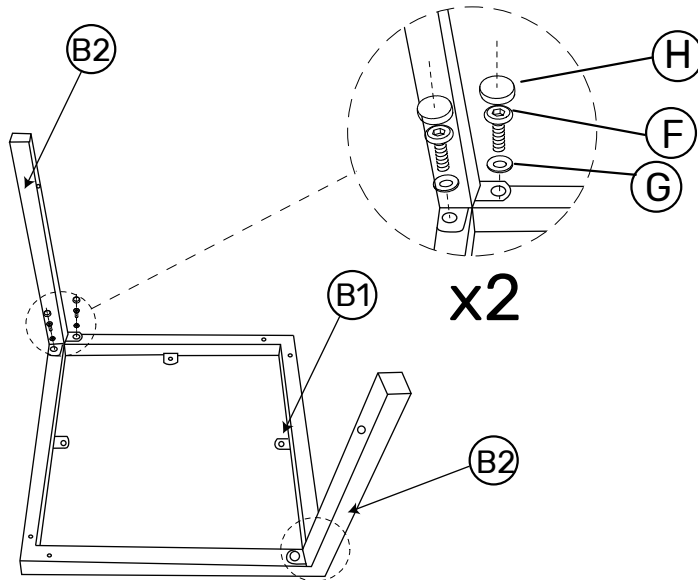


ASSEMBLY COMPLETE

# ASSEMBLY INSTRUCTIONS - COFFEE TABLE

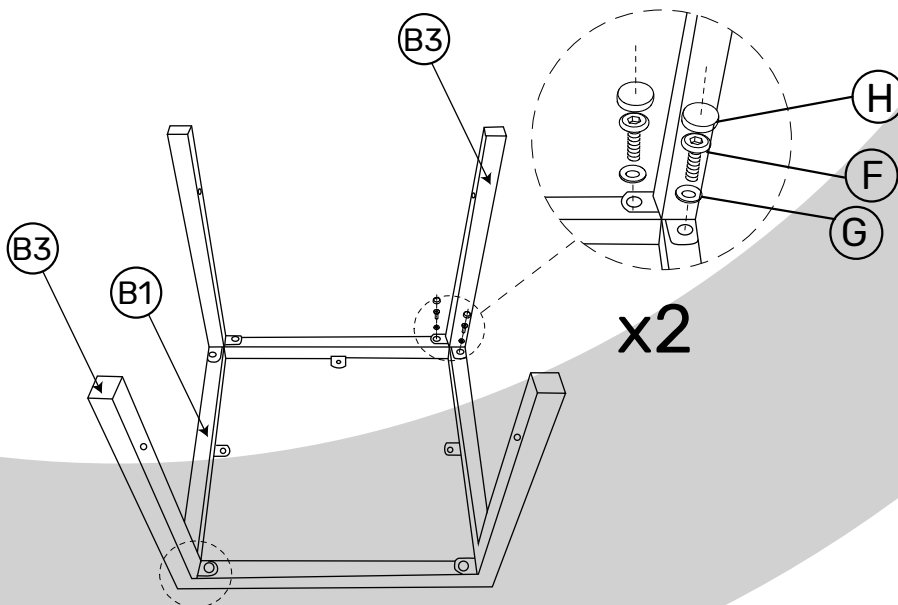
## Step 5

Use screws F and washers G to fix the table legs1 B2 onto the table rim B1. Do not fully tighten all screws until assembly is completed.



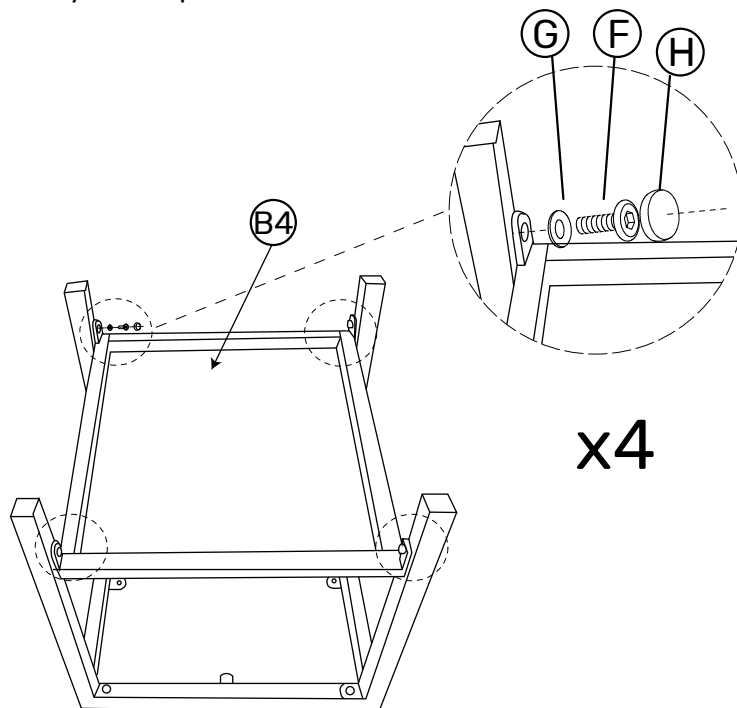
## Step 6

Use screws F and washers G to fix the table legs2 B3 onto the table rim B1. Do not fully tighten all screws until assembly is completed.



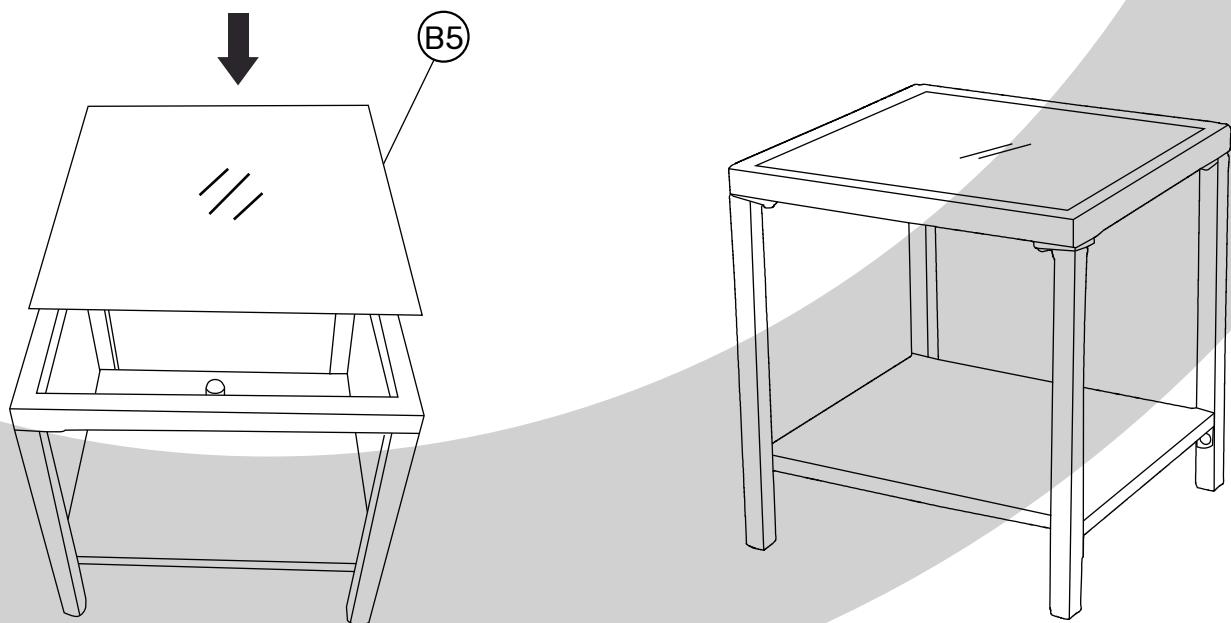
### Step 7

Use screws F and washers G to fix the bottom B4 onto the unit. Do not fully tighten all screws until assembly is completed.



### Step 8

Carefully place the glass B5 onto the table rim. Now your table is ready to use.



ASSEMBLY COMPLETE