



# HOMEBASE

## OUTDOOR PLANT SHELVES

### INSTRUCTION MANUAL

**IMPORTANT:** Please read these instructions before using the product and retain for future use.

HHGL Limited, MK9 1BA  
HHGL (ROI) Limited, D02 X576

# ASSEMBLY INSTRUCTIONS

## BEFORE YOU BEGIN

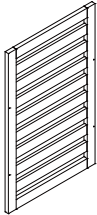


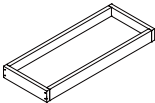
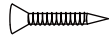
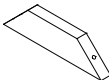
Please check that you have all of the parts before starting assembly.  
A full list of the parts and step-by-step instructions are given below.

## NOTE:

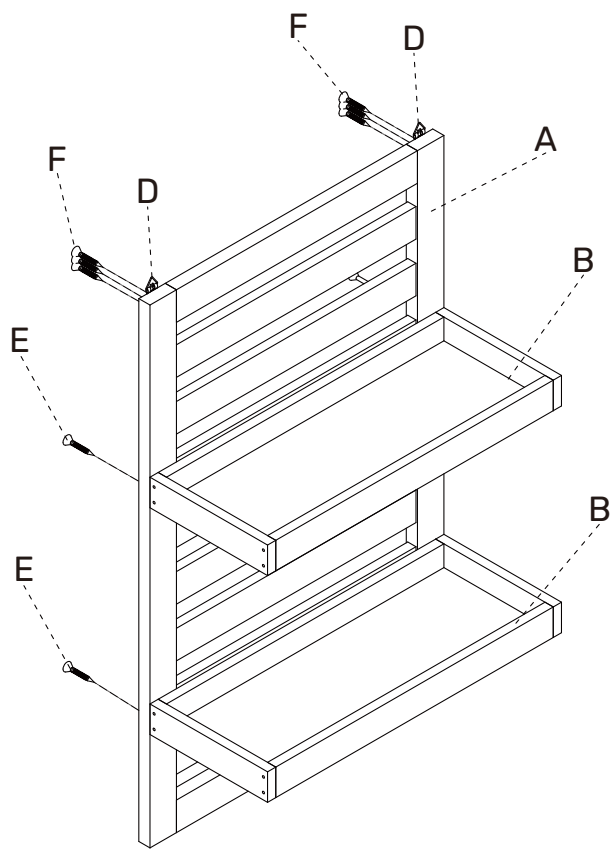
We do not recommend the use of a power drill/driver for inserting screws, as this could damage the product. Only use a hand screwdriver.



## PARTS LIST

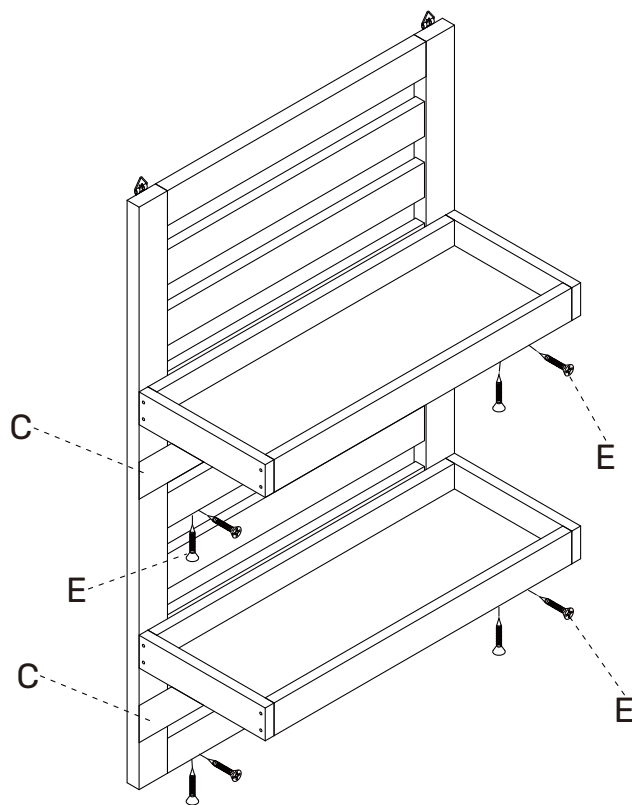
PART REF.	DESCRIPTION	DIAGRAM	QTY.	PART REF.	DESCRIPTION	DIAGRAM	QTY.
A	Shelf		x 1	D	Clasps		x 2
				E	Screws (3.5*35)		x 12
B	Trays		x 2	F	Screws (3*18)		x 6
C	Support blocks		x 4				

1



- A x 1
- B x 2
- D x 2
- E x 4
- F x 6

2



- C x 4
- E x 8

Your shelves are now ready for use.