



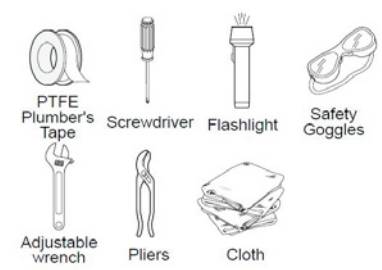
INSTALLATION MANUAL

Bensham 1895 Thermostatic Shower Column



VURTU is registered trade mark of Kinen UK Limited.
the company reserves the right to alter product
specifications without notice

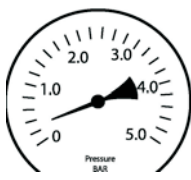
Tools needed




PTFE Plumber's Tape Screwdriver Flashlight Safety Goggles
Adjustable wrench Pliers Cloth

Dynamic Water Pressures

Min: 0.2 bar



Max: 50 bar



Maximum Static Pressure: 100 bar

Troubleshooting

Symptom	Cause	Remedy
No flow or low flow rate	Partially closed isolation valve.	Open isolation valve.
	Instantaneous water heater cycles on and off as flow rate or pressure is too low.	Increase water flow rate or pressure through system.
	Head of water is below the minimum distance required.	Refer to specification for minimum distance required.
	Hot or cold water being drawn off elsewhere causing pressure changes or instantaneous boiler temperature changes.	Do not use other water outlets when using the taps.
	Airlock or partial blockage in the supply pipework.	Flush through pipework to ensure removal of debris and any airlocks.
Water dripping from taps	This is normal for a short time after using the taps.	This is caused by residual water tension, the build up of water in the tap body.
	If water continues to drip, possibly due to the ceramic disc valves	Remove valves and clean, refer to 'Maintenance' section before starting any maintenance.
Taps do not turn on	Closed isolation valve.	Open isolation valve.
	Mains water supply turned off.	Turn on mains water supply.

1. NOTES FOR INSTALLATION

 **Warning:** Please read all the instructions completely before proceeding.

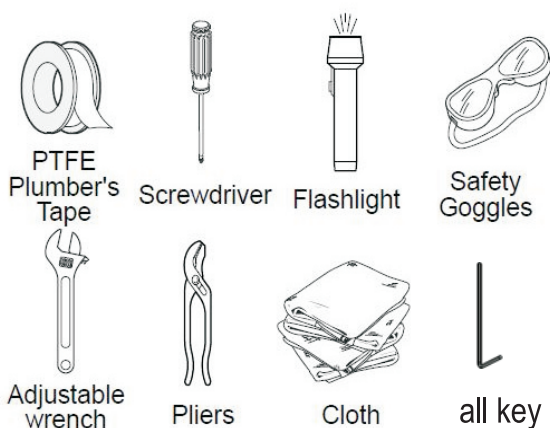
- 1) The installation must comply with the "Water Supply Regulations 1999 (Water Fittings) or any particular regulations and practices specified by the local water company.
- 2) Minimum and Maximum working pressure : 0.2 - 5 bar. If the pressure exceeds 5.0 bar, as pressure relief valve **MUST** be installed.
- 3) The shower valve must be installed on strong wall/surface which can support the weight of the valve.
- 4) Please do not connect hot and cold water supply lines in reverse. This could result in scalding.
- 5) The hot water temperature must not exceed 65°C. Exceeding 65° may cause scalding, the service life of your tap might be shortened, or the product might be damaged.
- 6) The temperature marking is pre-set at the factory. The temperature can vary +/- 2 degrees which is within normal safety standards.
- 7) The working pressure of both cold and hot water must not vary by more than 20%.

2. SHUT OFF WATER SUPPLY

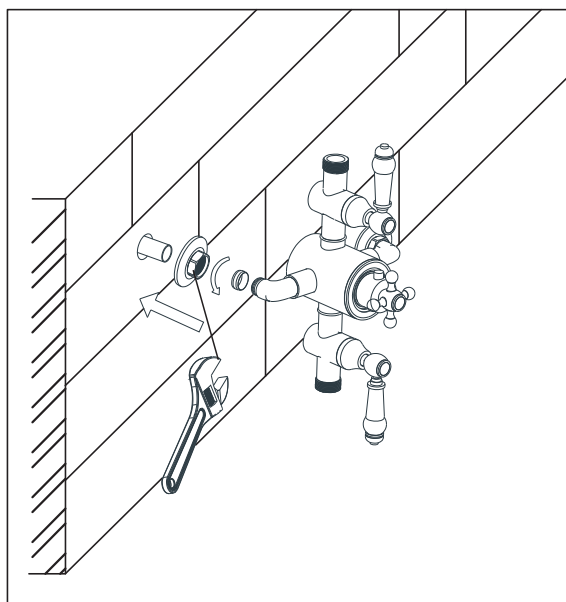
Locate water supply inlets and shut off the water supply valves. These are usually found under the sink or near the water meter.

3. INSTALLATION

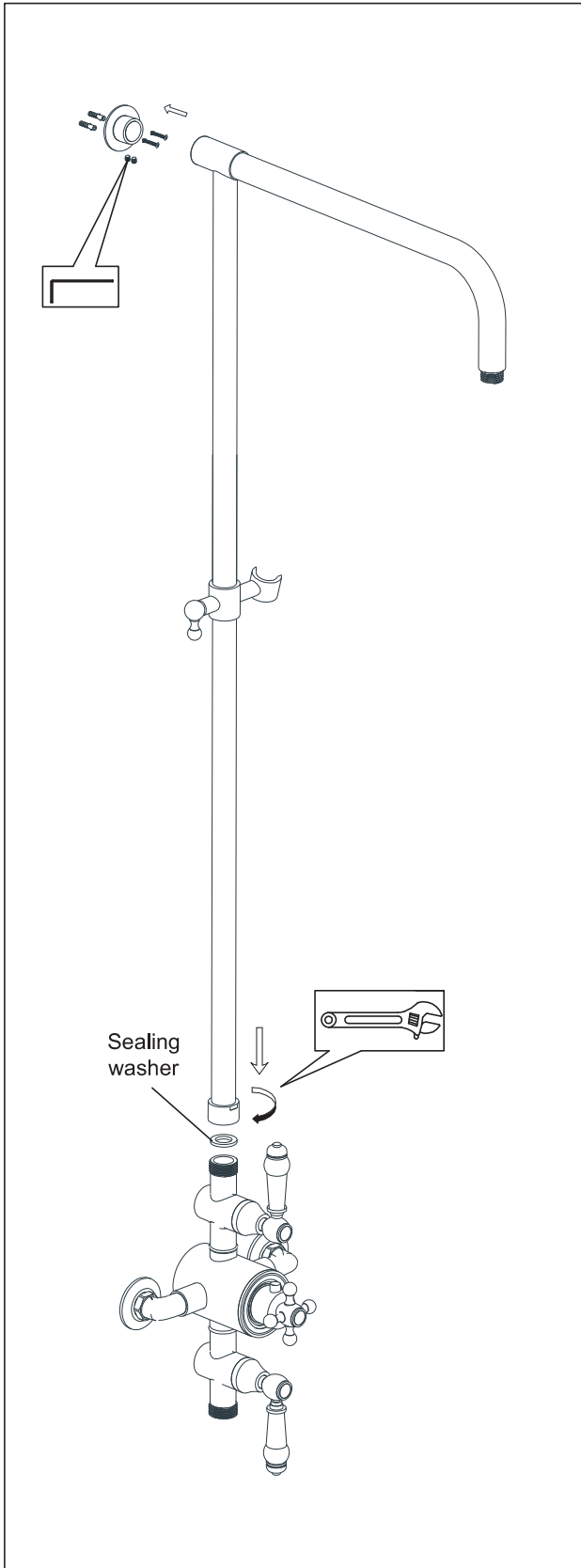
Tools Recommended



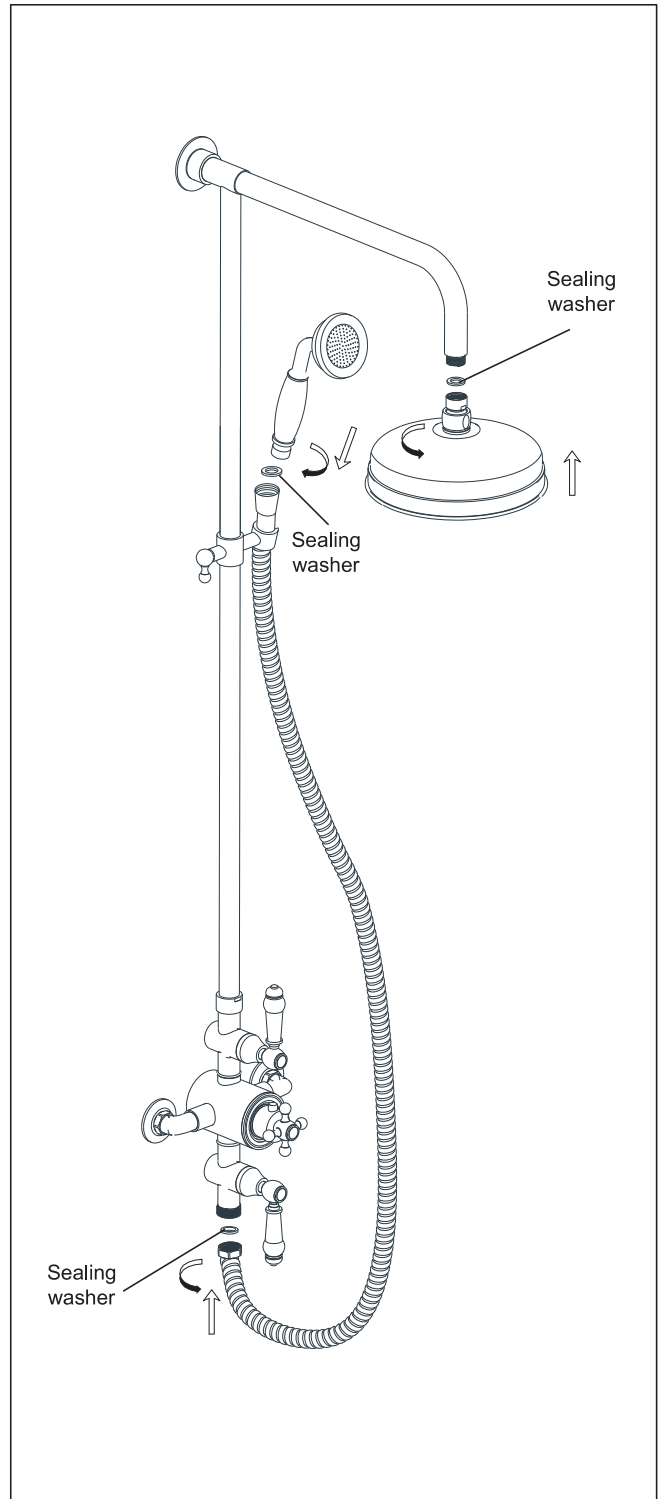
4. INSTALLATION OF THERMOSTATIC VALVE



5. INSTALLATION OF RISER RAIL.



6. INSTALLATION OF SHOWER HOSE, OVERHEAD & HANDSET.



7. CLEANING INSTRUCTIONS

For valve, rails and handsets, use only a soft damp cloth to clean and shine. Use of polish, detergents, abrasive cleaners, organic solvents or acid may cause damage. Use of other than a soft damp cloth will nullify our warranty.

