

BATHROOM  
WALL SHELF  
& HANGING  
TOWEL RAIL

**HOMEBASE**  
EDIT

## INSTRUCTION MANUAL

IMPORTANT: Please read these instructions before  
using the product and retain for future use.

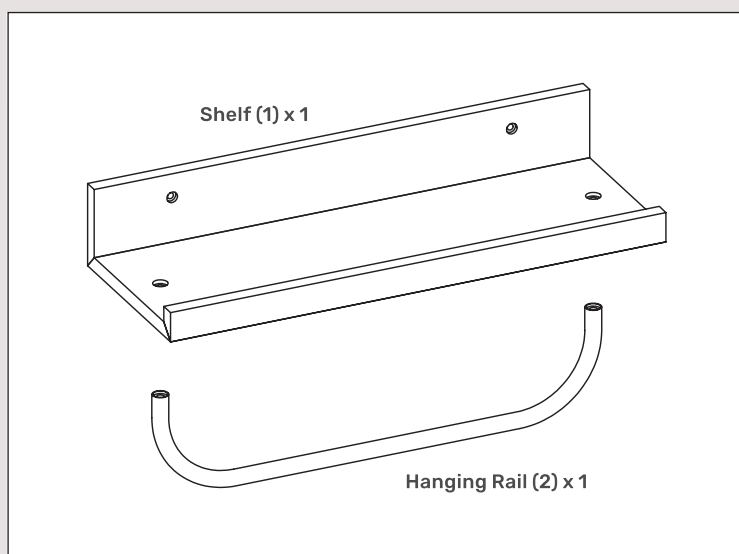
HHGL Limited, MK9 1BA,  
HHGL (ROI) Limited, D02 X576

# PARTS LIST

## HARDWARE



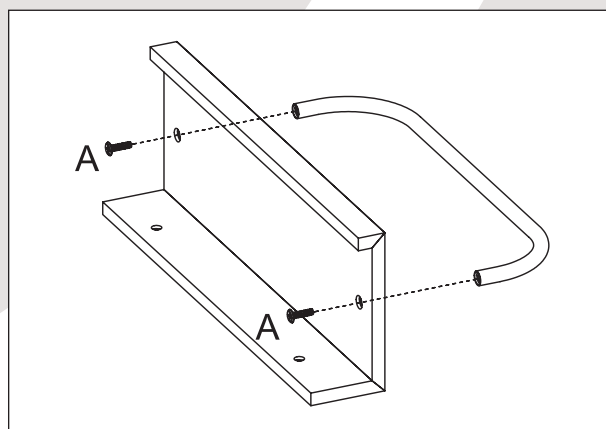
## ELEMENTS



## ASSEMBLY

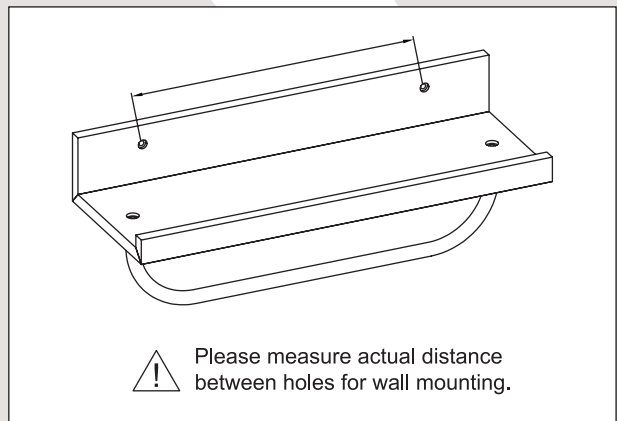
### Step 1

1. Attach the hanging rail to the shelf using 2 x screws (A).



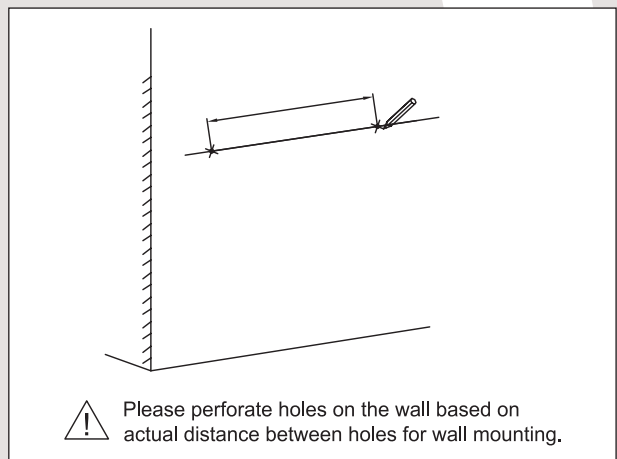
## Step 2

1. Measure the distance between the mounting holes on the back of the shelf.



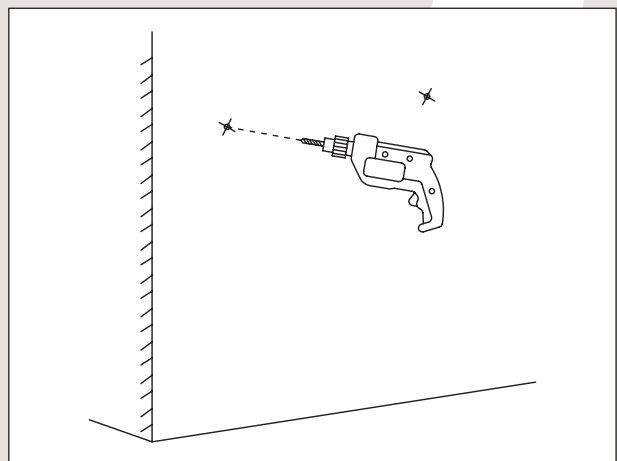
## Step 3

1. Using a pencil, mark the holes on the wall based on your measurements from Step 2. Use a spirit level to ensure the markings are level.



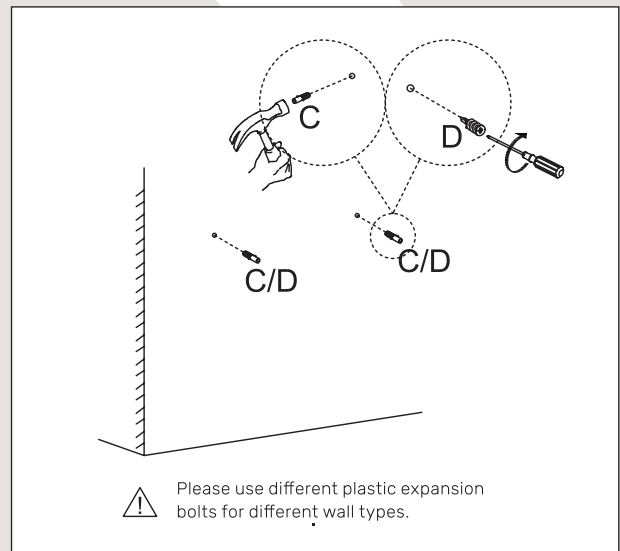
## Step 4

1. Using a 6mm drill bit, drill 2 x holes in the wall through the markings you made in Step 3.



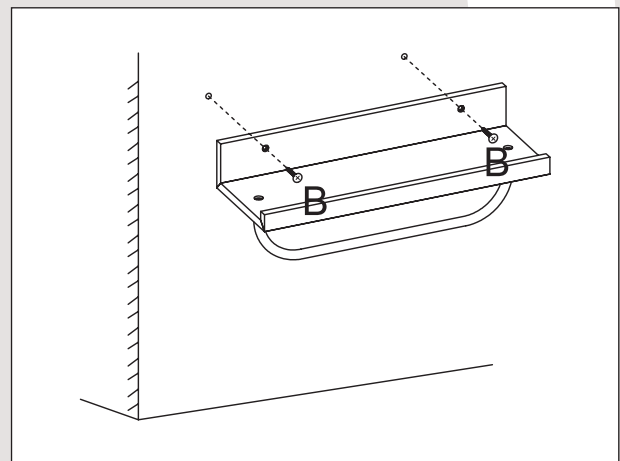
## Step 5

1. Insert the relevant wall plugs (C/D) depending on your wall surface.



## Step 6

1. Secure the shelf to the wall using 2 x screws (B).



## Step 7

1. Cover screw heads using 4 x stickers (E).

