

3 TIER  
BATHROOM  
STORAGE CADDY

**HOMEBASE**  
EDIT

INSTRUCTION MANUAL

IMPORTANT: Please read these instructions before  
using the product and retain for future use.

HHGL Limited, MK9 1BA,  
HHGL (ROI) Limited, D02 X576

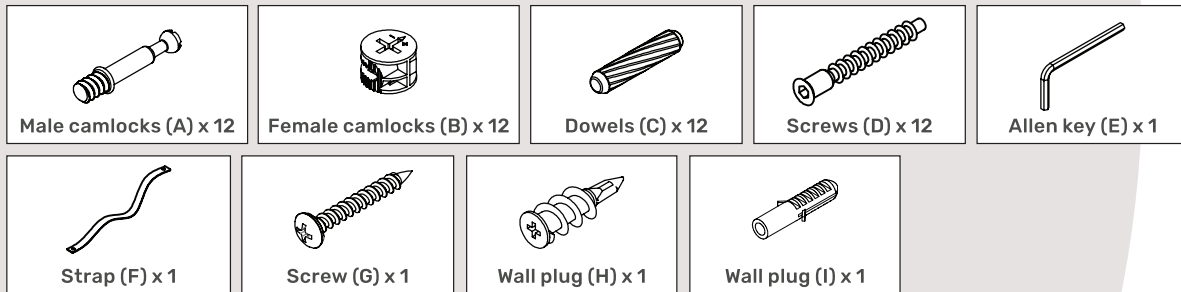
# SAFETY AND CARE ADVICE

THIS PRODUCT SHOULD BE PERMANENTLY ANCHORED TO THE WALL OR OTHER SUITABLE SURFACE TO AVOID DAMAGE OR SERIOUS INJURY.

To help avoid any damage or serious injury, this product includes a wall strap to prevent toppling. We strongly recommend that this product be permanently fixed to the wall or other suitable surface. Fixing hardware is not included since different surface materials require different attachments. Please seek professional advice if you are in doubt about which fixing hardware to use. Regularly check your wall strap is securely fixed to the wall or other suitable surface. If fixings become loose, please re-tighten.

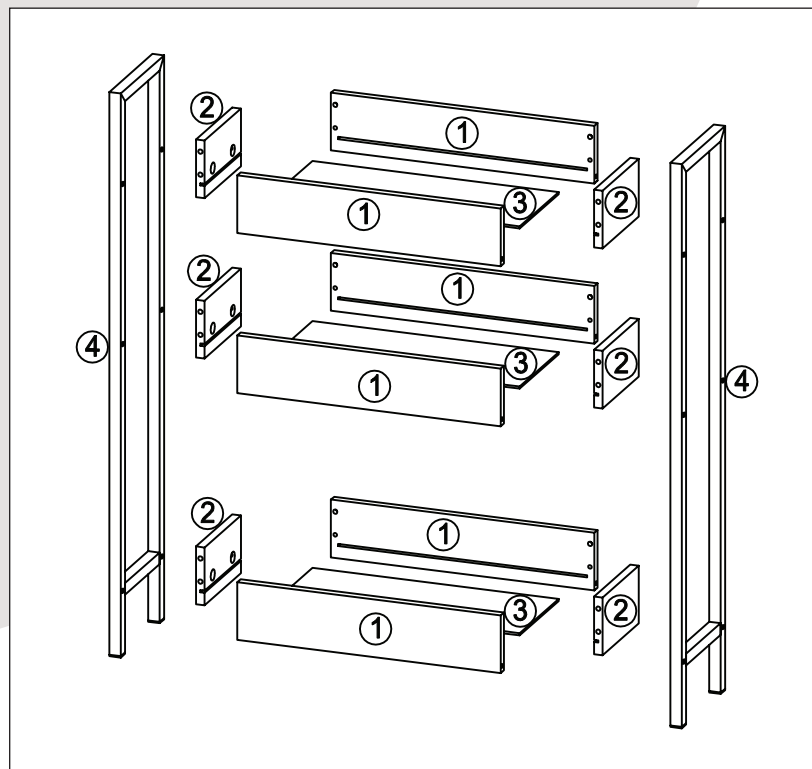
# PARTS LIST

## HARDWARE



## ELEMENTS

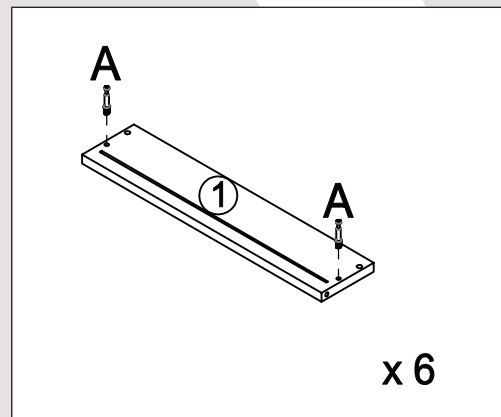
- Large basket panels (1) x 6
- Small basket panels (2) x 6
- Bottom panel (3) x 3
- Upright frames (4) x 2



# ASSEMBLY

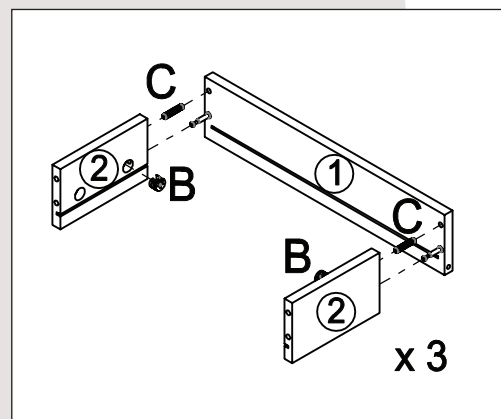
## Step 1

1. Screw 2 x male camlocks (A) into each of the six large basket panels (1).



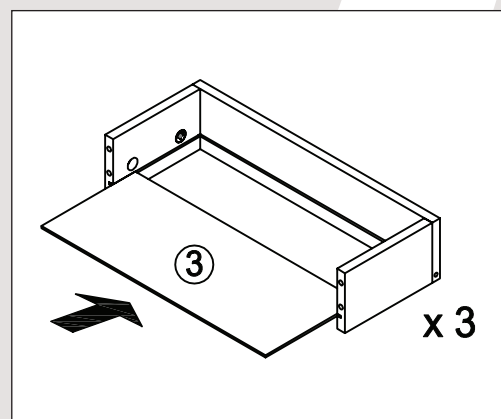
## Step 2

1. Insert 2 x wooden dowels (C) into three of the large basket panels.
2. Connect 2 x small basket panels (2) to the large basket panels and secure with female camlocks (B). Ensure that the slots align on the inside of the panels.



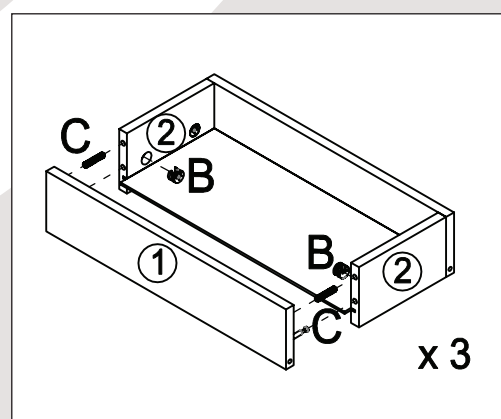
## Step 3

1. Insert bottom panel (3) into the slots of each basket.



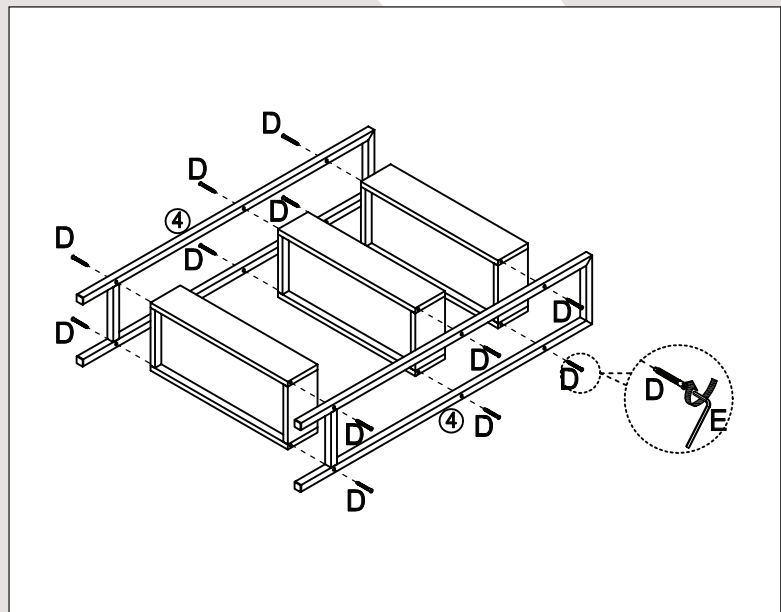
## Step 4

1. Insert 1 x dowel rod into each of the small baskets panels (2).
2. Connect the remaining large basket panel (1) to the basket, ensuring the bottom panel (3) aligns with the slots in large panels. Secure with female camlocks (B).
3. Repeat the same steps for the remaining two baskets.



## Step 5

1. Secure both upright frames (4) to the baskets using the allen key (E) and 12 x screws (D).



## Step 6

1. Mark the wall strap hole on the wall using a pencil.
2. Using a 6mm drill bit, drill a hole in the wall using the mark you made in step 6.1.
3. Insert relevant wall plug (H or I), depending on surface. Lightly tap into place using a hammer if required.
4. Loop wall strap (F) around either upright frame (4) and secure your unit to the wall using 1 x screw (G).

