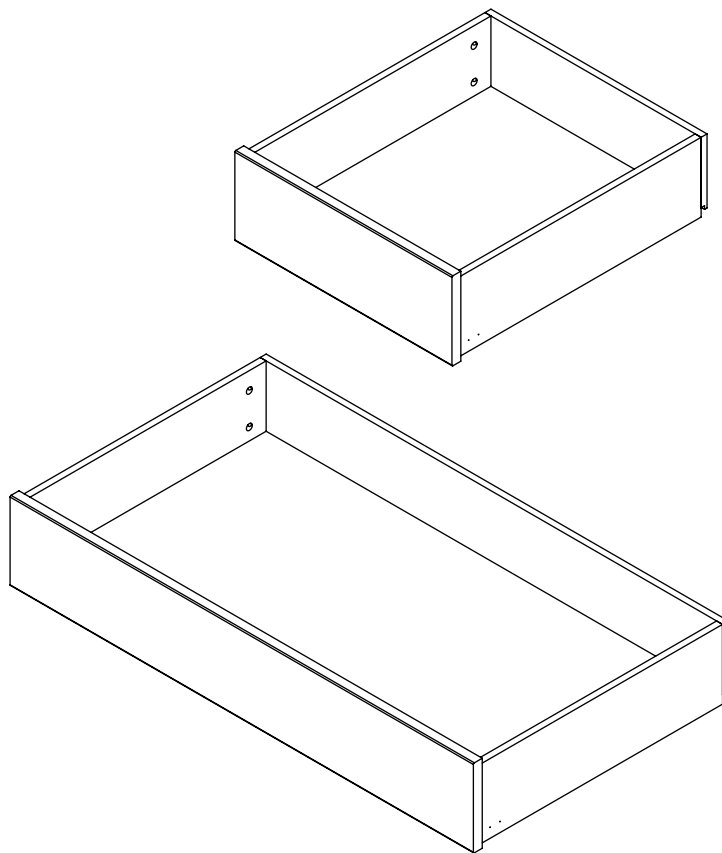


# Fitted Bedrooms: Internal Wardrobe Drawer (Single/Double)

Assembly Instructions - Please keep for future reference



## Dimensions

Height - 15.8cm  
Width - 35.4 / 80.4cm  
Depth - 51.6cm

**Important – Please read these instructions fully before starting assembly**

If you need help or have damaged or missing parts, please return to your local store.



# Safety and Care Advice

**Important** – Please read these instructions fully before starting assembly

- Check you have all the components and tools listed on the following pages.
- Remove all fittings from the plastic bags and separate them into their groups.
- Keep children and animals away from the work area, small parts could choke if swallowed.
- Make sure you have enough space to lay out the parts before starting assembly.

- During assembly do not stand or put weight on the product, this could cause damage.
- Assemble the product as close to its final position (in the same room) as possible.
- Assemble on a soft, level surface to avoid damaging the unit or your floor.
- Parts of the assembly will be easier with 2 people.



- To reduce the likelihood of damaging your product, please ensure that your power drill is set on a low torque setting.

## Care and maintenance

- Only clean using a damp cloth and mild detergent, do not use bleach or abrasive cleaners.
- From time-to-time check that there are no loose screws on this product.
- This product should not be discarded with household waste. Take to your local authority waste disposal centre.

## Handy hints

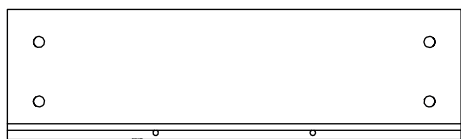
- Assemble all parts and bolts loosely during assembly, only once the product is complete should you fully tighten the bolts.
- Regularly check and ensure that all bolts and fittings are tightened properly.

**Note:** If required, the next page can be cut out and used as reference throughout the assembly. Keep this page with these instructions for future reference.

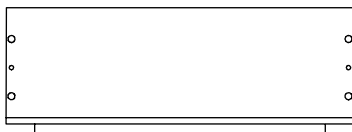
# Components - Panels

If you have damaged or missing components, please return to your local store.

Please check you have all the panels listed below



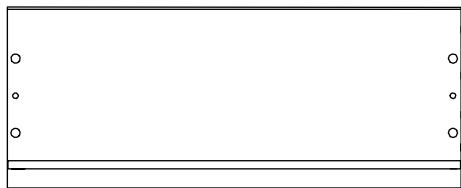
**1** Side panels x 2 (14 x 48.8cm)



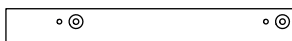
**2** Drawer back panel x 1  
(14 x 35.2cm for internal single robe drawer)  
(14 x 80.2cm for double internal drawer)



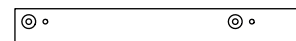
**4** Drawer bottom panel x 1  
(34.0 x 50.2cm for internal single robe drawer)  
(79.0 x 50.2cm for double internal drawer)



**3** Drawer front panel x 1  
(15.8 x 35.4cm for internal single robe drawer)  
(15.8 x 80.4cm for double internal drawer)



**5** Right spacer panel x 1  
(4.0 x 31.5cm)


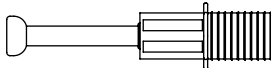


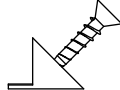
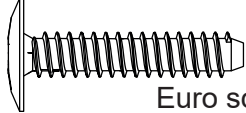


**6** Left spacer panel x 1  
(4.0 x 31.5cm)

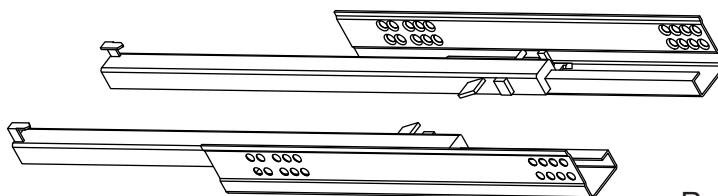
# Components - Fittings

Please check you have all the fittings listed below

**Note:** The quantities below are the correct amount to complete the assembly. In some cases more fittings may be supplied than are required.

<p><b>A</b> </p> <p>Wooden dowels x 4</p>	<p><b>B</b> </p> <p>Metal dowels x 8</p>	<p><b>C</b> </p> <p>Euro screws x 4</p>
<p><b>D</b> </p> <p>Locking nuts x 8</p>	<p><b>E</b> </p> <p>Back fittings x 4</p>	<p><b>F</b> </p> <p>Euro screws x 4</p>

**G**



Rails set x 1

## Tools required

 Phillips screwdriver (medium & large)

 Flatblade screwdriver (medium)

**Ruler** - Use this ruler to help correctly identify the screws

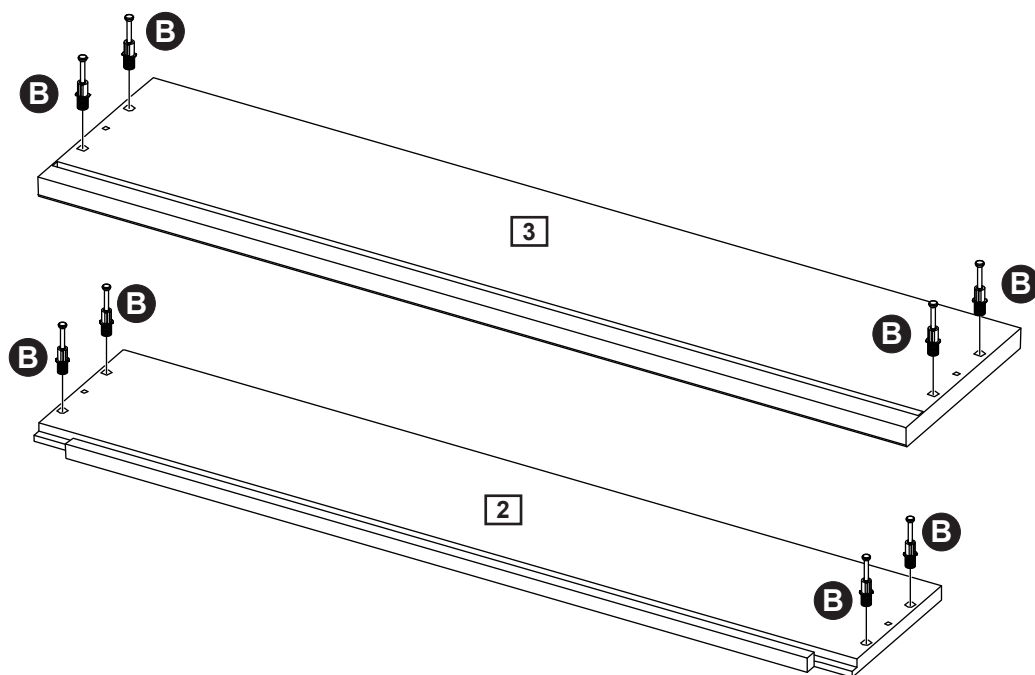


# Assembly Instructions

## Step 1

### Preparing panels

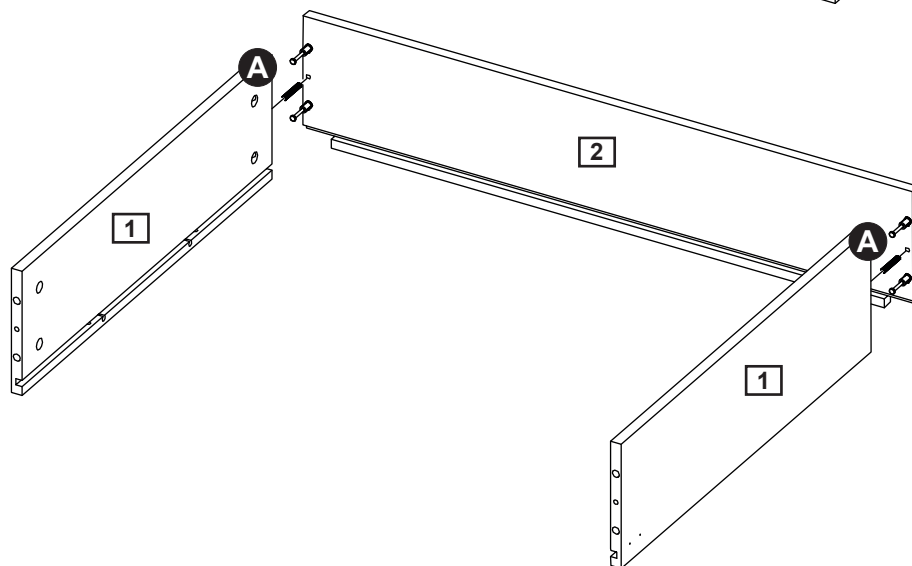
Screw 8 metal dowels **B** into drawer front panel **3** and back panel **2**.



## Step 2

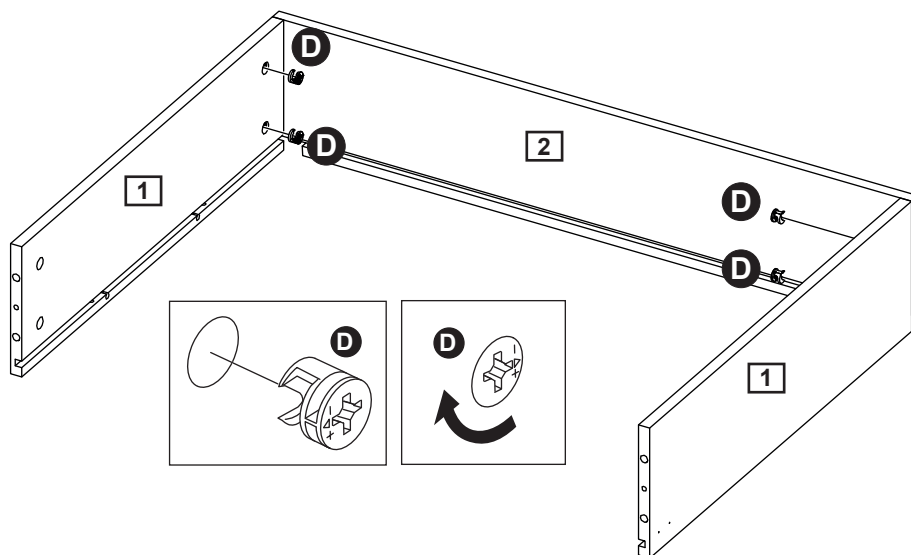
### Fixing drawer structure

Insert 2 wooden dowels **A** into drawer side panels **1**. Then connect them to drawer back panel **2**.



## Step 3

Insert 4 locking nuts **D** into drawer side panels **1**, as shown. Use a screwdriver to turn locking nuts **D** clockwise to lock.

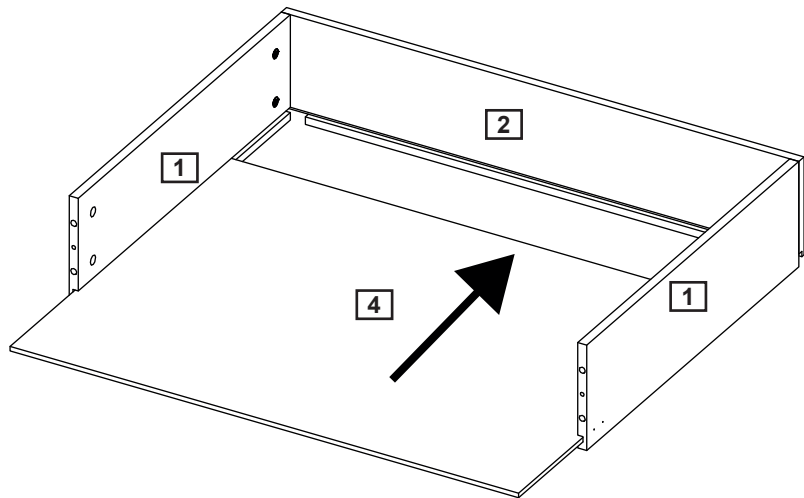


# Assembly Instructions

## Step 4

### Placing bottom panel

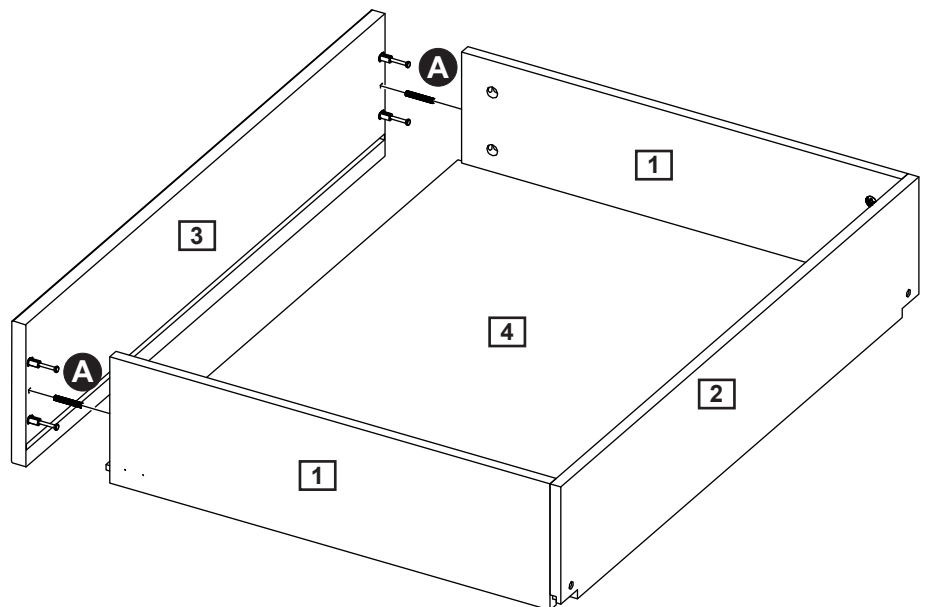
Slide drawer bottom panel **4** into grooves.



## Step 5

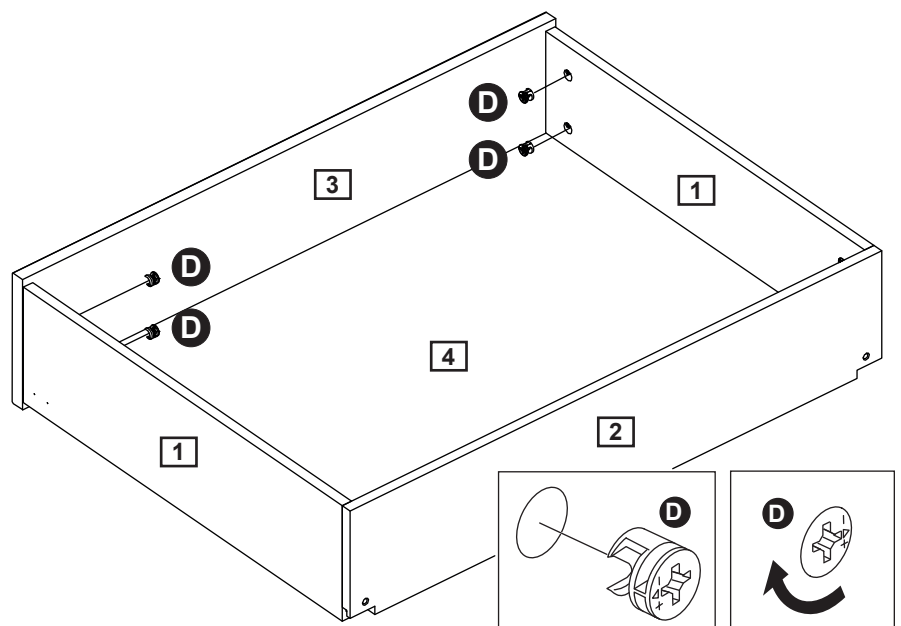
### Fixing front panel

Insert 2 wooden dowels **A** on drawer side panels **1**, as shown. Then connect it to front panel **3**.



## Step 6

Insert 4 locking nuts **D** into drawer side panels **1**, as shown. Use a screwdriver to turn locking nuts **D** clockwise to lock.

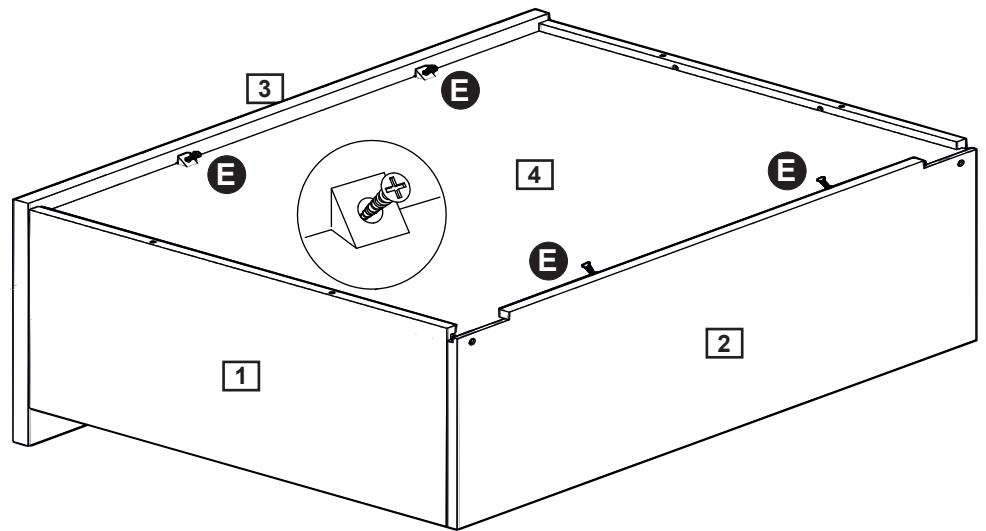


# Assembly Instructions

## Step 7

### Fixing bottom panel

Carefully fix drawer bottom panel **4** using 4 back fittings **E**. Slot panel into the grooves on drawer back **2** and front panel **3**. Once placed carefully secure by tightening the screw.



## Step 8

### Fixing spacer panels for rails

Fix spacer panels **5** and **6** to the wardrobe side panels, using 2 **F** screws for each one.



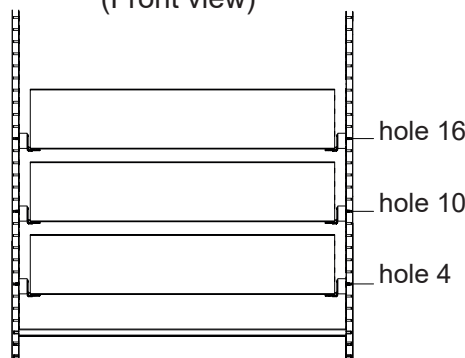
#### ATTENTION:

To avoid obstruction with door hinges, install the drawer starting **from the 4th hole up from the base**, as shown.

**Do NOT use the following holes:**

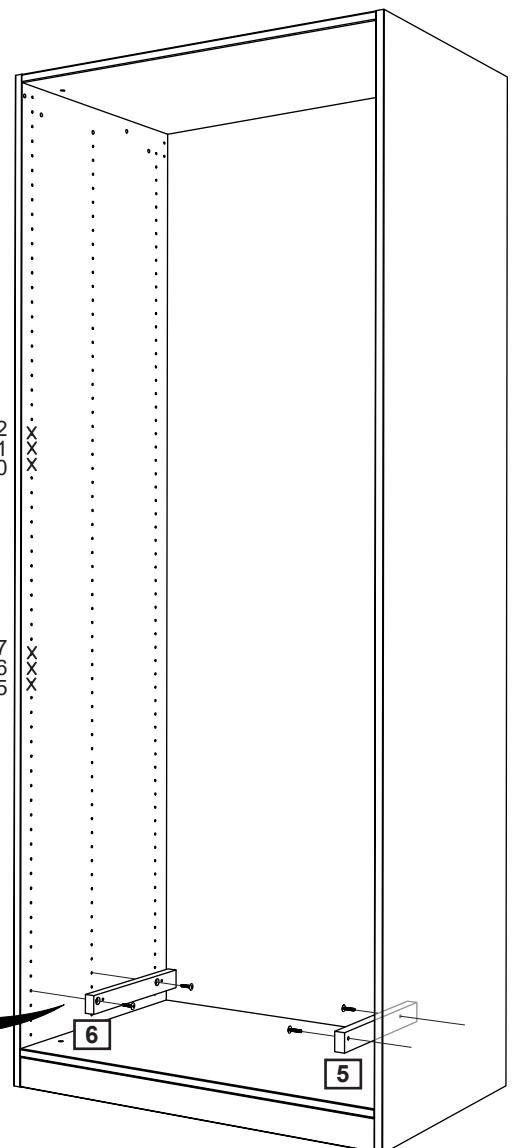
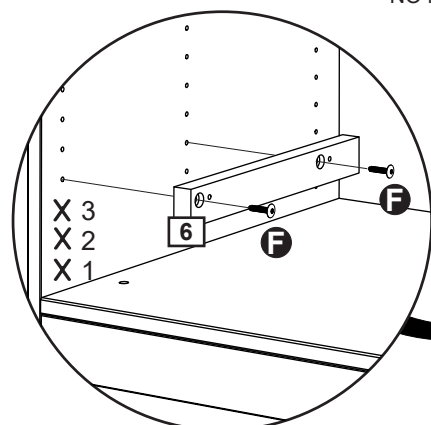
**1, 2, 3, 25, 26, 27, 40, 41, 42**

### DRAWER LAYOUT EXAMPLE: (Front view)



NO hole 42  
NO hole 41  
NO hole 40

NO hole 27  
NO hole 26  
NO hole 25

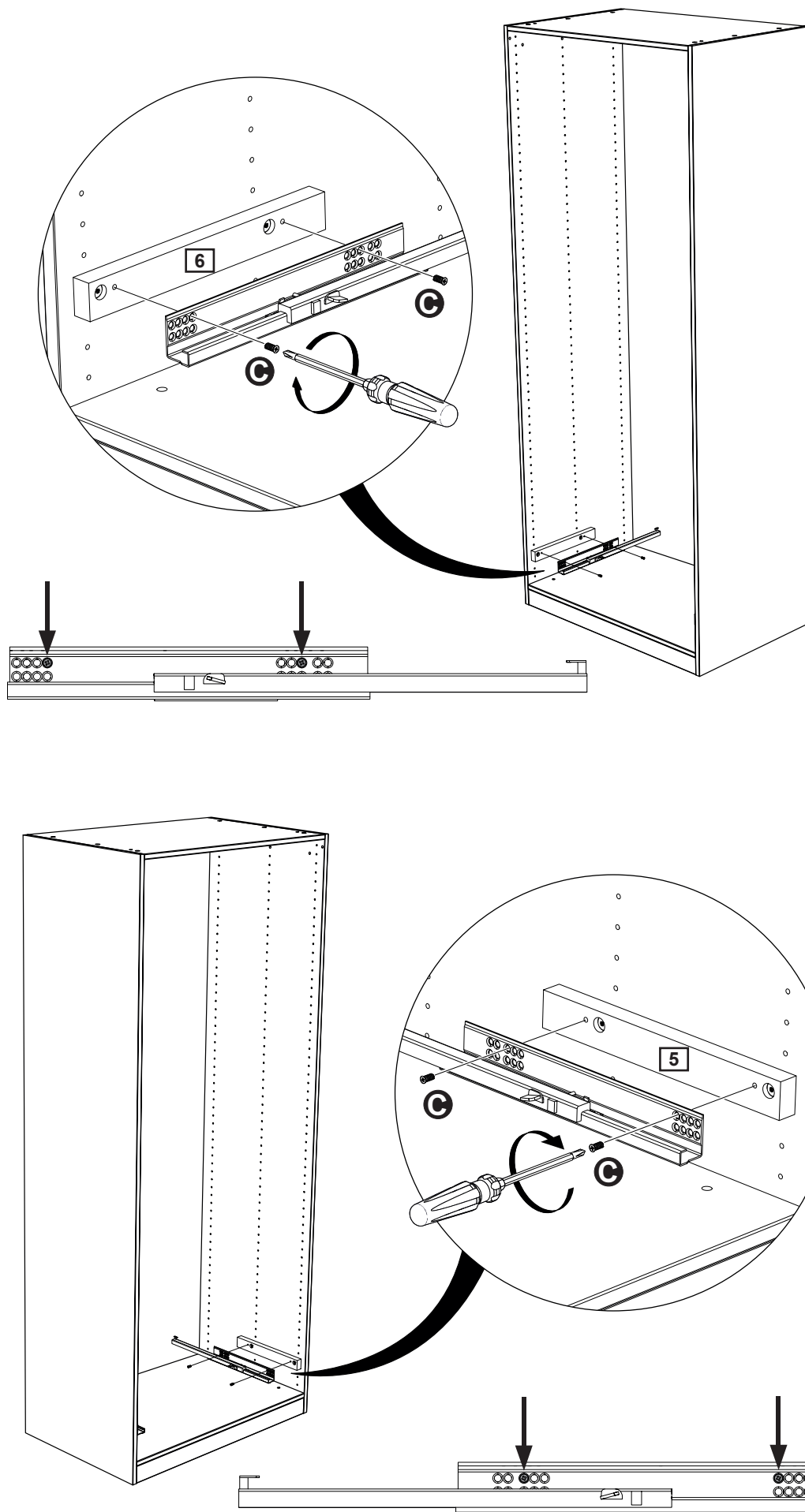


# Assembly Instructions

## Step 9

### Fixing rails

Fix rails **G** to spacers **5** and **6**, using 2 screws **C** for each.

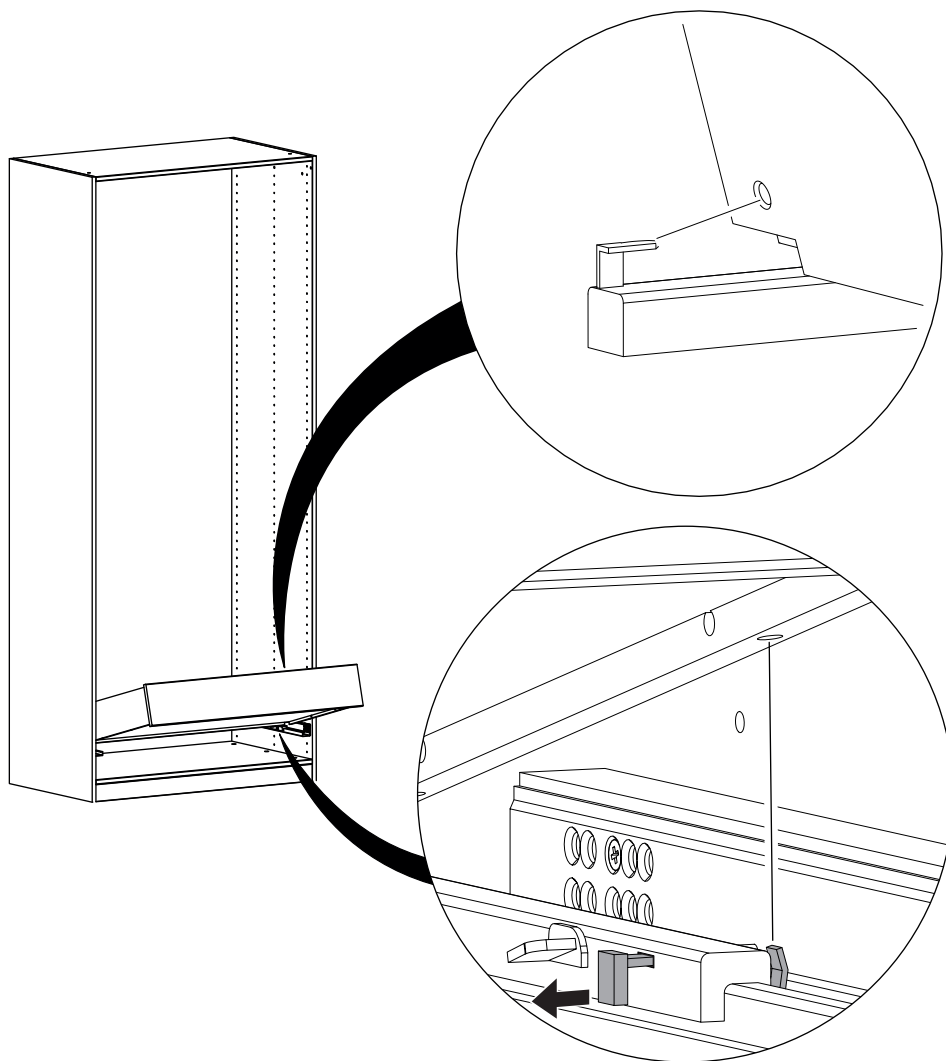


# Assembly Instructions

## Step 10

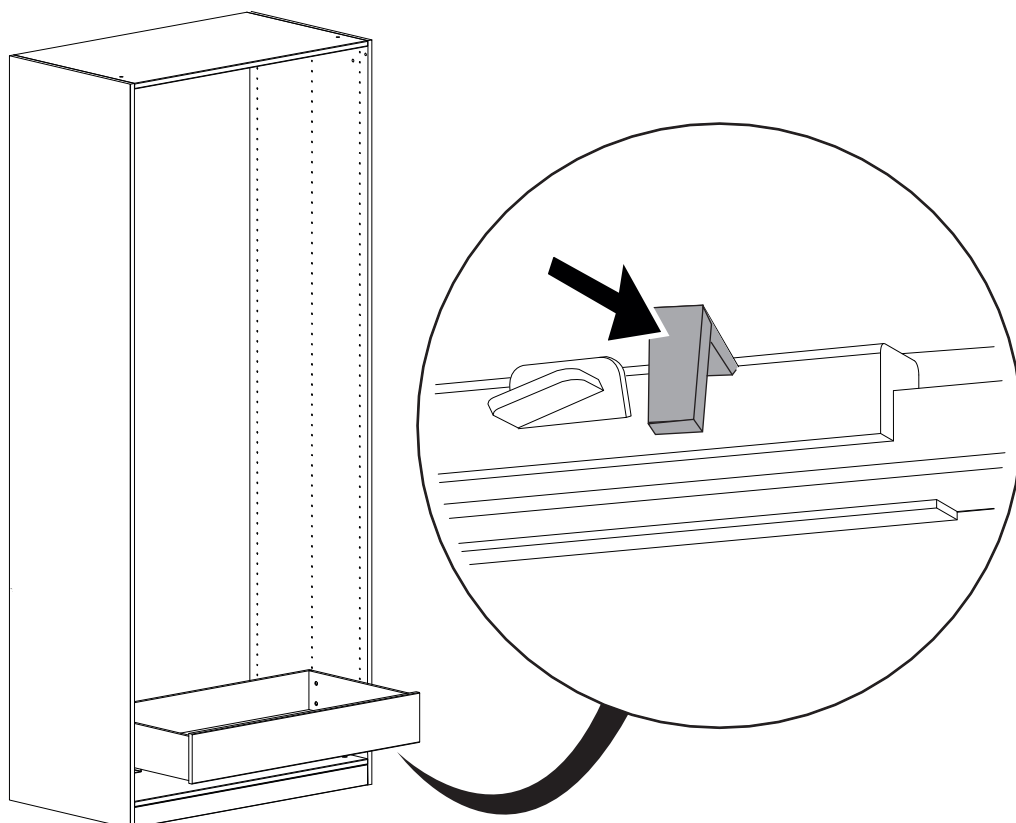
### Fitting drawer

Slide drawer box onto rails until it locks into position. Pull out the locking mechanism to allow the drawer to take position. Be sure that drawer box fits correctly, as shown.



## Step 11

To prevent the drawer from lifting off the runner it must be secured with the locking mechanism. To secure, you will need to push the pin back towards the runner.



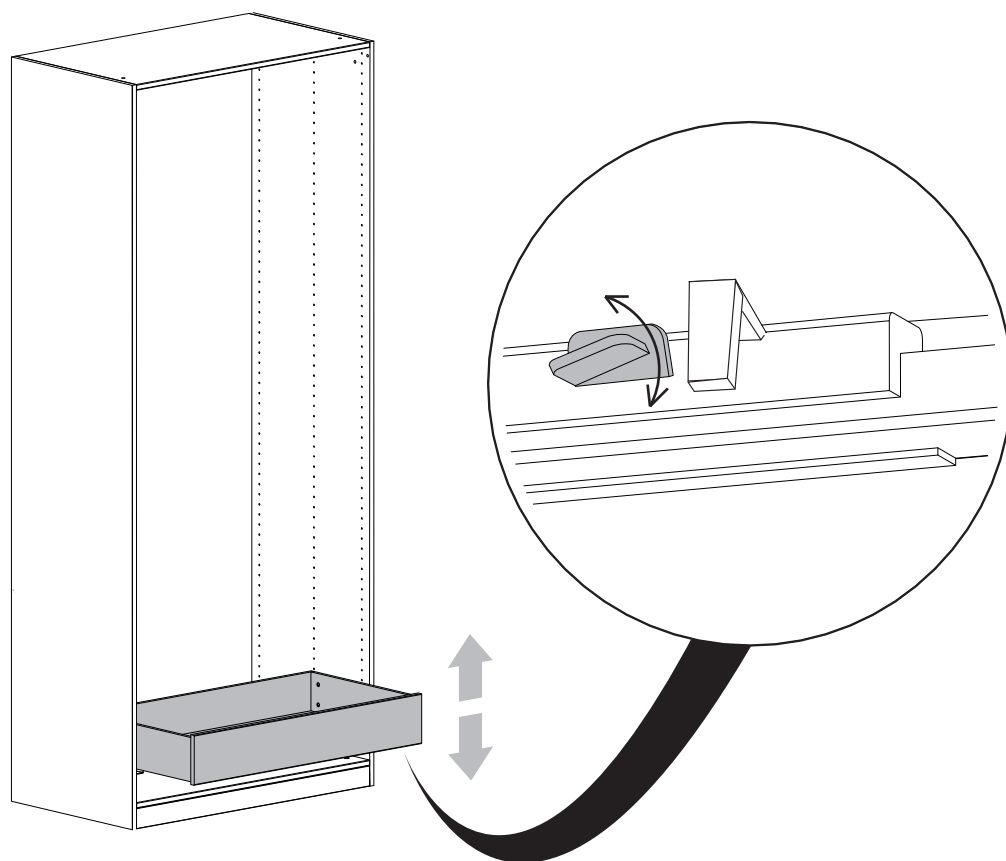


# Assembly Instructions

## Step 12

### Drawer height adjustment

If you want to lift or to lower the drawer, please rotate the specific paddle on the rails. (Make the same gradual adjustment on both the rails).



# Assembly Instructions

## Drawer on divider storage

35.4cm drawers can also be installed on the divider storage unit, once inside the wardrobe.

Repeat the previous steps for the drawer installation. (Return to step 8).

Avoid installing the drawer spacers any higher than the 5th hole under the shelf, to ensure you don't obstruct the hinges.



### ATTENTION:

#### Wardrobe side panel:

To avoid obstruction with door hinges, install the drawer starting **from the 4th hole up from the base**, as shown previously (Step 8).

**Do NOT use the following holes:**

**1, 2, 3, 25, 26, 27, 40, 41, 42**

