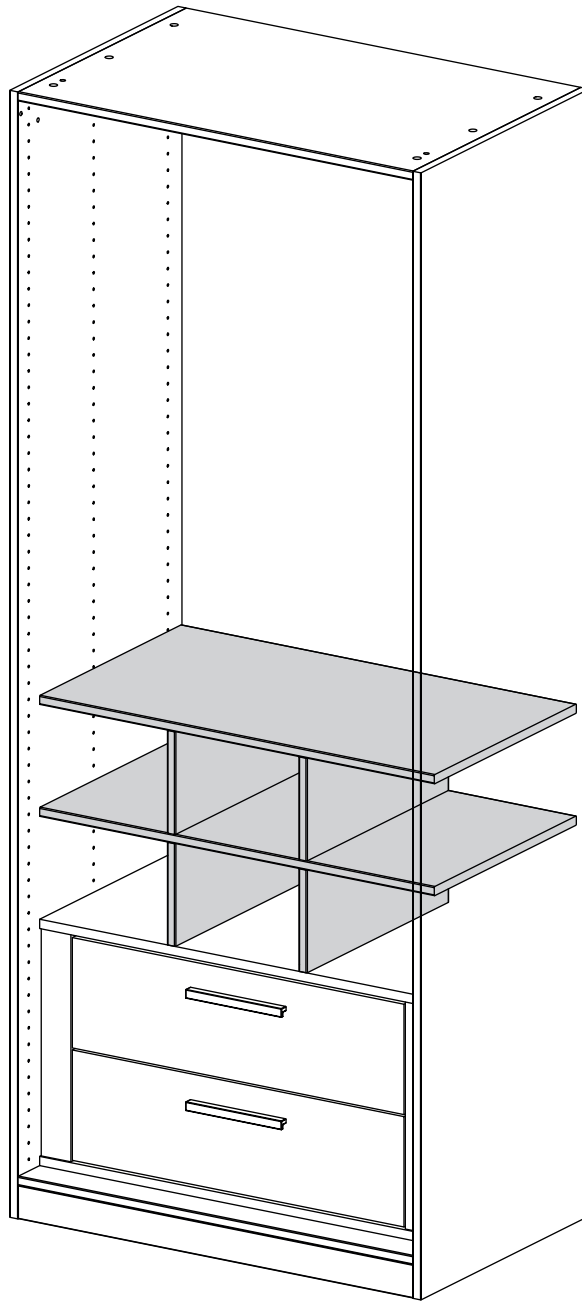


Fitted Bedrooms: Pigeon Hole

Assembly Instructions - Please keep for future reference



Dimensions

Height - 43.6cm

Width - 86.4cm

Depth - 49.0cm

Important – Please read these instructions fully before starting assembly

If you need help or have damaged or missing parts, please return to your local store.



Safety and Care Advice

Important – Please read these instructions fully before starting assembly

- Check you have all the components and tools listed on the following pages.
- Remove all fittings from the plastic bags and separate them into their groups.
- Keep children and animals away from the work area, small parts could choke if swallowed.
- Make sure you have enough space to lay out the parts before starting assembly.

- During assembly do not stand or put weight on the product, this could cause damage.
- Assemble the product as close to its final position (in the same room) as possible.
- Assemble on a soft, level surface to avoid damaging the unit or your floor.
- Parts of the assembly will be easier with 2 people.



- To reduce the likelihood of damaging your product, please ensure that your power drill is set on a low torque setting.

Care and maintenance

- Only clean using a damp cloth and mild detergent, do not use bleach or abrasive cleaners.
- From time-to-time check that there are no loose screws on this product.
- This product should not be discarded with household waste. Take to your local authority waste disposal centre.

Handy hints

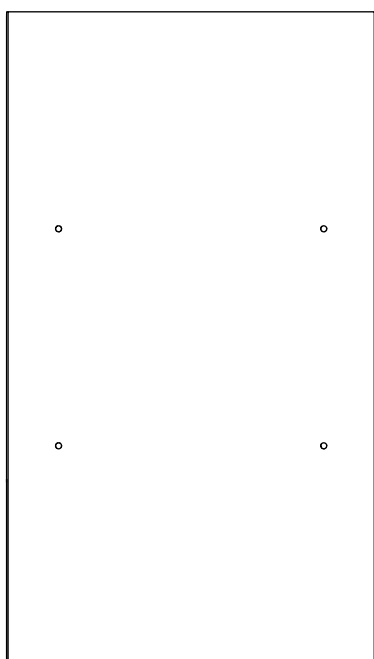
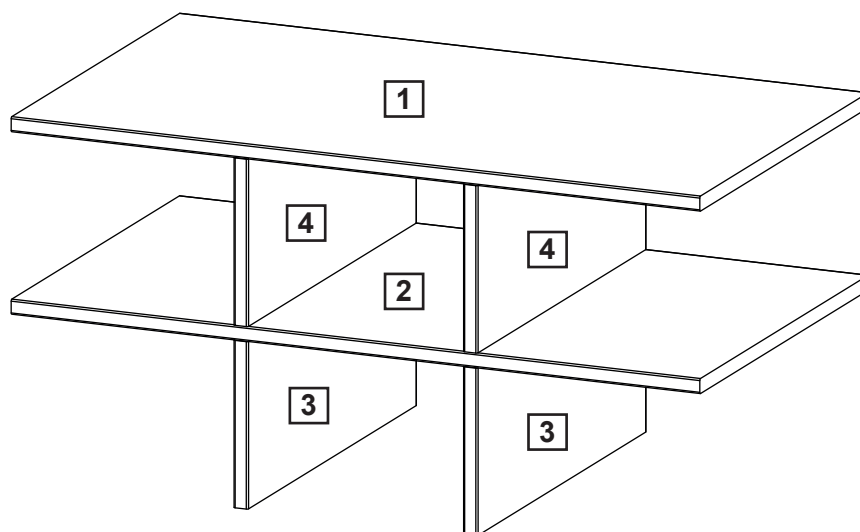
- Assemble all parts and bolts loosely during assembly, only once the product is complete should you fully tighten the bolts.
- Regularly check and ensure that all bolts and fittings are tightened properly.

Note: If required, the next page can be cut out and used as reference throughout the assembly. Keep this page with these instructions for future reference.

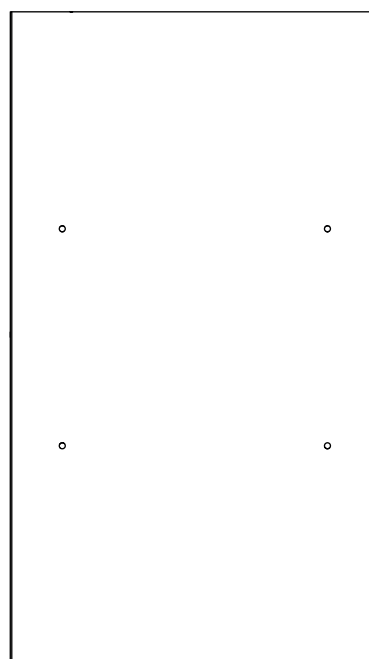
Components - Panels

If you have damaged or missing components, please return to your local store.

Please check you have all the panels listed below



1 Top panel x 1
(86.4 x 49cm)



2 Shelf (holes on both sides) x 1
(86.4 x 49cm)



3 Lower divisions x 2
(20 x 49cm)



4 Upper divisions (holes on both sides) x 2
(20 x 49cm)

Components - Fittings

Please check you have all the fittings listed below

Note: The quantities below are the correct amount to complete the assembly. In some cases more fittings may be supplied than are required.

A



Wooden dowels
L30mm x 4

B



Wooden dowels
L60mm x 4

Ruler - Use this ruler to help correctly identify the screws



Assembly Instructions

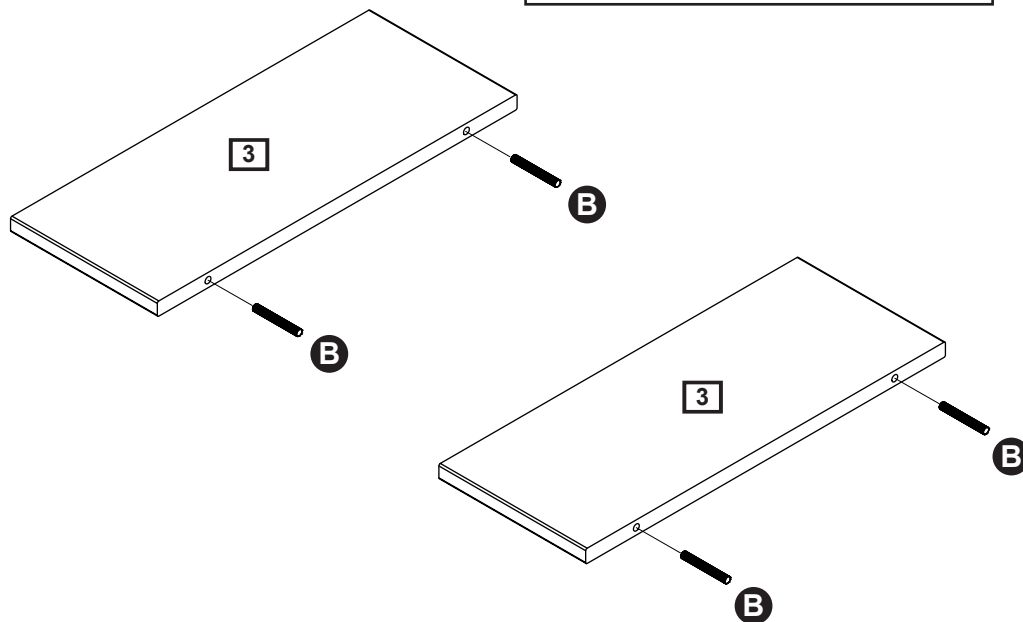
Step 1

Preparing lower division panels

Insert 2 wooden dowels **B** into each lower division panel **3**.

Note:

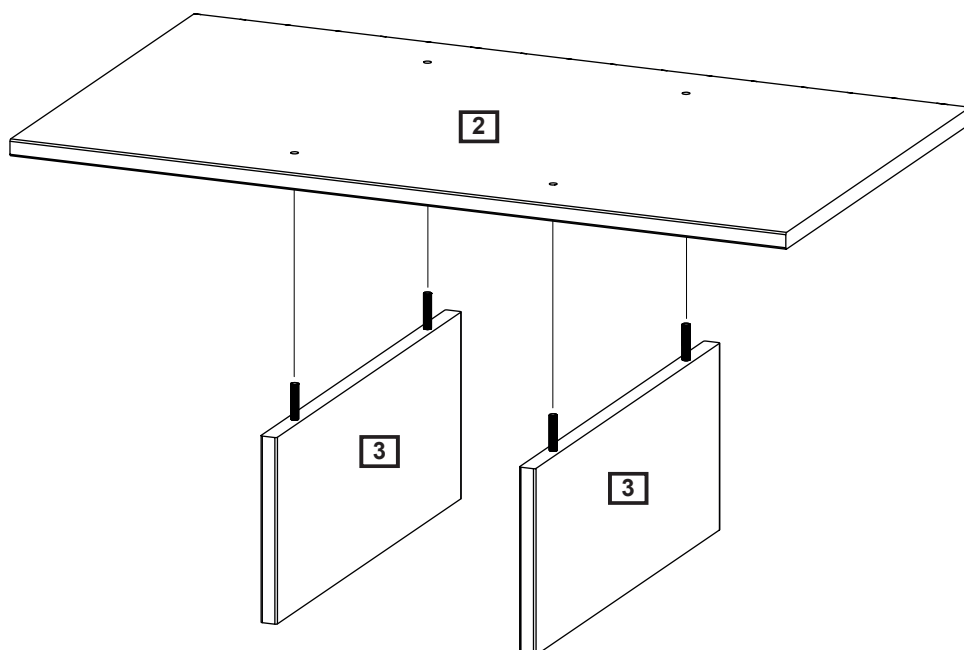
You can choose to assemble this unit directly inside the wardrobe, or separately and then place it.



Step 2

Fixing lower divisions to shelf

Connect the shelf **2** with the lower divisions **3** using the dowels.

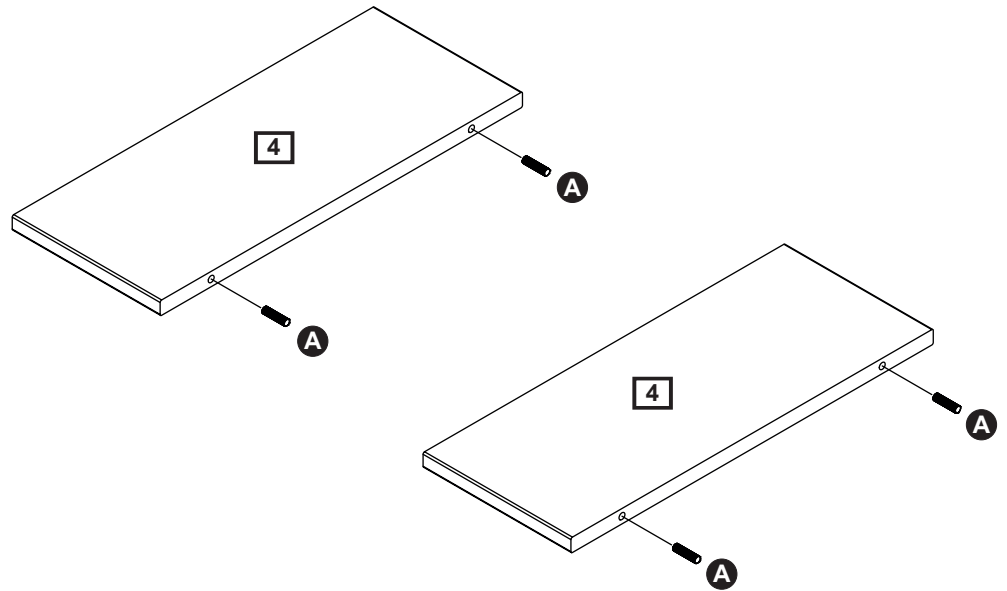


Assembly Instructions

Step 3

Preparing upper division panels

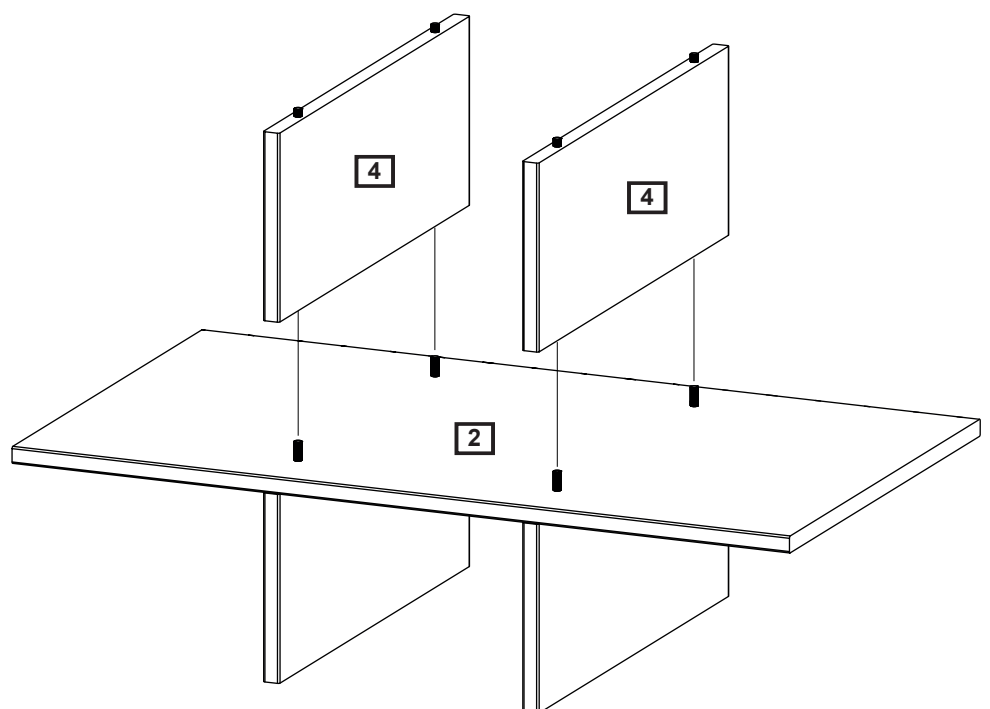
Insert 2 wooden dowels **A** into each upper division panel **4**.



Step 4

Fixing upper divisions to shelf

Connect the shelf **2** with the upper divisions **4** using the dowels.

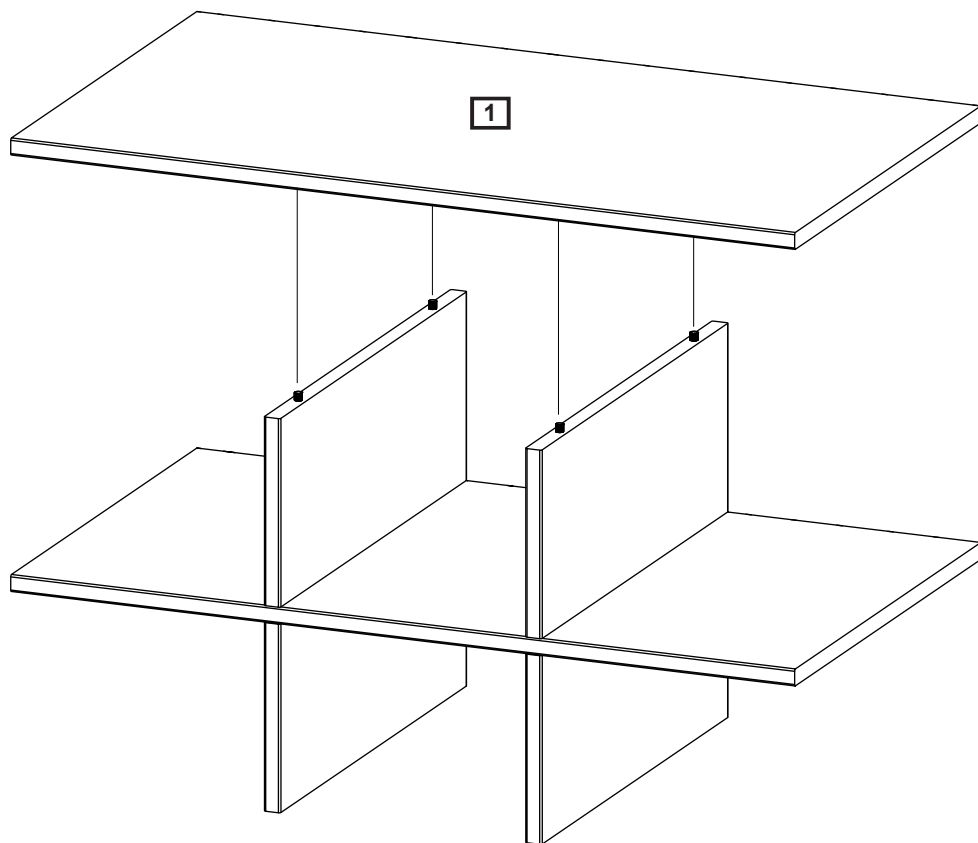


Assembly Instructions

Step 5

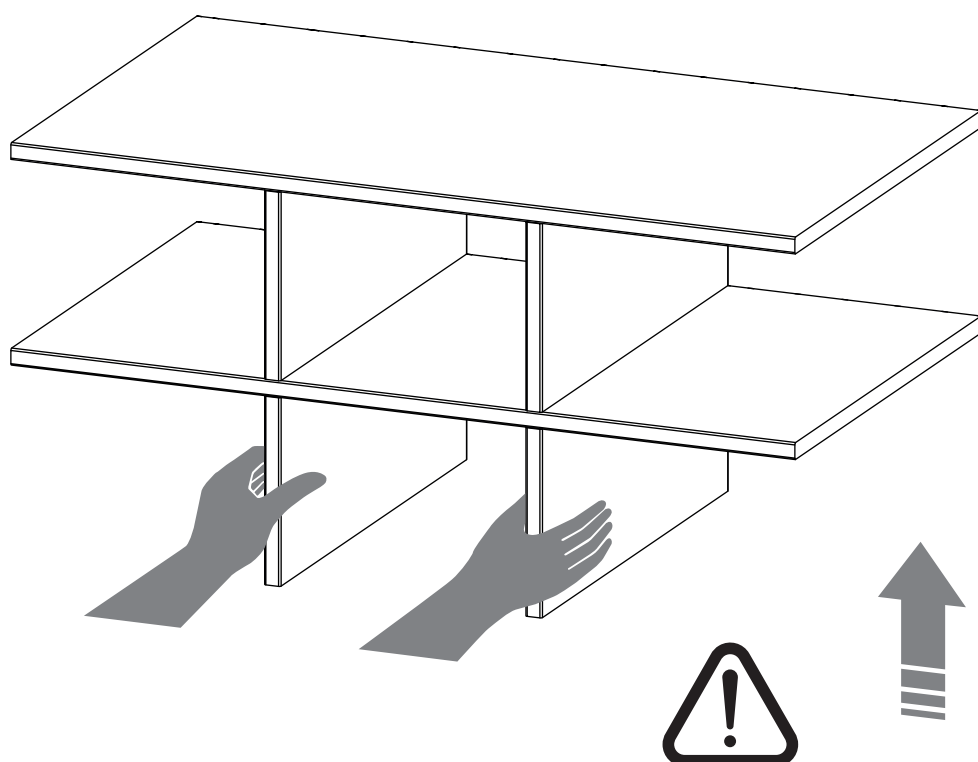
Connecting top panel

Connect the top panel **1** to the rest of the structure.



The structure can then be placed into the wardrobe.

Take care when moving:
Lift the structure via the lower divisions.



Assembly Instructions

Step 6

Insert the structure into the wardrobe

Carefully insert the structure into the wardrobe:
Note: You can place it on top of an internal chest, or over a shelf.

