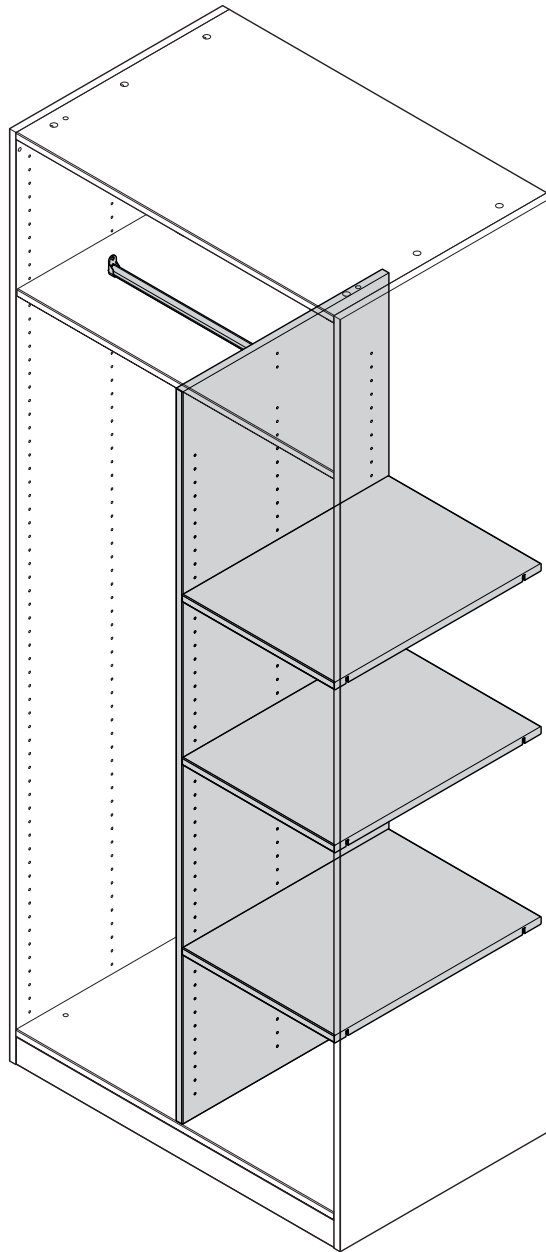


# Fitted Bedrooms: Wardrobe Shelf / Divider Storage

Assembly Instructions - Please keep for future reference



## Dimensions

Height - 172.5cm

Width - 43.2cm

Depth - 56.2cm

**Important – Please read these instructions fully before starting assembly**

If you need help or have damaged or missing parts, please return to your local store.



# Safety and Care Advice

**Important** – Please read these instructions fully before starting assembly

- Check you have all the components and tools listed on the following pages.
- Remove all fittings from the plastic bags and separate them into their groups.
- Keep children and animals away from the work area, small parts could choke if swallowed.
- Make sure you have enough space to lay out the parts before starting assembly.

- During assembly do not stand or put weight on the product, this could cause damage.
- Assemble the product as close to its final position (in the same room) as possible.
- Assemble on a soft, level surface to avoid damaging the unit or your floor.
- Parts of the assembly will be easier with 2 people.



- To reduce the likelihood of damaging your product, please ensure that your power drill is set on a low torque setting.

## Care and maintenance

- Only clean using a damp cloth and mild detergent, do not use bleach or abrasive cleaners.
- From time-to-time check that there are no loose screws on this product.
- This product should not be discarded with household waste. Take to your local authority waste disposal centre.

## Handy hints

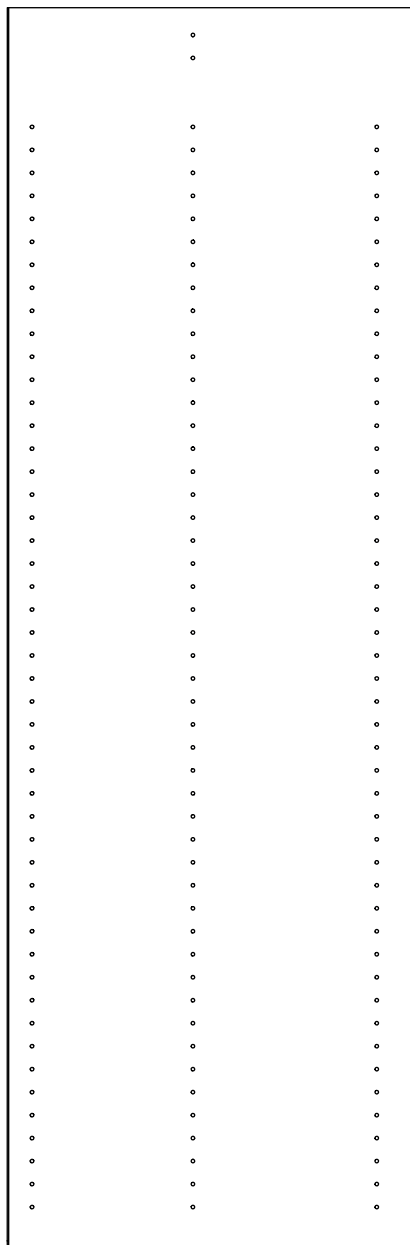
- Assemble all parts and bolts loosely during assembly, only once the product is complete should you fully tighten the bolts.
- Regularly check and ensure that all bolts and fittings are tightened properly.

**Note:** If required, the next page can be cut out and used as reference throughout the assembly. Keep this page with these instructions for future reference.

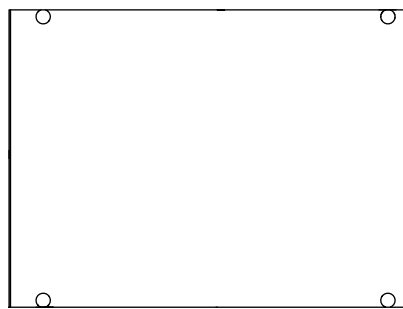
# Components - Panels

If you have damaged or missing components, please return to your local store.

Please check you have all the panels listed below



**1** Partition panel x 1  
(56.2 x 172.5cm)




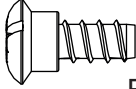
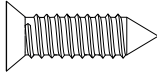
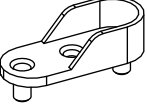

**2** Shelves x 3  
(56.2 x 41.4cm)




# Components - Fittings


Please check you have all the fittings listed below

**Note:** The quantities below are the correct amount to complete the assembly. In some cases more fittings may be supplied than are required.

<b>A</b>  Shelf supports x 12	<b>B</b>  Euro screws x 12	<b>C</b>  15mm screws x 2
<b>D</b>  Hanging rail holders x 2	<b>E</b>  Hanging rail x 1	

## Tools required

 Phillips screwdriver (medium & large)

 Flatblade screwdriver (medium)

## Ruler - Use this ruler to help correctly identify the screws

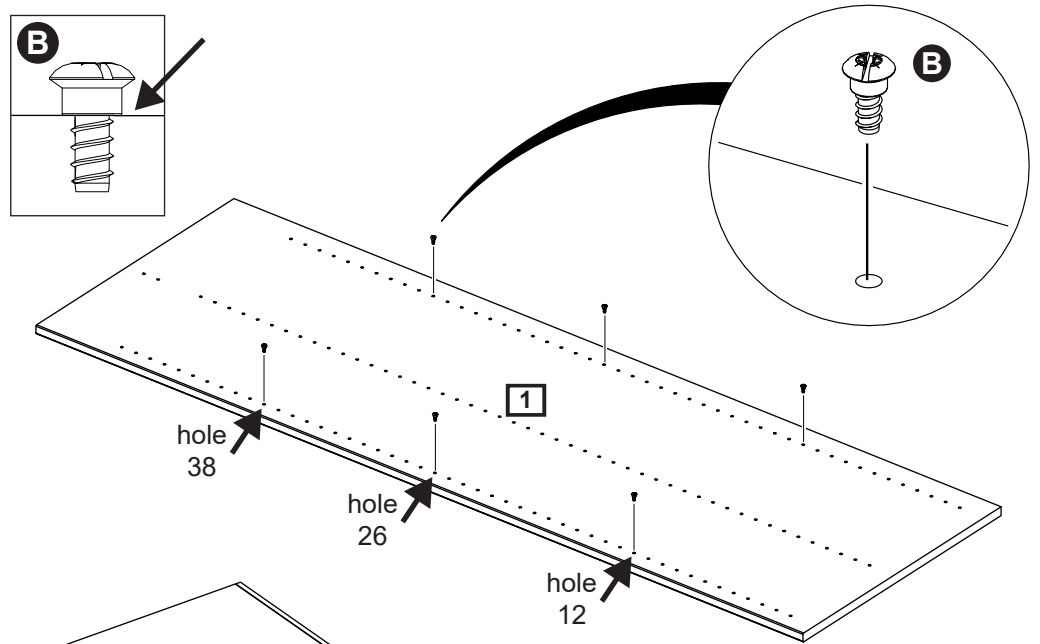


# Assembly Instructions

## Step 1

### Preparing partition

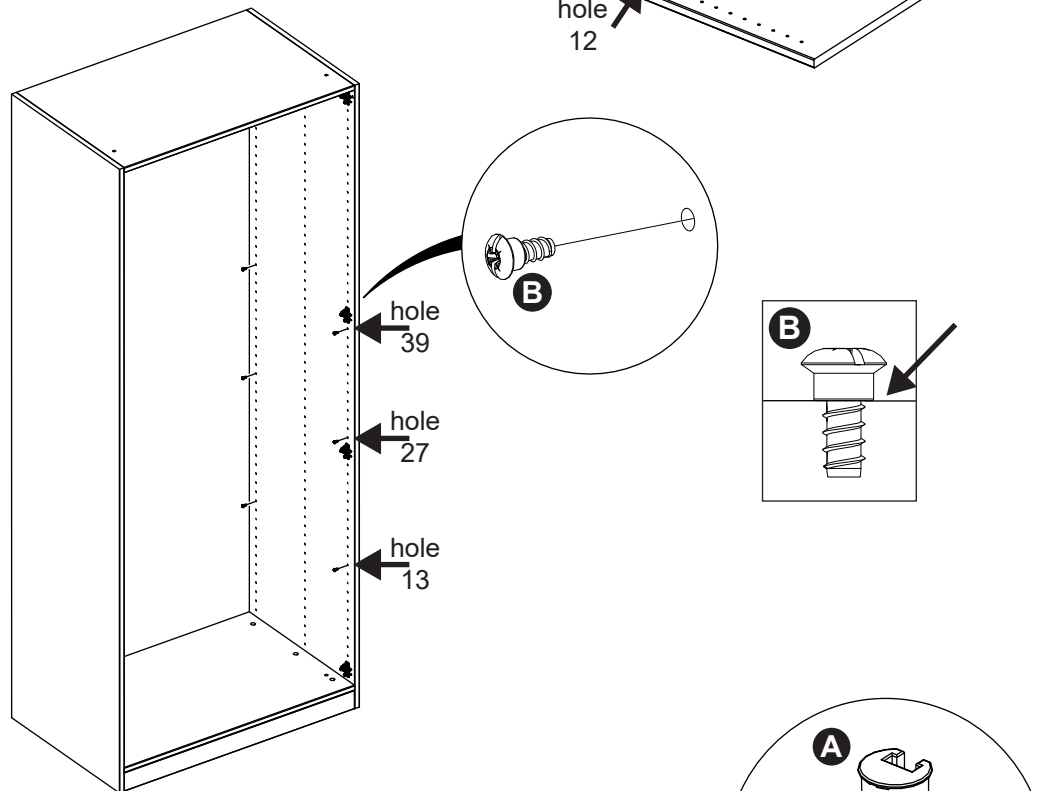
Fix 6 screws **B** into partition **1**, as shown. Do not overtighten.



## Step 2

Fix 6 screws **B** into robe side panel, as shown. Do not overtighten.

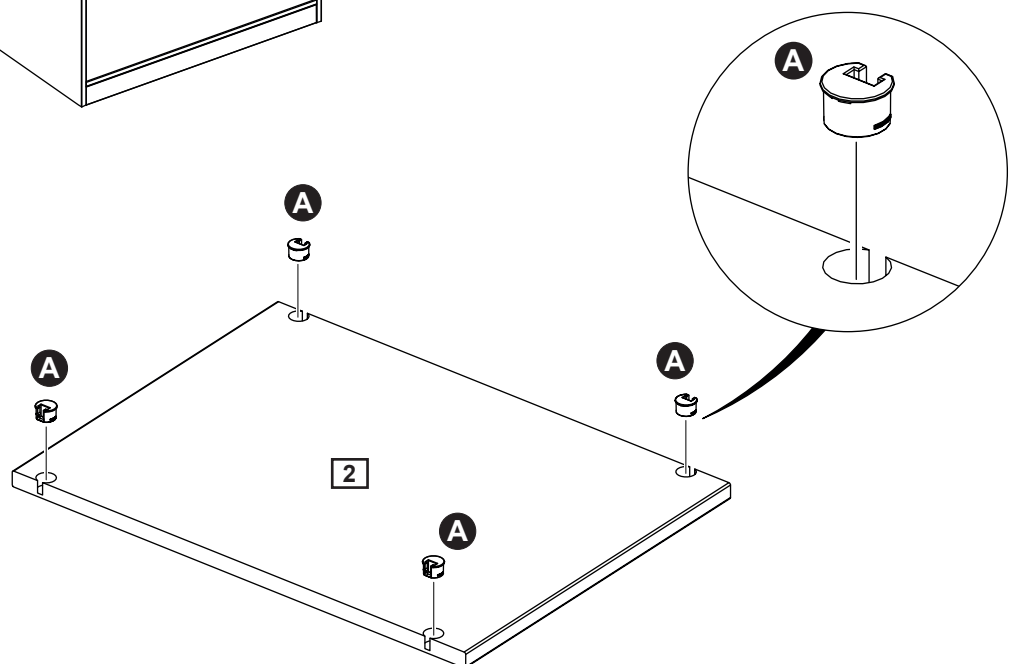
Ensure screws are correctly aligned with the holes and are screwed into the partition straight.



## Step 3

### Fitting shelf

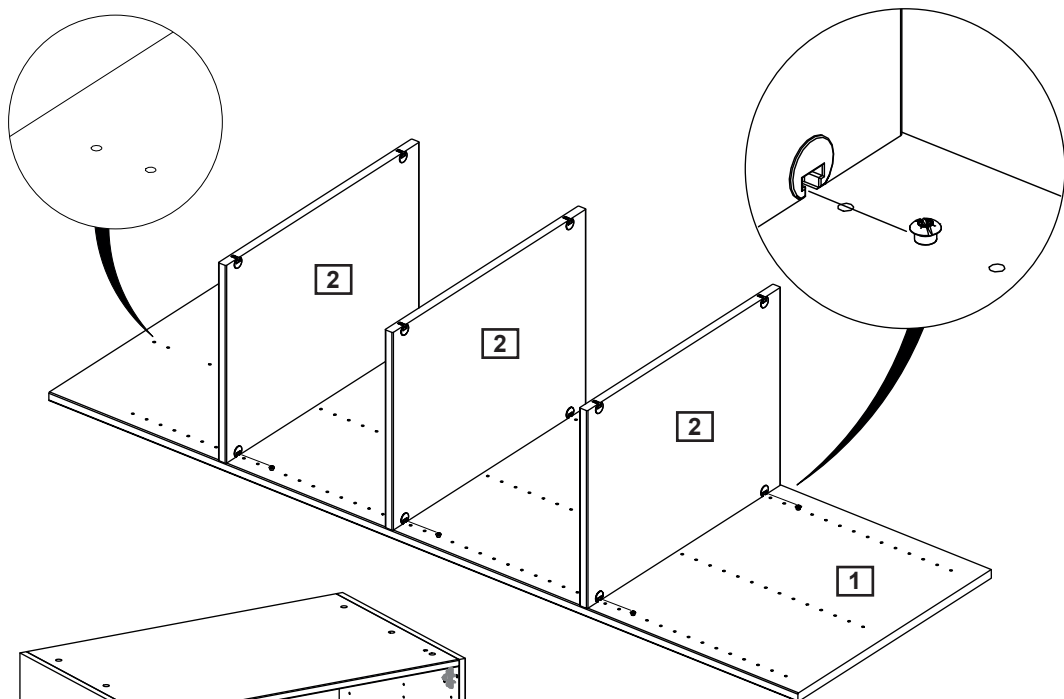
Insert 4 shelf supports **A** on each shelf **2**, as shown.



# Assembly Instructions

## Step 4

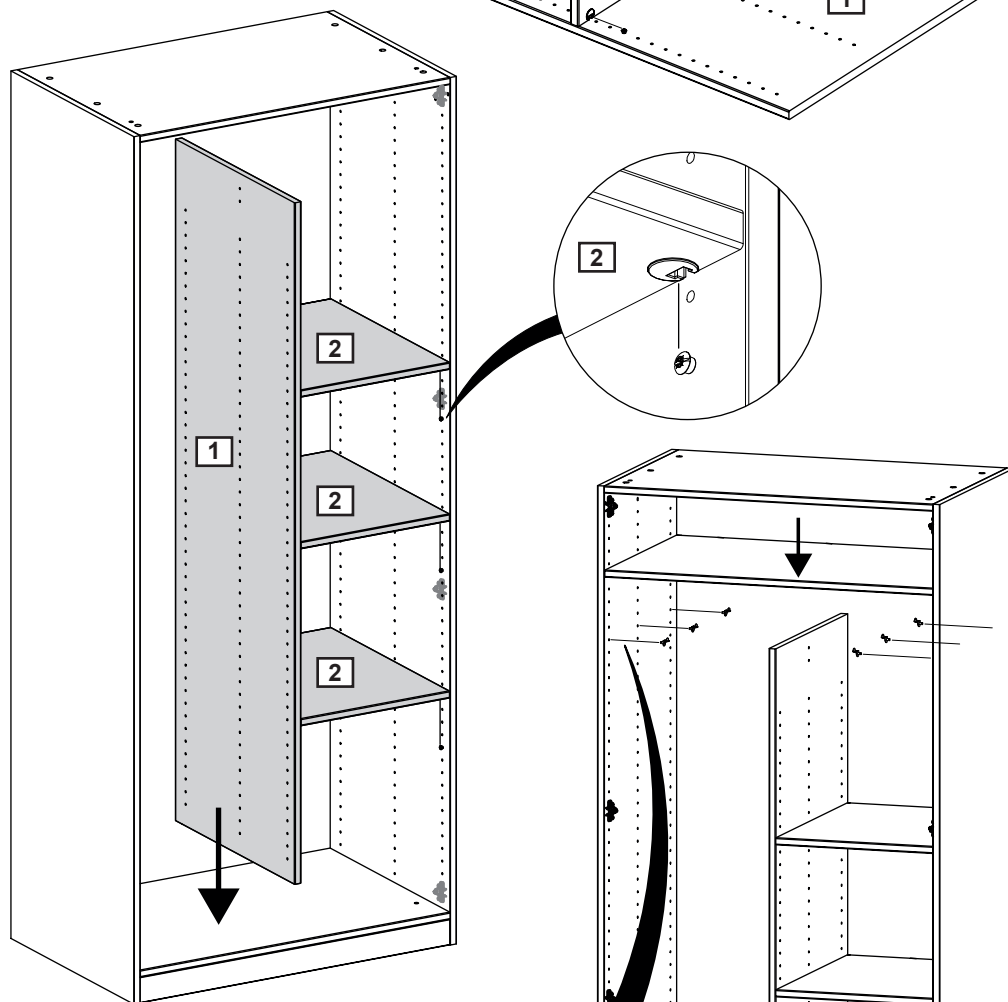
Carefully attach shelves **2** onto partition **1**, as shown.



## Step 5

### Inserting partition

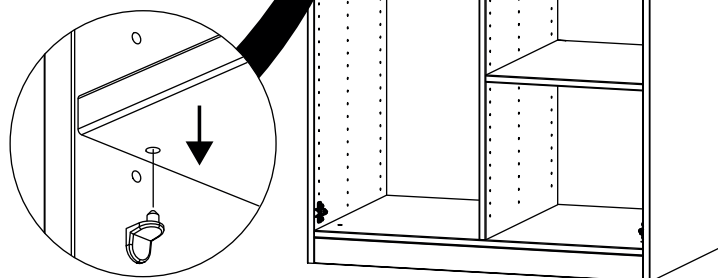
Carefully insert shelves **2** and partition **1** into wardrobe, as shown.



## Step 6

### Fitting wardrobe shelf

Insert 6 shelf supports (provided with wardrobe fitting bag) onto side panels. Then carefully slide shelf (provided with wardrobe pack) inside cabinet.

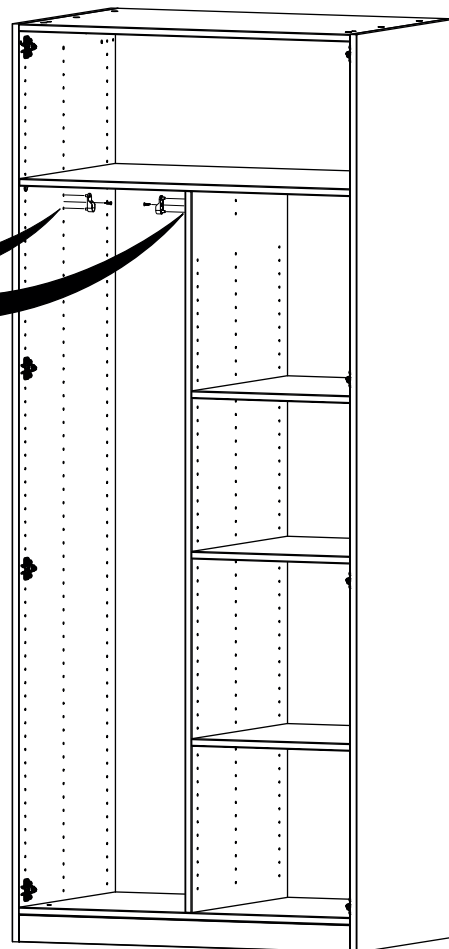
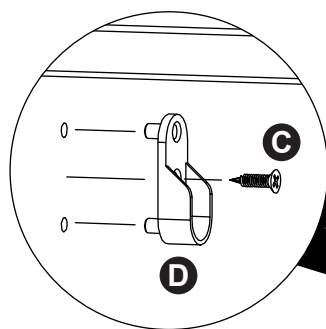


# Assembly Instructions

## Step 7

### Fixing hanging rail

Fix 2 hanging rail holders **D** to side panels using 2 screws **C**.



Then insert hanging rail **E** into rail holders **D**.

