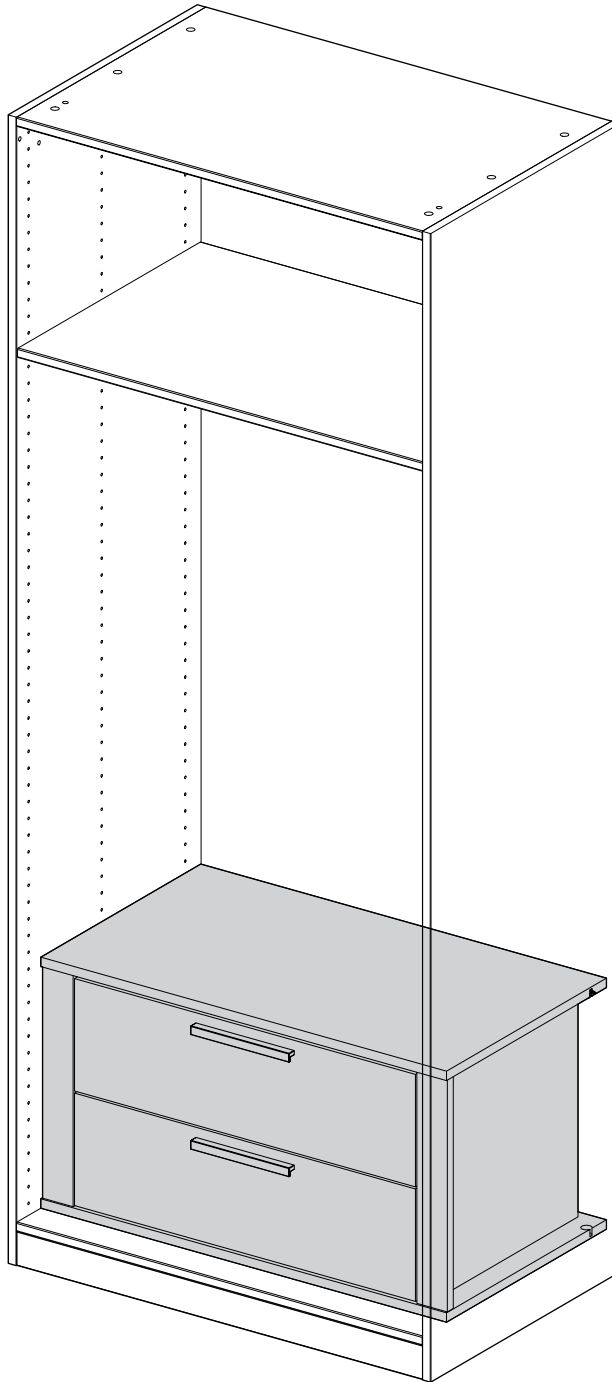


# Fitted Bedrooms: Internal Double Chest

Assembly Instructions - Please keep for future reference



## Dimensions

Height - 48cm  
Width - 86.4cm  
Depth - 49cm

**Important – Please read these instructions fully before starting assembly**

If you need help or have damaged or missing parts, please return to your local store.



# Safety and Care Advice

**Important** – Please read these instructions fully before starting assembly

- Check you have all the components and tools listed on the following pages.
- Remove all fittings from the plastic bags and separate them into their groups.
- Keep children and animals away from the work area, small parts could choke if swallowed.
- Make sure you have enough space to lay out the parts before starting assembly.

- During assembly do not stand or put weight on the product, this could cause damage.
- Assemble the product as close to its final position (in the same room) as possible.
- Assemble on a soft, level surface to avoid damaging the unit or your floor.
- Parts of the assembly will be easier with 2 people.



- To reduce the likelihood of damaging your product, please ensure that your power drill is set on a low torque setting.

## Care and maintenance

- Only clean using a damp cloth and mild detergent, do not use bleach or abrasive cleaners.
- From time-to-time check that there are no loose screws on this product.
- This product should not be discarded with household waste. Take to your local authority waste disposal centre.

## Handy hints

- Assemble all parts and bolts loosely during assembly, only once the product is complete should you fully tighten the bolts.
- Regularly check and ensure that all bolts and fittings are tightened properly.

**Note:** If required, the next page can be cut out and used as reference throughout the assembly. Keep this page with these instructions for future reference.

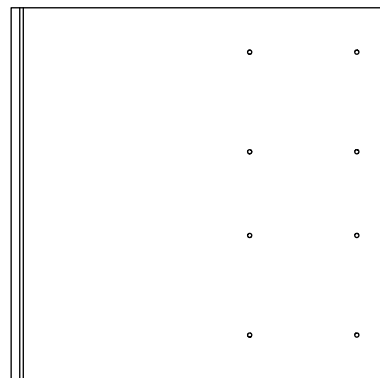
# Components - Panels

If you have damaged or missing components, please return to your local store.

Please check you have all the panels listed below



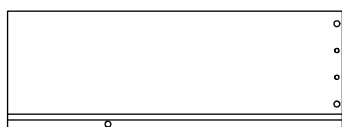
**1** Top / bottom panels x 2  
(49 x 86.4cm)



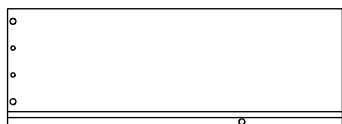
**2** Side panels x 2  
(45 x 44.4cm)



**3** Rail panels x 2  
(6.5 x 44.4cm)



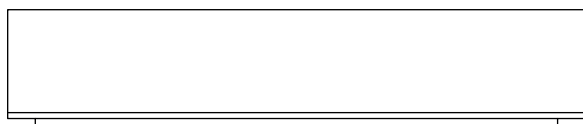
**4** Left drawer side panels x 2  
(14 x 40cm)



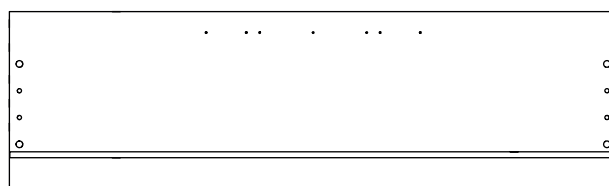
**5** Right drawer side panels x 2  
(14 x 40cm)



**7** Drawer bottom panels x 2  
(40 x 70.3cm)



**6** Drawer back panels x 2  
(14 x 69cm)




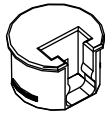
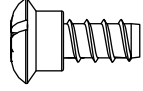
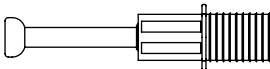
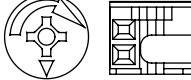
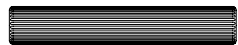
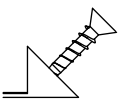

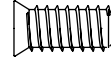
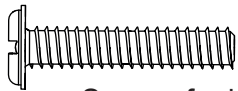
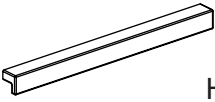
**8** Drawer front panels x 2  
(21.5 x 72.6cm)

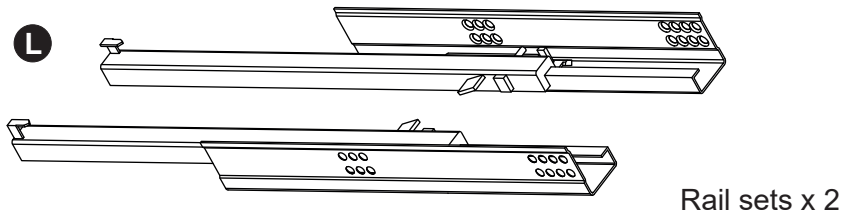


# Components - Fittings

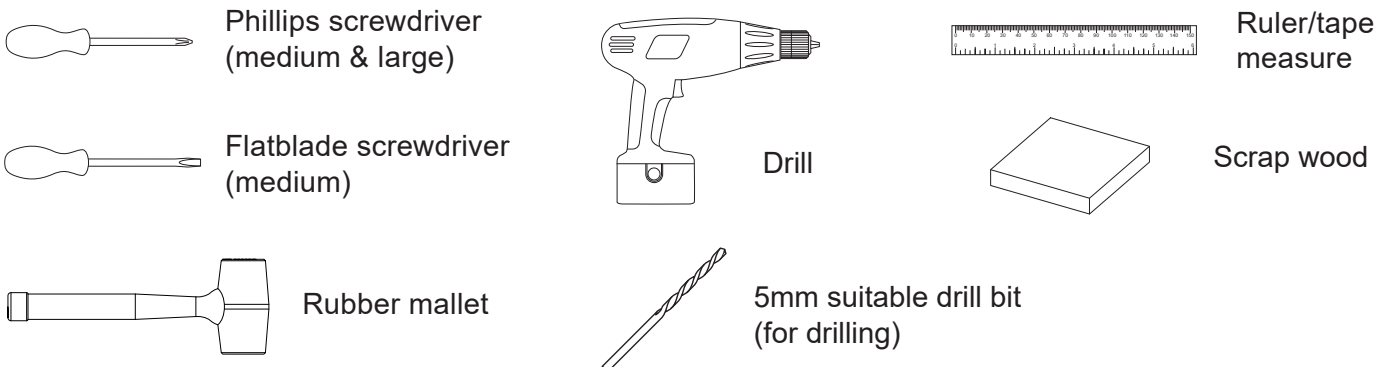
Please check you have all the fittings listed below

**Note:** The quantities below are the correct amount to complete the assembly. In some cases more fittings may be supplied than are required.

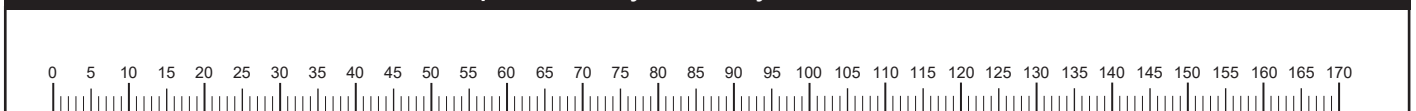
<b>A</b>  Ø8mm wooden dowels x 20	<b>B</b>  Shelf supports x 2	<b>C</b>  Euro screws x 2
<b>D</b>  Metal dowels x 8	<b>E</b>  Locking nuts x 8	<b>F</b>  Ø5mm wooden dowels x 16
<b>G</b>  Back fittings x 8	<b>H</b>  Plastic dowels x 8	<b>I</b>  Euro screws x 8
<b>J</b>  Screws for handle x 4	<b>K</b>  Handles x 2	



## Tools required



**Ruler** - Use this ruler to help correctly identify the screws



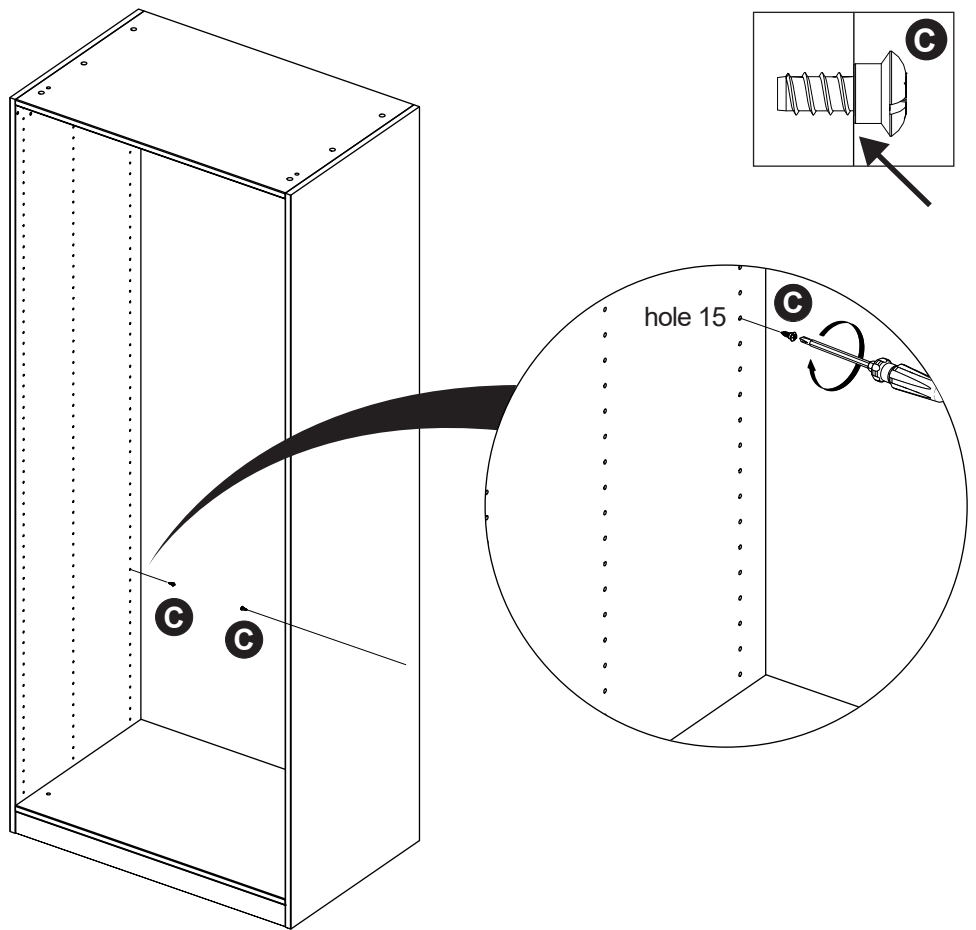
# Assembly Instructions

## Step 1

### Preparing wardrobe side panels

Fix a screw **C** to 'hole 15' on each side panel of the wardrobe. Hole 15 is located 15 holes up from the base on the last fitting series, as shown.

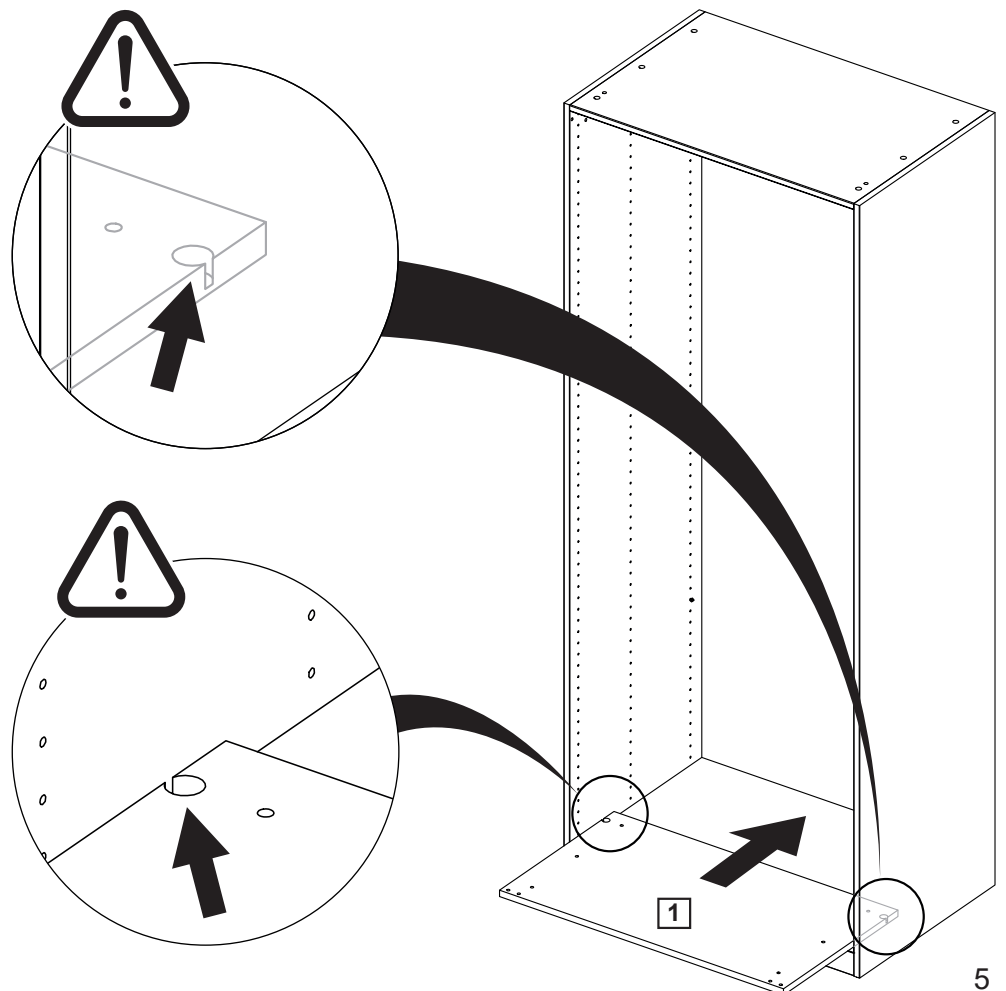
This screw will fix the top panel, later.



## Step 2

### Placing bottom panel

Carefully insert bottom panel **1** in the wardrobe. Please note: Keep the two bigger holes towards the back panel of the wardrobe, as shown.

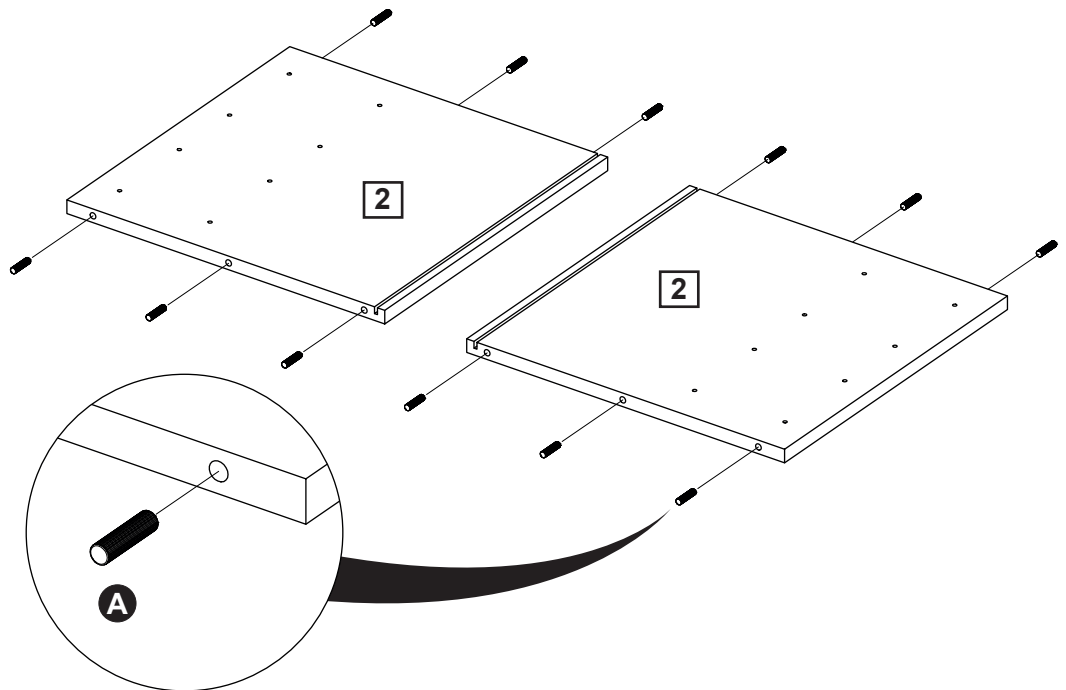


# Assembly Instructions

## Step 3

### Preparing side panels

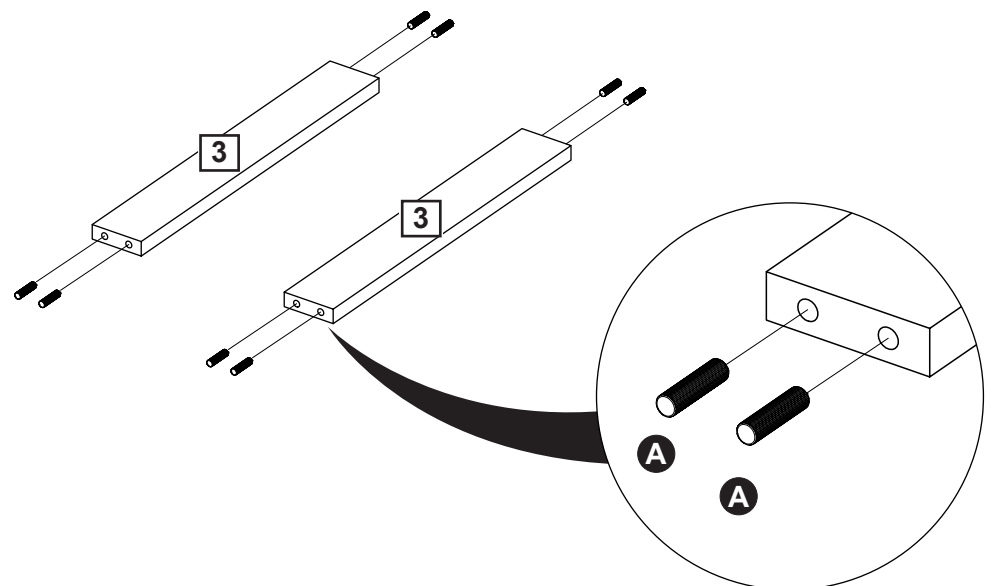
Insert 6 wooden dowels **A** into each side panel **2**.



## Step 4

### Preparing rail panels

Insert 4 wooden dowels **A** into each rail panel **3**.

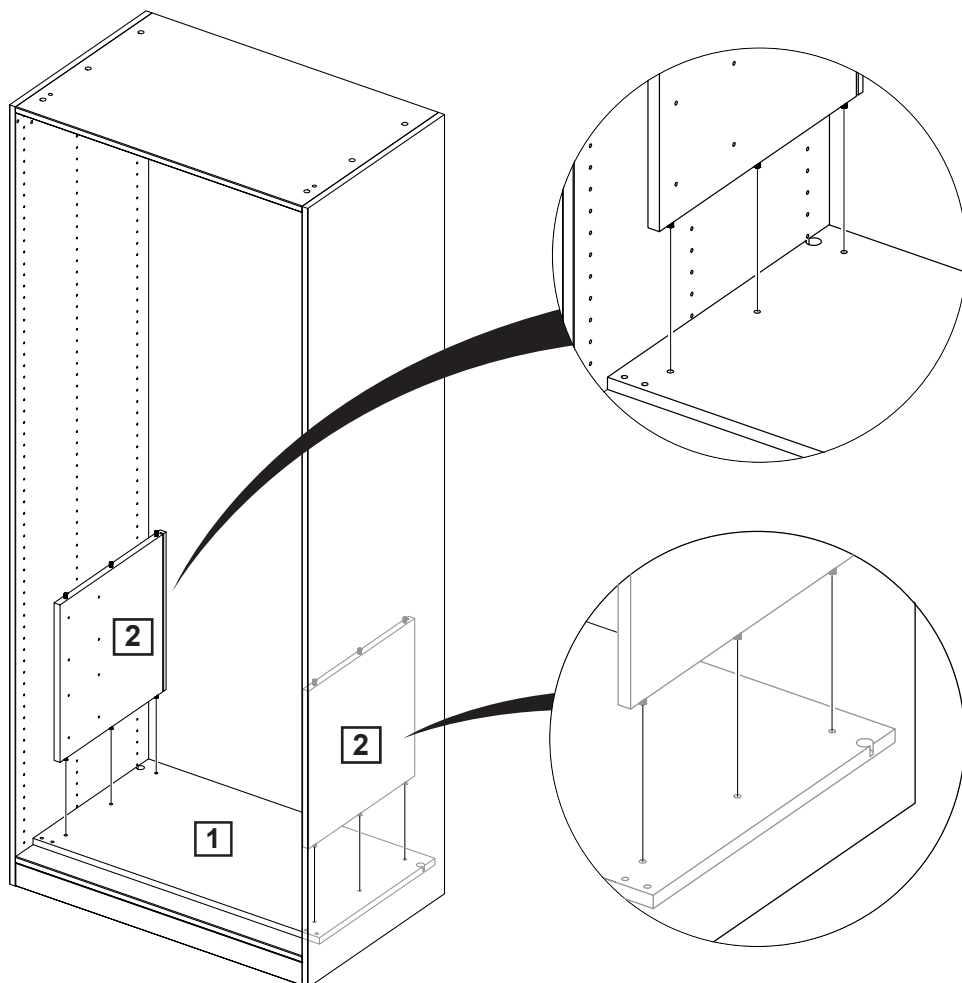


# Assembly Instructions

## Step 5

### Fixing side panels

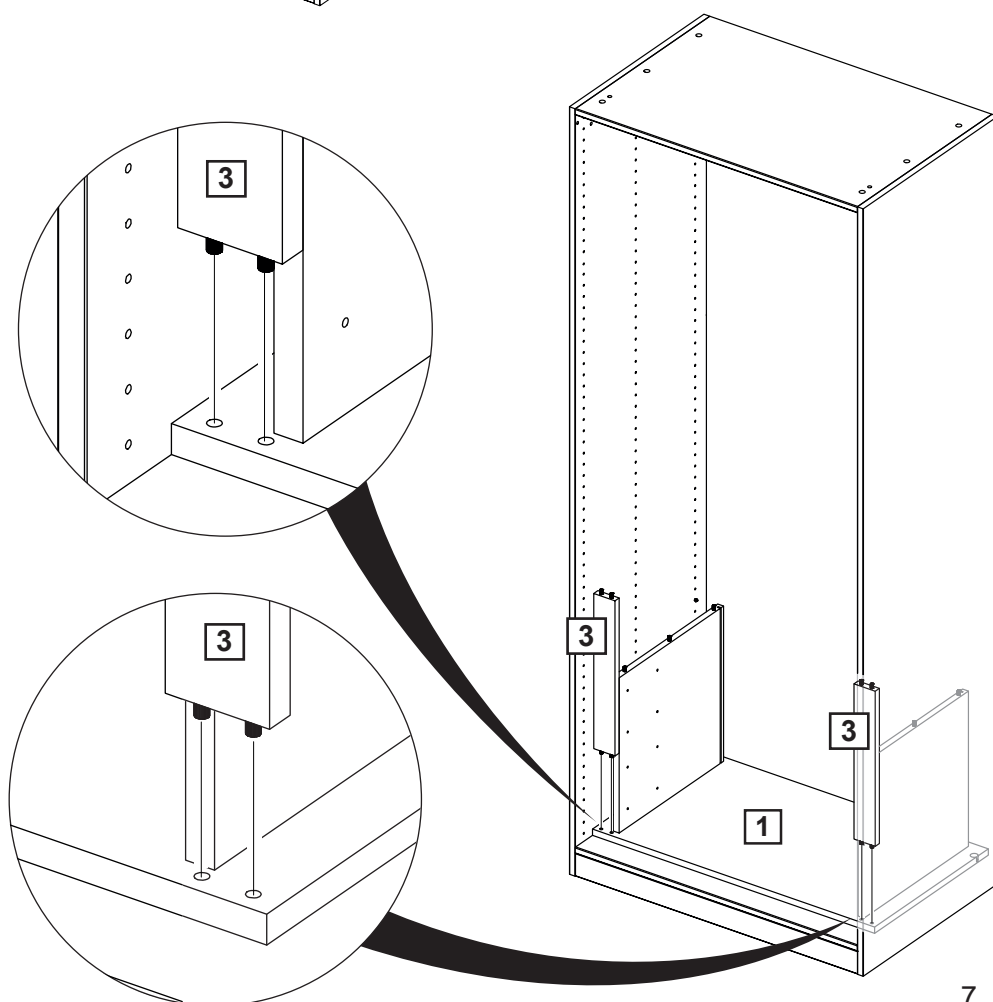
Place side panels **2** into the wardrobe, connecting them with the bottom panel **1** previously placed.



## Step 6

### Fixing rail panels

Place rail panels **3**, connecting them to the bottom panel **1**

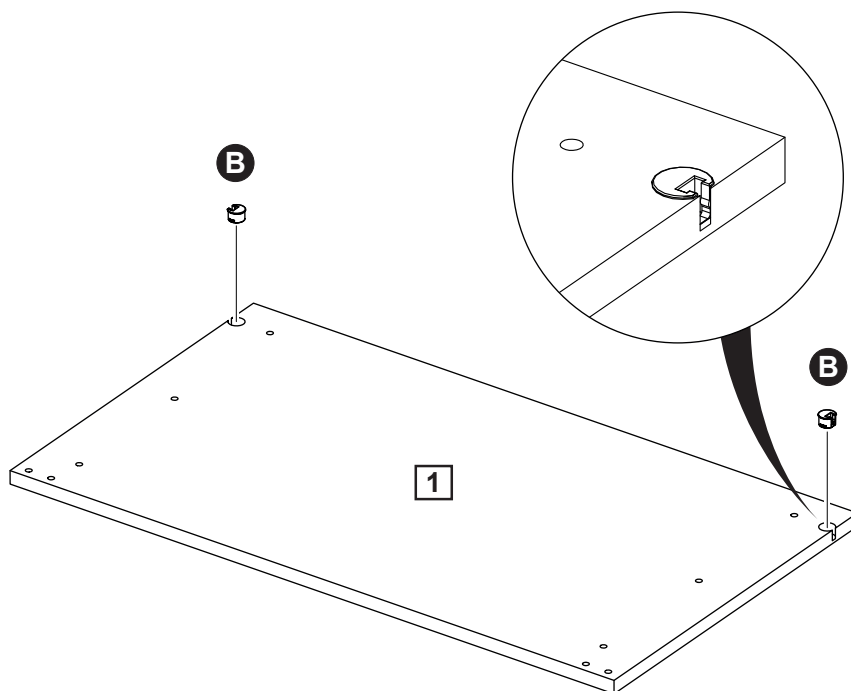


# Assembly Instructions

## Step 7

### Preparing top panel

Insert 2 shelf supports **B** into the top panel **1**.

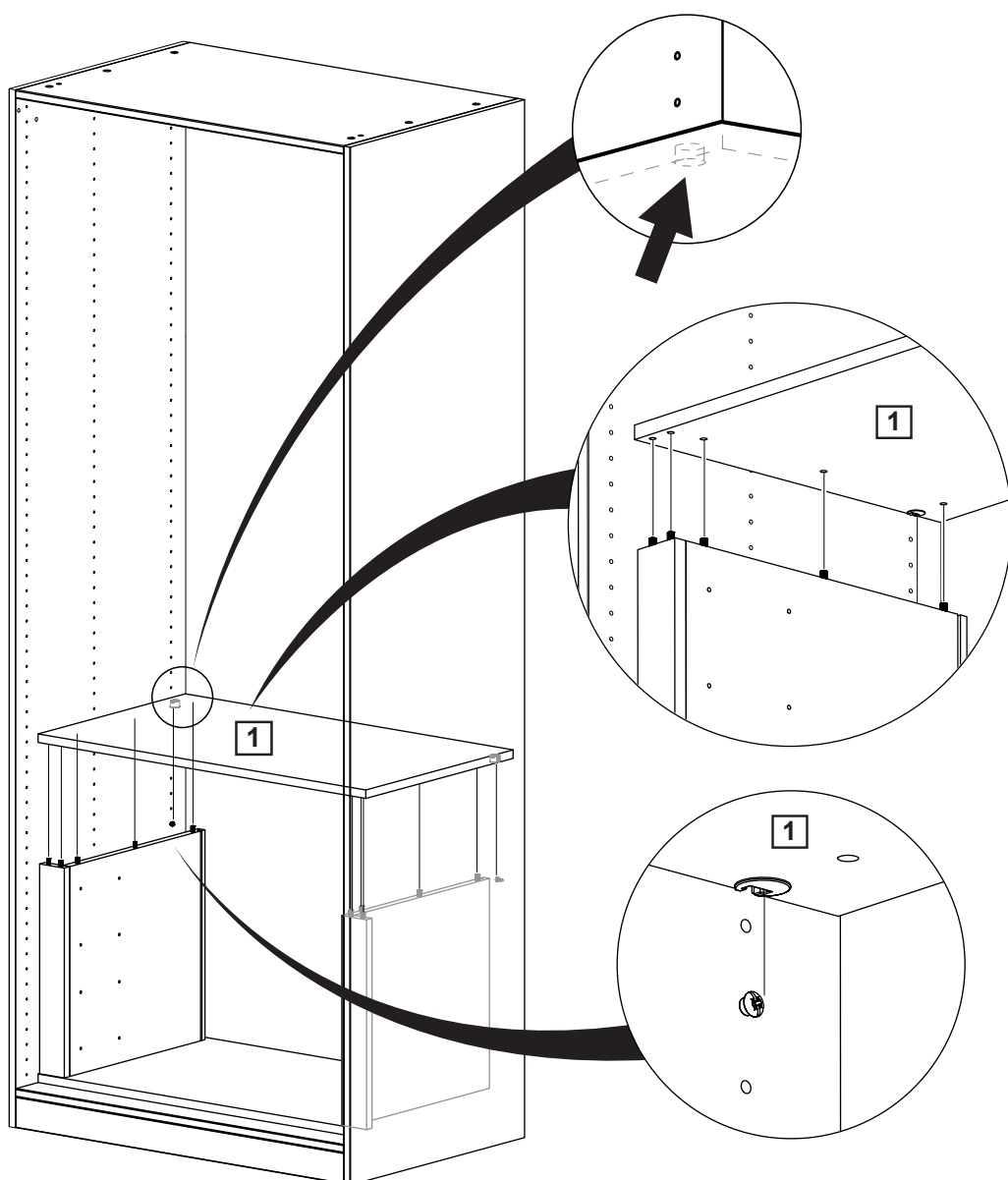


## Step 8

### Fixing top panel

Carefully insert top panel **1** into the wardrobe.  
Please note: Keep the 2 shelf supports towards the back panel of the wardrobe, as shown.

Then connect the top panel to the rest of the chest structure, and fix it to the wardrobe side panels via the 2 screws previously inserted.



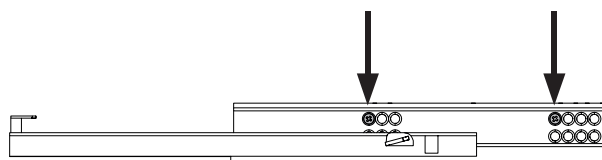
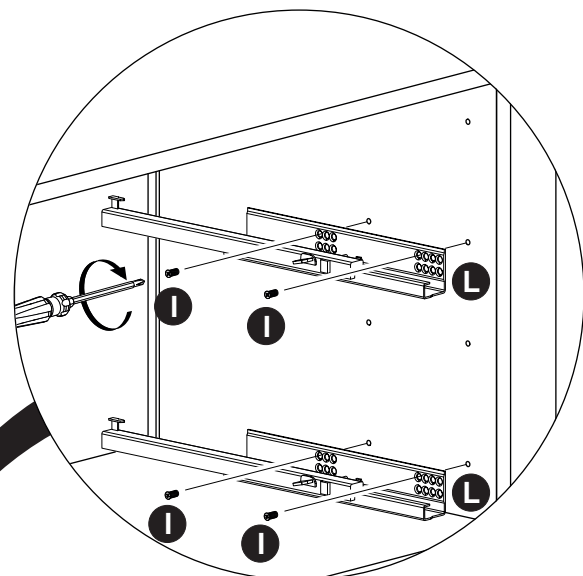
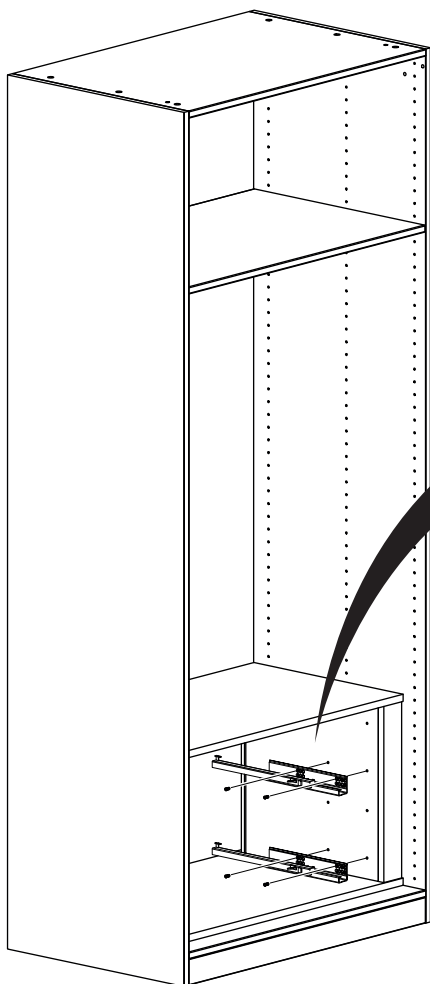
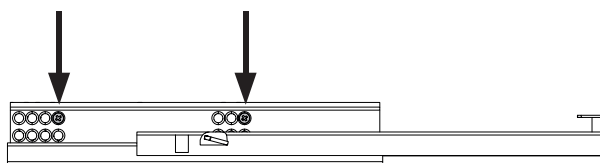
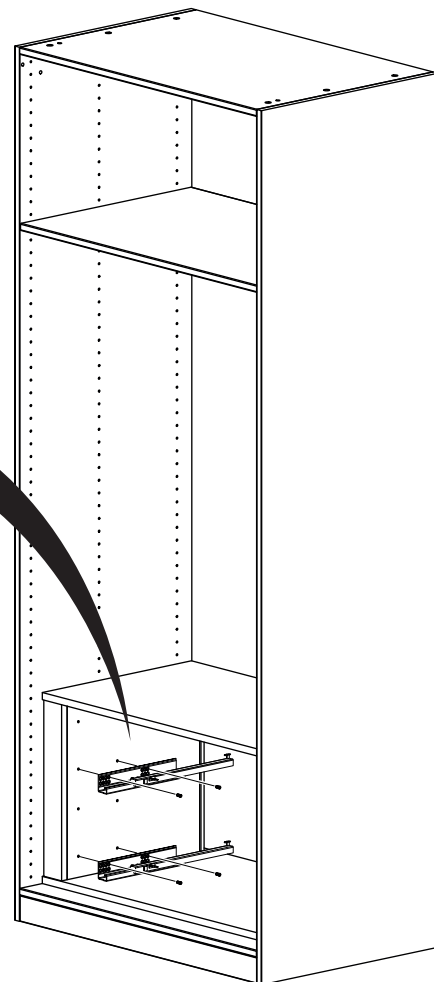
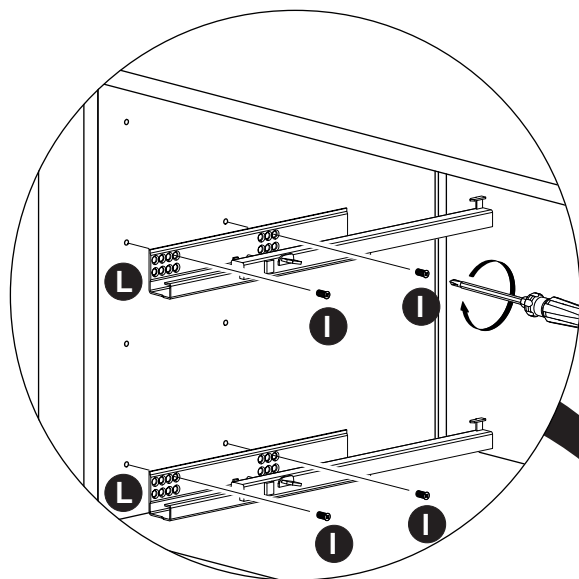


# Assembly Instructions

## Step 9

### Fixing rails

Fix 2 rails **L** on each side panel, using 2 screws **I** on each rail.



# Assembly Instructions

## Step 10

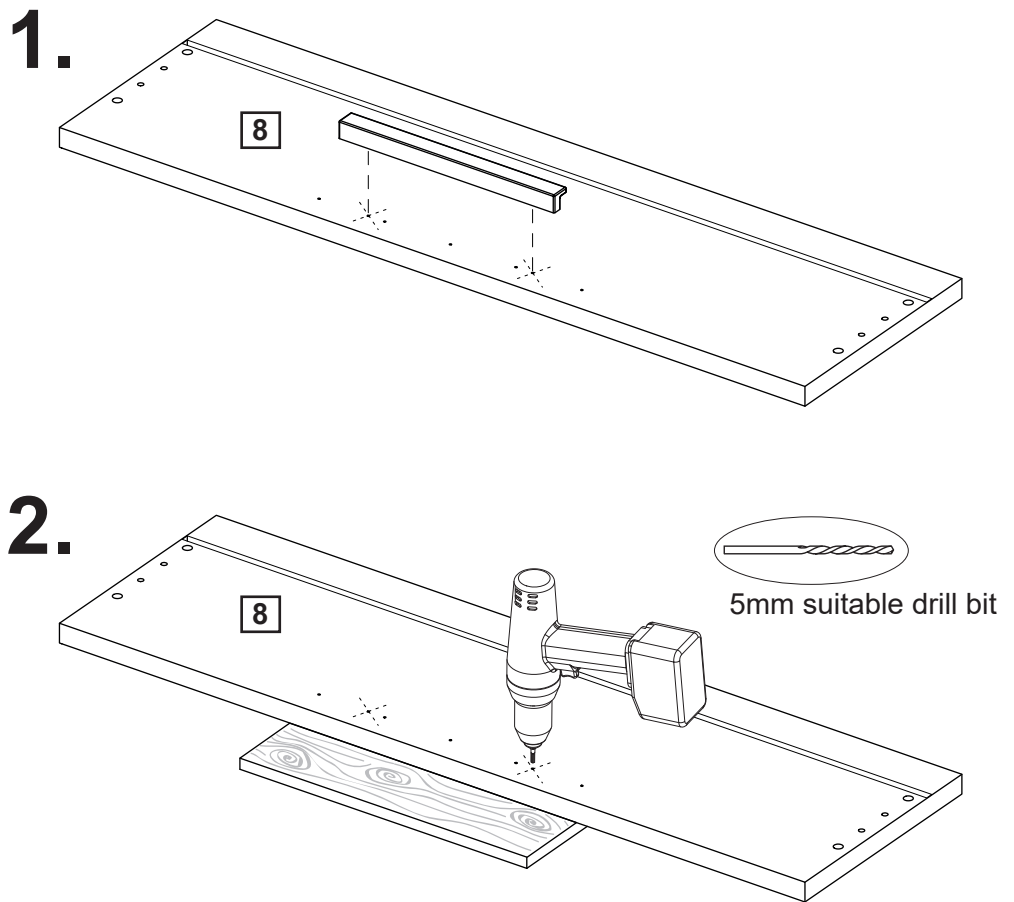
### Drawer assembly:

#### Preparing drawer front

The handle holes on the drawer front panel **8** can be drilled, but do not fix the handle until later.

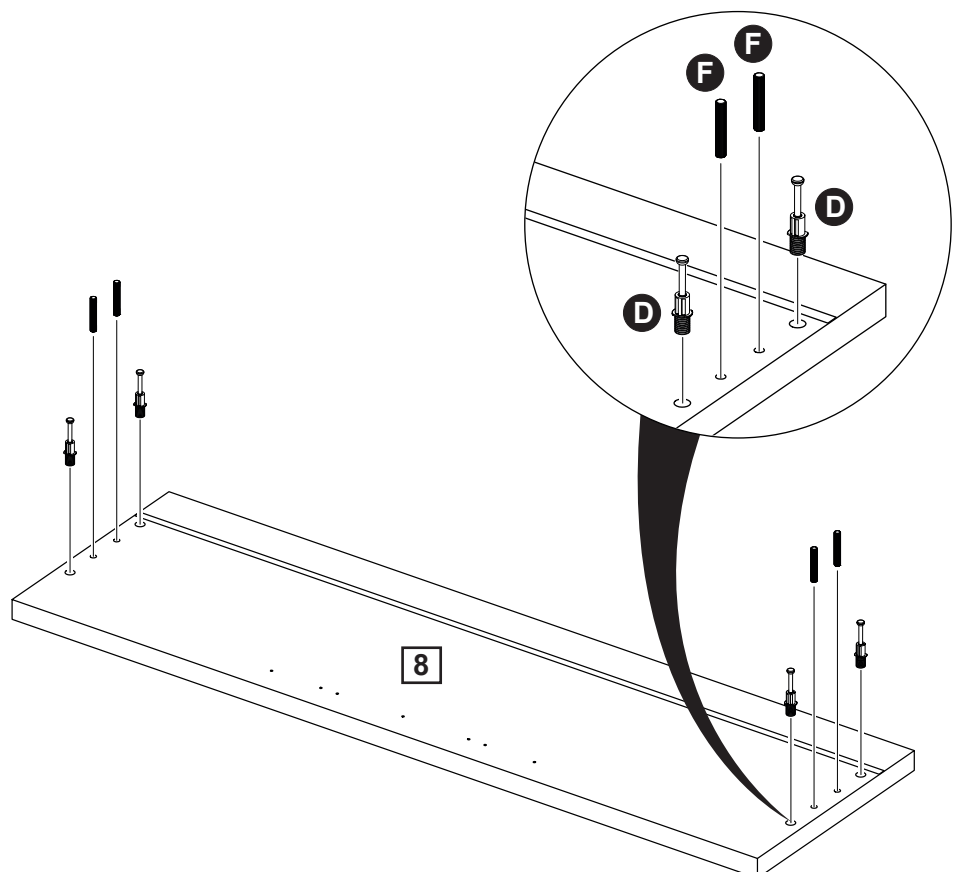
Before drilling, check your handle length by placing it close to the pre-drilled holes, so you will be sure to use the correct ones.

We recommend placing a scrap piece of wood underneath the drawer front, then drill the handle position using a 5mm drill bit. This is to avoid damages.



## Step 11

Insert 4 metal dowels **D** and 4 wooden dowels **F** into the drawer front panel **8** as shown.



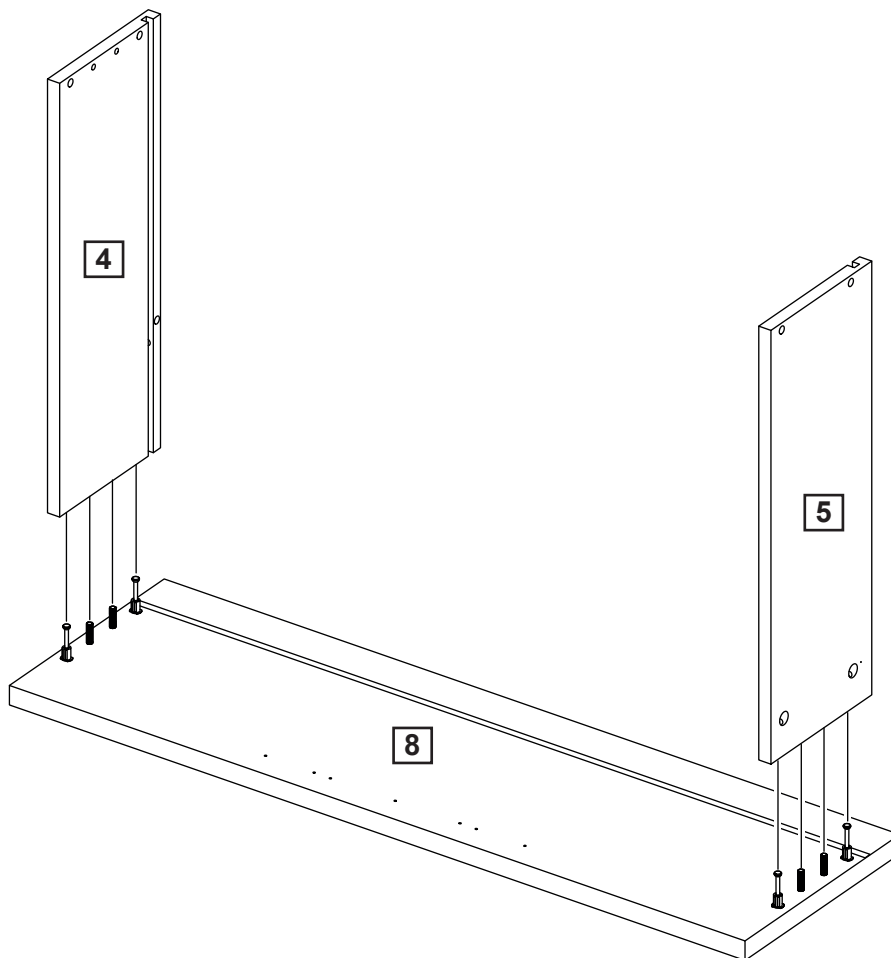
# Assembly Instructions

## Step 12

### Fitting drawer side panels

Connect drawer side panels

**4** and **5** with front panel **8**.

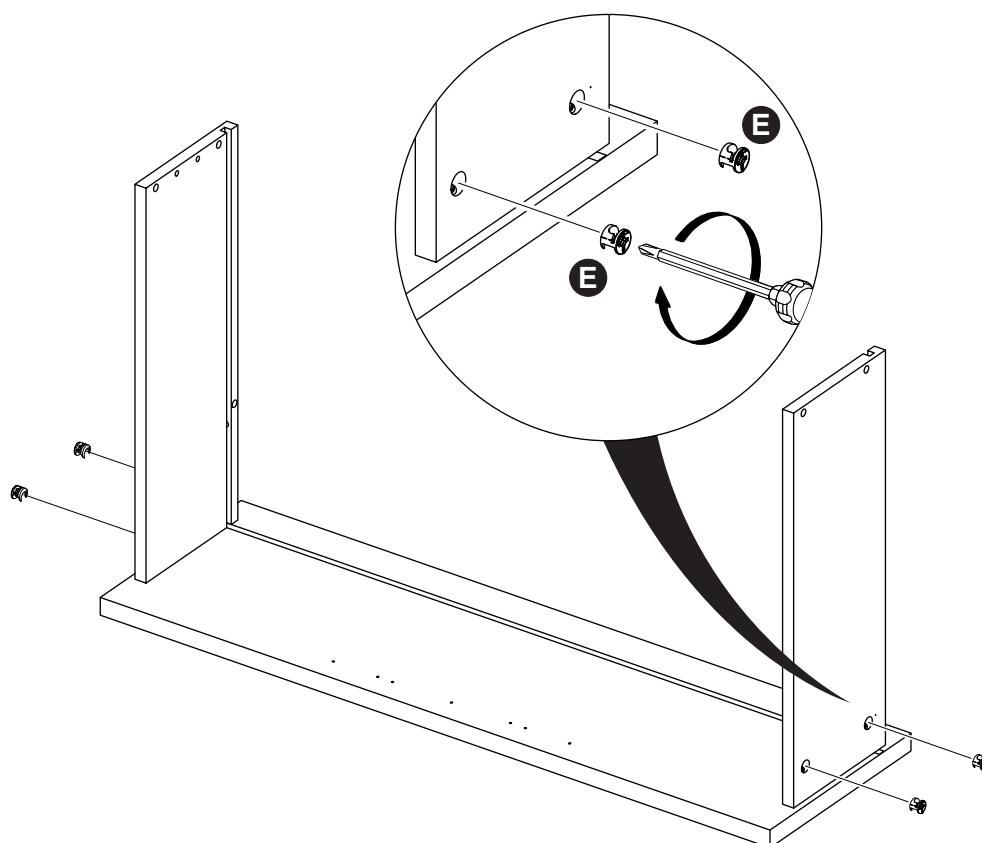


## Step 13

### Fixing drawer side panels

Insert 4 locking nuts **E** into drawer side panels (2 per panel).

Use a screwdriver to turn locking nuts clockwise to lock.

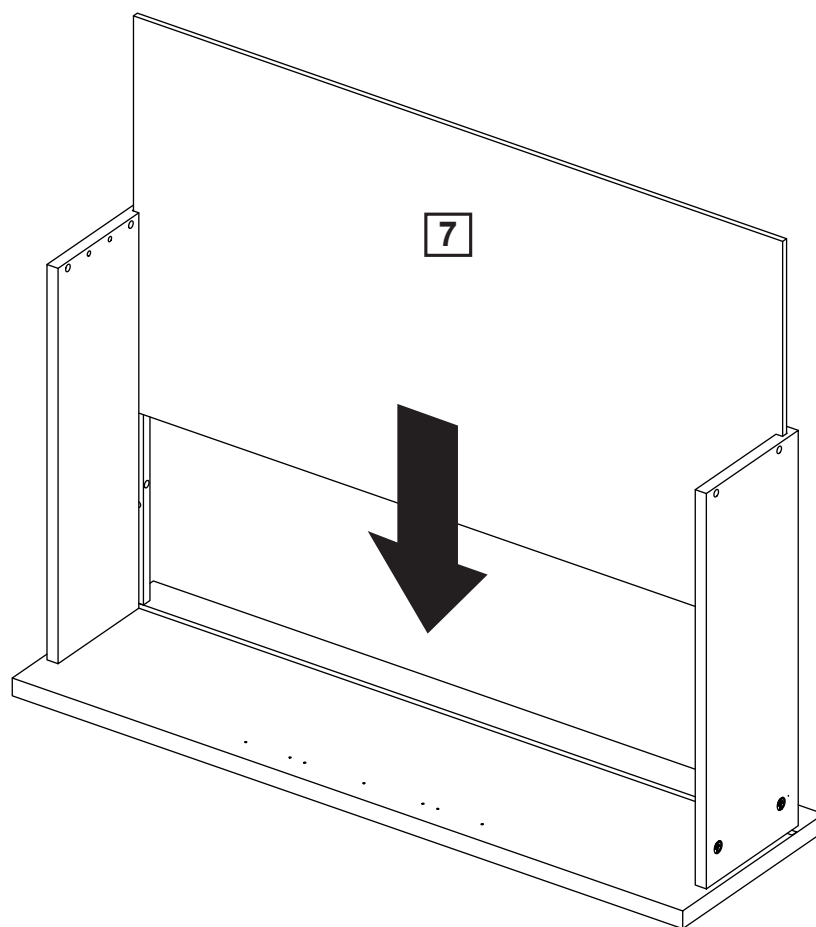


# Assembly Instructions

## Step 14

### Placing bottom panel

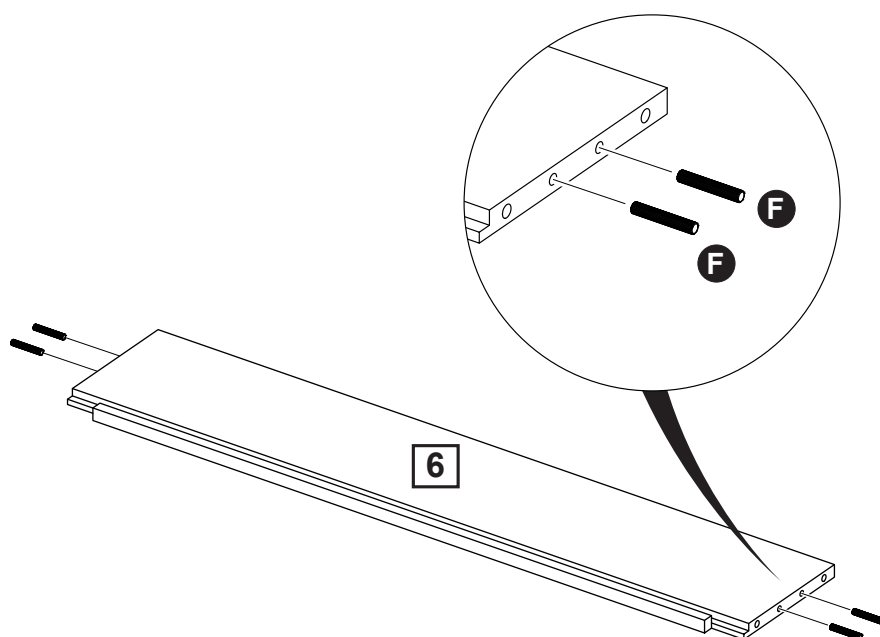
Slide bottom panel **7** into the grooves in the side panels.



## Step 15

### Preparing drawer back panel

Insert 4 wooden dowels **F** in the drawer back panel **6** as shown.

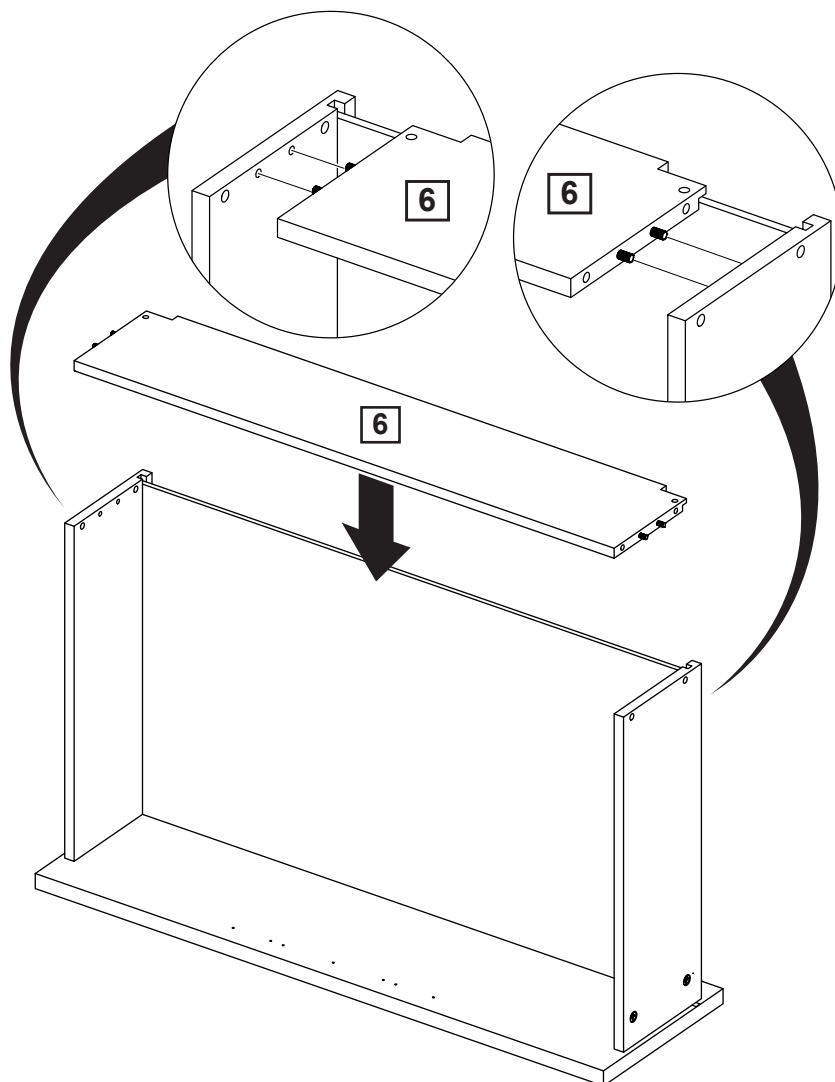


# Assembly Instructions

## Step 16

### Placing drawer back panel

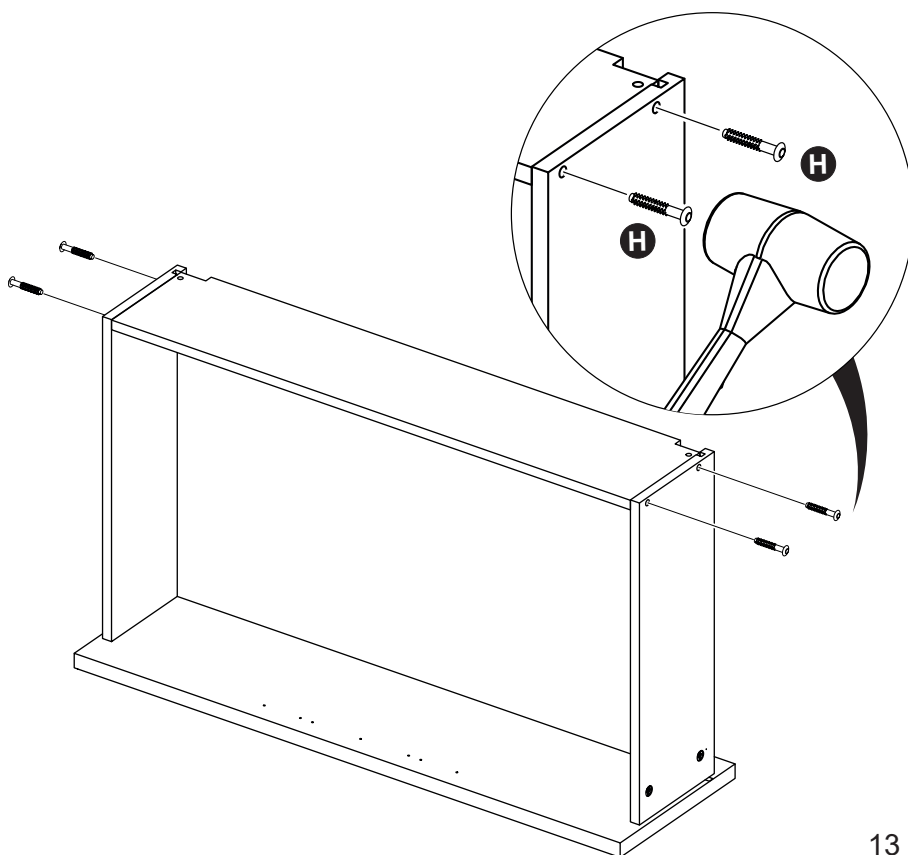
Connect drawer back panel **6** with the drawer structure. Carefully connect it to side panels via the wooden dowels previously inserted.



## Step 17

### Fixing drawer back panel

Fix drawer back panel to side panels with 4 plastic dowels **H**. Use a rubber mallet to hit the dowels.

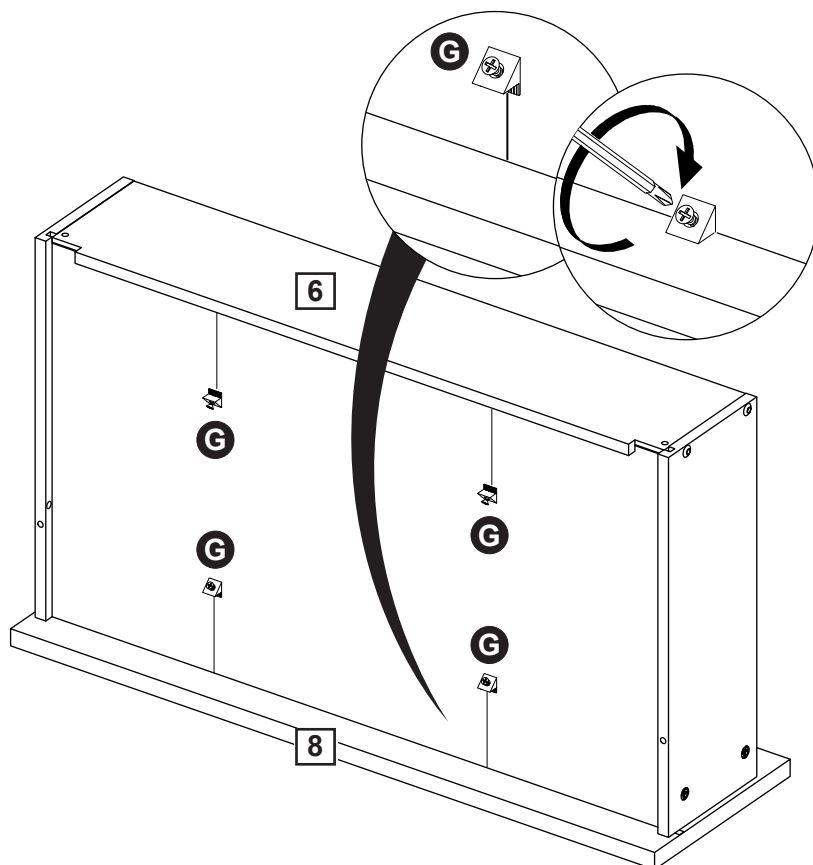


# Assembly Instructions

## Step 18

### Fixing bottom panel

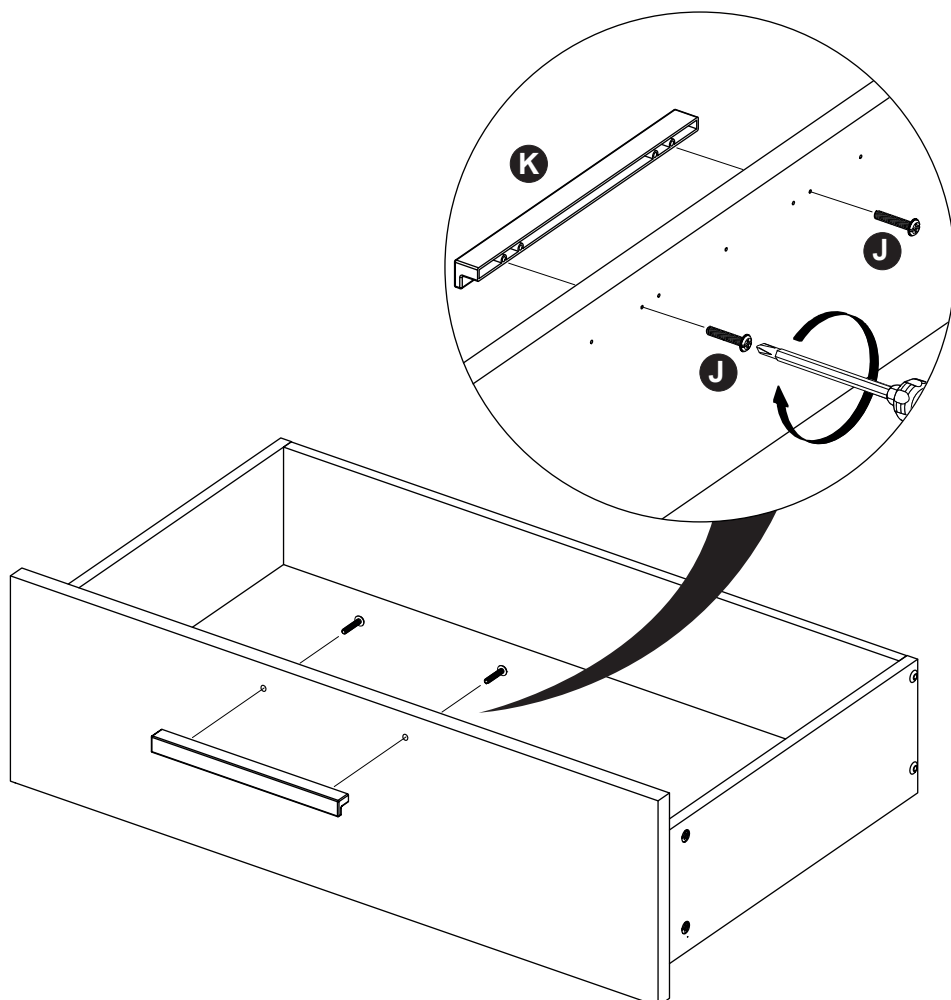
Carefully fix drawer bottom panel using 4 back fittings **G**. Push back fittings into the groove on the drawer back panel **6** and front panel **8**. Once placed, carefully secure them by tightening the screws.



## Step 19

### Fixing handle

Fix handle **K** on drawer front using 2 screws **J**.



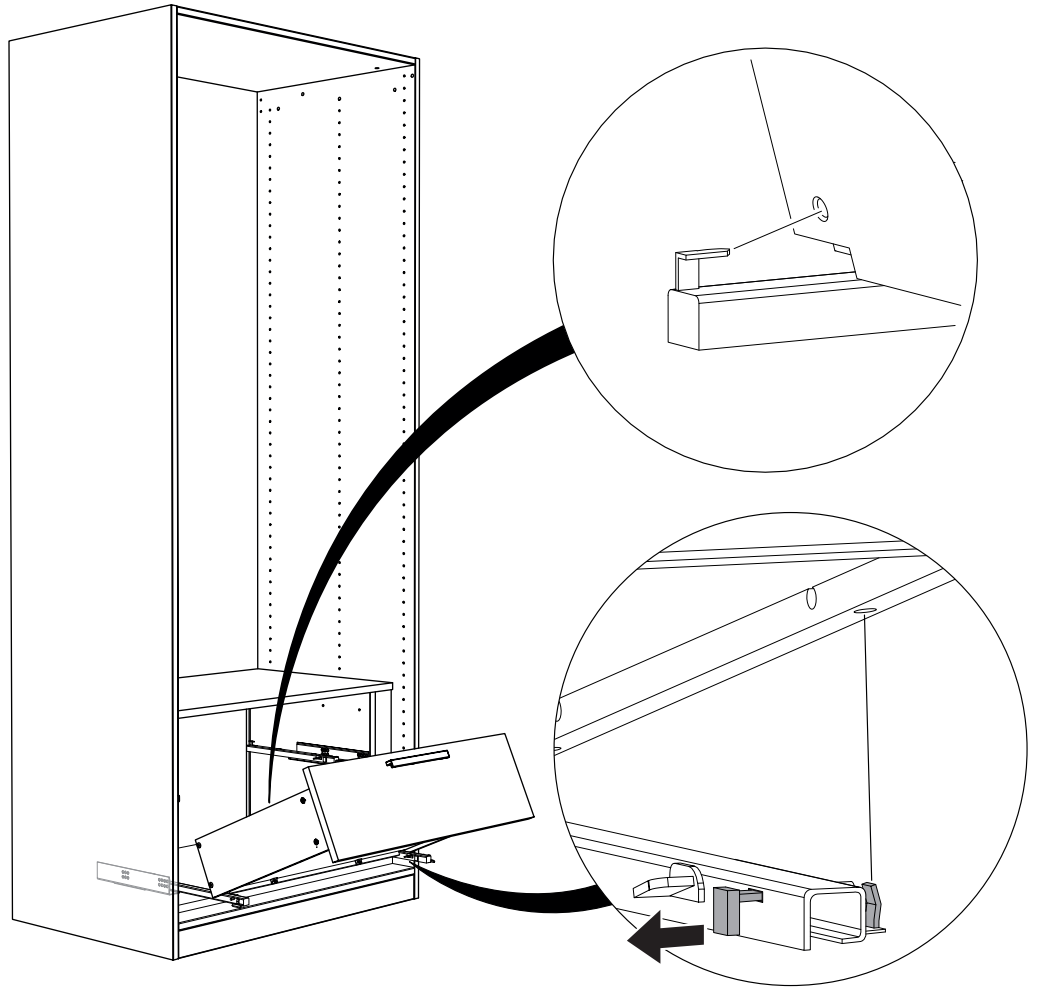
Drawer assembly is now complete. Repeat the same process for the remaining drawer.

# Assembly Instructions

## Step 20

### Placing drawers into chest

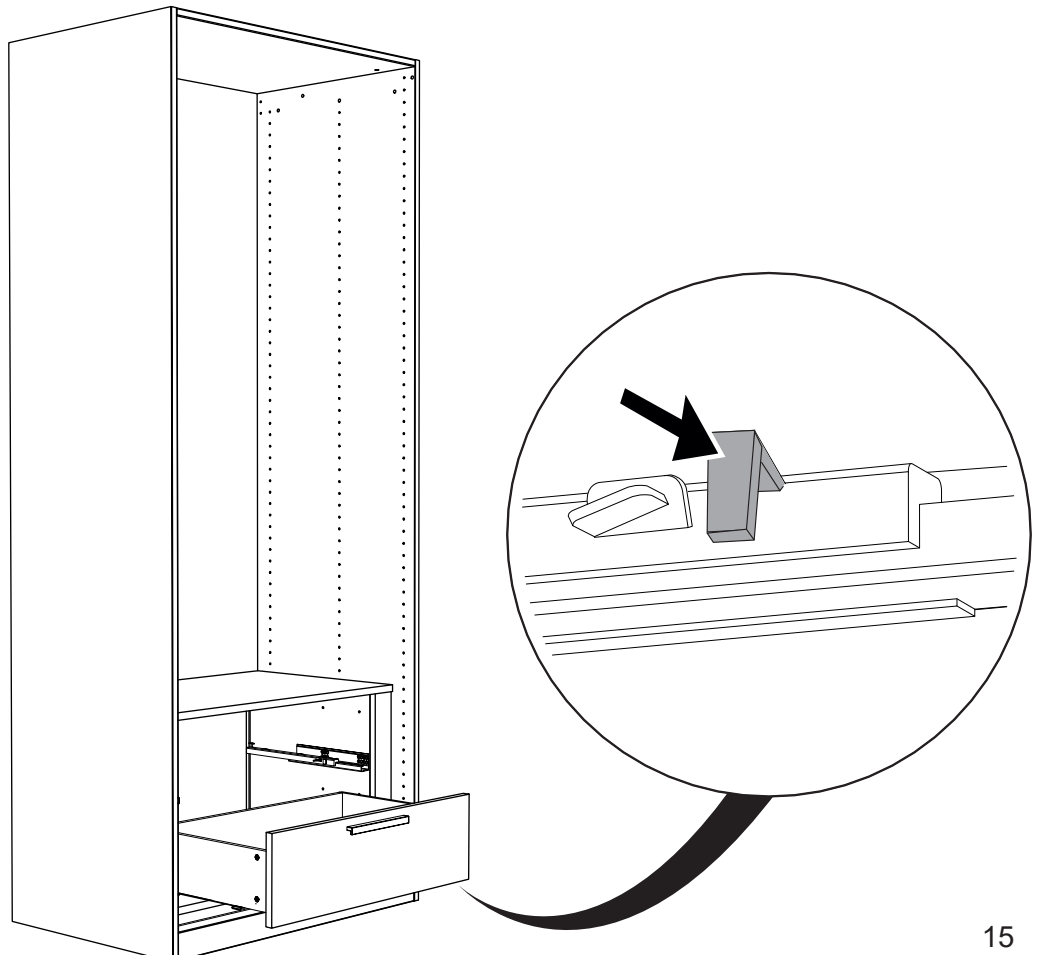
Slide drawer box onto rails until it locks in position. Pull out the locking mechanism to allow the drawer to take position. Be sure that the drawer box fits correctly as shown.



## Step 21

To prevent the drawer from lifting off the rails it must be secured with the locking mechanism. To secure, you will need to push the pin back towards the rail.

Repeat the last 2 steps for the second drawer.



# Assembly Instructions

## Step 22

### Drawer height adjustment

If you want to lift or to lower drawers, please rotate the specific paddle on the rails. (Make the same gradual adjustment on both the rails).

