

STYLEC

Wall Mounted Fireplace 2000W

H56 x W88.5 x D13.5cm

2 power settings: 1000W/2000W

Heater with flame effect

Thermostat temperature control

Remote control and weekly timer



IMPORTANT:

This product is only suitable for well-insulated spaces or occasional use.

Please read these instructions before using the product and retain for future use.

HHGL Limited, MK9 1BA

HHGL (ROI) Limited, D02 X576

Safety Warnings



1. Indoor use only.
2. Do not use the heater unless the feet are correctly attached.
3. Do not use this appliance in the immediate surroundings of a bath, a shower or a swimming pool.
4. Do not use this appliance if it has been dropped.
5. Do not use if there are visible signs of damage to the appliance.
6. Do not place the heater on carpets with a very deep pile.
7. Use this appliance on a horizontal and stable surface or fix it to the wall, as applicable. For details on the method of fixing, please refer to the user manual.
8. Ensure the power supply to the socket into which the heater is plugged, is in accordance with the rating label on the heater and that the socket is earthed.
9. Keep the power cord away from the hot body of the heater.
10. WARNING! The appliance must not be used if the glass panels, ceramic panels or panels made of similar material are damaged.
11. WARNING! In order to avoid overheating, do not cover the appliance.
12. Pay attention to this symbol , and follow instruction: Do not cover.
13. Do not place the heater close to curtains or furniture in order to avoid a fire hazard.
14. The appliance must not be located immediately below a socket outlet.
15. WARNING! To reduce the risk of fire, keep textiles, curtains, or any other flammable material a minimum distance of 1m

from the air outlet.

16. Always unplug the heater when moving it from one location to another.
17. If the supply cord is damaged, it must be replaced by the manufacturer, its service agent or similarly qualified persons in order to avoid a hazard.
18. CAUTION: In order to avoid a hazard due to inadvertent resetting of the thermal cut-out, this appliance must not be supplied through an external switching device, such as a timer, or connected to a circuit that is regularly switched on and off by the utility.
19. This appliance can be used by children aged from 8 years and above and persons with reduced physical, sensory or mental capabilities or lack of experience and knowledge, if they have been given supervision or instruction concerning use of the appliance in a safe way, and understand the hazards involved.
20. Children should not play with the appliance. Cleaning and user maintenance should not be carried out by children without supervision.
21. Children younger than 3 years should be kept away unless continuously supervised.
22. Children aged from 3 years to 8 years should only switch the appliance on/off providing it has been placed or installed in its intended normal operating position, and they have been given supervision or instruction concerning the use of the appliance in a safe way and understand the hazards involved. They should not plug in, regulate, clean the appliance or perform user maintenance.
23. CAUTION: Some parts of this product can become very hot and cause burns. Particular attention has to be given where children and vulnerable people are present.
24. WARNING: In order to avoid a hazard for very young children, this appliance should be installed so that the

- lowest heated rail is at least 600mm above the floor.
25. Remove all packaging materials before using the appliance. Keep the packaging materials away from children, as they pose a risk of swallowing and suffocation.
 26. Ensure the rated voltage shown on the rating label corresponds with the voltage of the power supply.
 27. Do not open the housing under any circumstances. Do not insert fingers or foreign objects in any opening of the appliance and do not obstruct the air vents.
 28. Protect the appliance against heat. Do not place close to heat sources such as stoves or heating appliances.
 29. **WARNING: RISK OF ELECTRIC SHOCK!** Do not immerse the appliance and its plug in water or other liquids. Do not operate the appliance with wet hands.

Technical Specification

MODEL	EF431SP-E
ARTICLE NO.	638625
WATTAGE	2000W
WEIGHT	17kg
VOLTAGE	220-240V~
FREQUENCY	50Hz
BATTERY FOR REMOTE CONTROL	2 × LR03, AAA, 1,5 V

Parts List

- A. 1 x Wall fixing bracket
- B. 1 x Mounting bracket
- C. 8 x Long screws
- D. 7 x Expanding tubes
- E. 4 x Small screws
- F. 1 x Heater
- G. 1 x Remote control
- H. 1 x Pebble bag



A.



B.



C.



D.



E.



F.

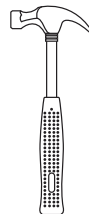
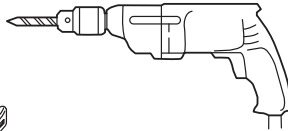
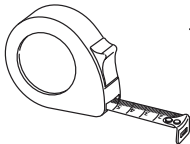


G.



H.

Tools required (not included)



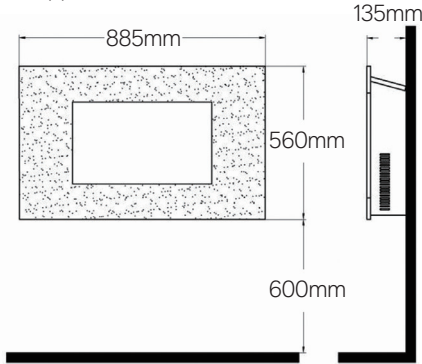
Installation

In order to avoid injury or damage to the appliance, two people are required to install. The front glass panel is attached to the left and right side of the heater body using mounted side brackets. For ease, remove the front glass panel from the appliance before mounting on the wall. Do not connect the appliance until you have read the instructions in full.

WARNING: Please choose a suitable location for your appliance, ensuring there is no wiring, pipework etc. where you intend on drilling. Take care when drilling holes and ensure you adhere to

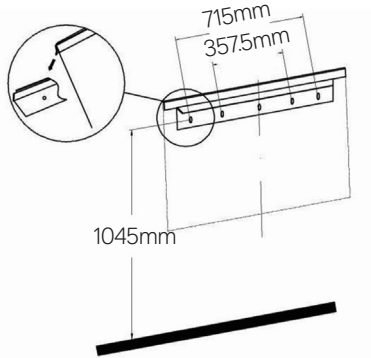
height instructions. This appliance must be wall mounted at a height of at least 300mm. The wall rail must be mounted horizontally, and the cable should be routed to the right underside of the heater.

1. For an optimal viewing angle, a distance of 600mm is required between the bottom edge of the appliance and the floor.

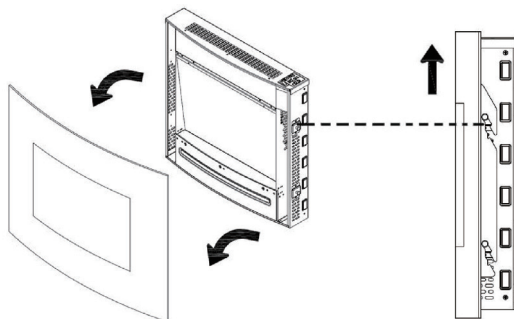


2. Mark the top four screw positions on the wall. Please take note of the dimensions and ensure measurements are accurate. Drill the screw holes using a six drill bit and attach the wall rail using the four anchors and long screws. Assemble the wall rail with the four long screws on the wall.

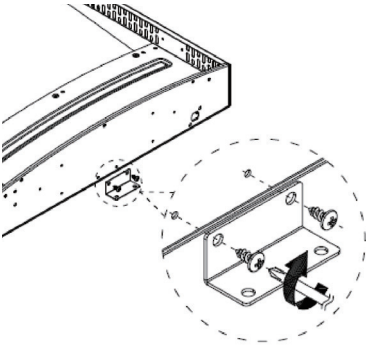
NOTE: Use a spirit level to ensure the rail is level. Mark the drilling positions accordingly.



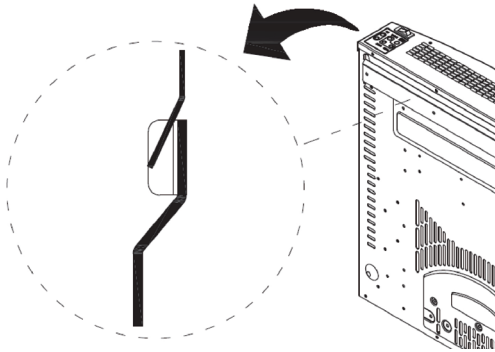
3. Remove the front glass panel from the appliance.



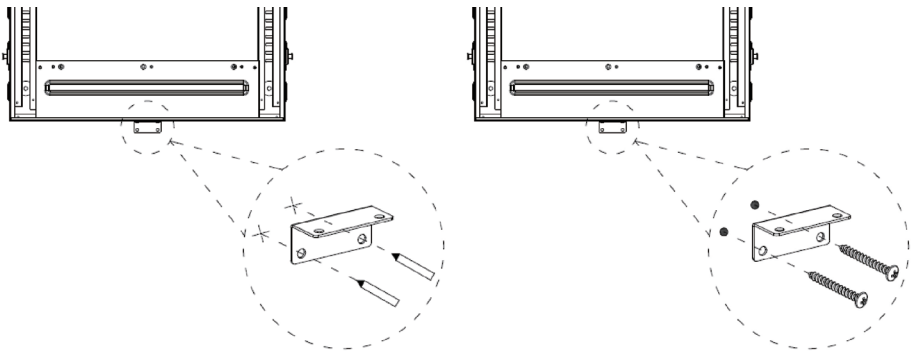
4. Install the bracket at the bottom of the appliance.



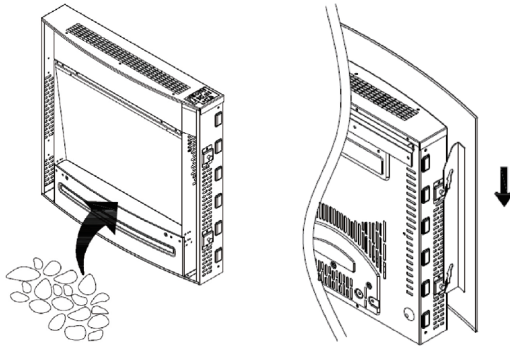
5. Carefully lift the heater. The top edge on the back of the heater must engage with the wall rail and sit in the centre.



6. Mark the two screw positions for the lower mounting bracket on the wall. Remove the heater, drill the holes and insert the dowels. Screw the mounting bracket below to the wall with the long screws.



7. Unpack the pebbles from the bag and place them along the light unit in the desired position. Place the front glass surround over the front of the fire, aligning the slots in the brackets at each side of the glass panel with the lugs on the sides of the fire.



Operation



DANGER! Risk of injury! The appliance must only be put into operation if no faults are found during the inspection. If any part of the appliance is defective, it must be replaced before the next use.

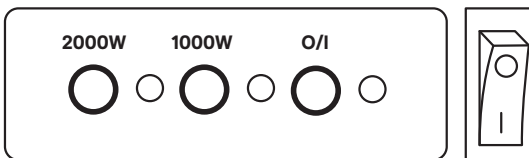
Inspect the appliance for the following:

- Check whether there are any visible defects.
- Check whether all parts of the appliance are firmly attached.
- Check whether the switch is on **[O]** before you insert the plug into the outlet.

Instructions for use

- The appliance can be operated either by the switches located on the top right hand side of the fireplace or by supplied remote control.

Manual Operation

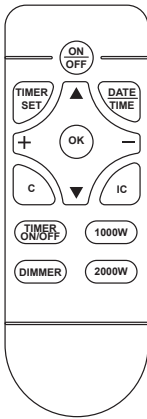


- The switches are located at the top right hand side of the fire. The standby switch must be switched on first.
- Press the **[O/I]** button once to turn on the appliance and fire effect. A red indicator light will

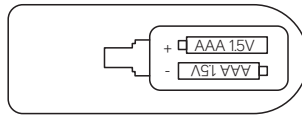
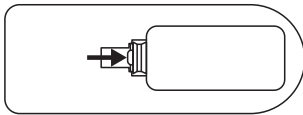
- appear to indicate that the function is ON.
- Press the **[O/I]** button for 3 seconds to operate the dimmer setting.
- Press the **[1000W]** button once for the low heat setting; press twice to switch off the heat setting.
- Press the **[2000W]** button once for the high heat setting; press twice to switch off the heat setting.

Remote Operation

Remote control



- [ON/OFF]:** Power button
- [TIMER SET]:** Timer setting button
- [DATE TIME]:** Day/Timer button
- [+/-]:** Value +/- button
- [▲/▼]:** Pointer button
- [OK]:** Confirm setting button
- [C]:** Timer clear button
- [IC]:** Auto heating button
- [TIMER ON/OFF]:** Timer on/off button
- [1000W]:** Heater power button
- [DIMMER]:** Flame brightness button
- [2000W]:** Heater power button



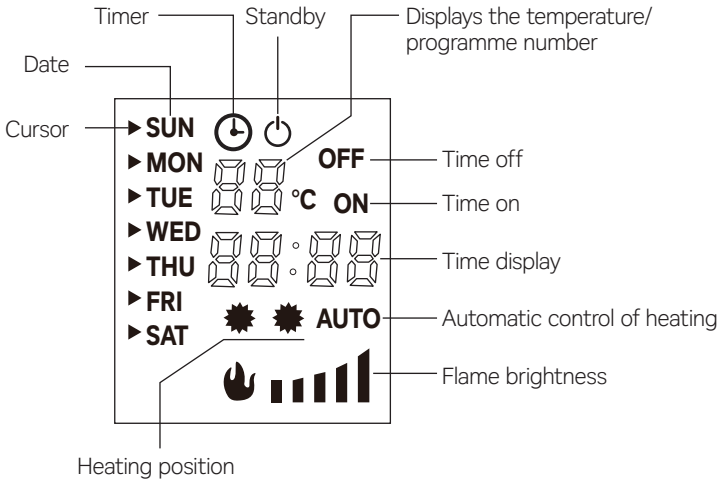
Please use 2 x 1.5V AAA batteries for the Remote control (not included). Insert the batteries side by side into the remote control. If the remote control is intended not to be used for a long time, remove the batteries from the remote control.

Note: The remote control should be pointed at the signal receiver in the digital display so that the remote control signal is received. It takes a moment for the receiver to respond to the transmitter. Press the buttons only once within two seconds. Effective distance: 5m



WARNING! Keep batteries out of the reach of children! Swallowing may cause chemical burns and possible tracheal perforation within 2 hours, resulting in serious injury or death. Seek medical attention immediately!

LED display



Temperature and programme number display

When setting the temperature, the temperature being set is displayed. Once set, the room temperature will be displayed.

When setting the timer, the programme number will be displayed.

Time display

When setting the timer, the time being set is displayed. Once set, the time will appear on the display.

'Time On' and 'Time Off' display

When setting the timer, the 'Time On' and 'Time Off' will be displayed in conjunction with the programme number.

E.g.,

05 ON means the power-on time for setting 5 is 23:40

23:40

05 OFF means the shutdown time for setting 5 is 06:10

06:10

Flame brightness display

This displays the current brightness of the flame, which ranges from 1-5.

Operating instruction

- Connect the power.
- Turn on the power switch.
- Press the control switch or **[ON/OFF]** key of the remote controller to start up.
- Press the **[1000W]** button once for the low heat setting; press twice to switch off the heat setting.
- Press the **[2000W]** button once for the high heat setting; press twice to switch off the heat setting.

- Press the **[DIMMER]** button to operate dimmer mode.

Automatic heating

- Press **[IC]** button on the remote control to start or exit the automatic heating mode.
- When automatic heating is turned on, the heater can automatically change the heating mode depending on the set temperature, and the room temperature.
- During a timed starting process, it is possible to start heating ahead of schedule.

Setting the date and time

Settings are selected on the remote control.

- Press **[DATE TIME]** button, then press the **[▲]** or **[▼]** button to select the date.
- Press **[DATE TIME]** button again, then press the **[+]** or **[-]** to set the hour.
- Press **[DATE TIME]** button again, then press the **[+]** or **[-]** to set the minutes.
- Press **[OK]** button to complete.

Temperature setting

The default set temperature is 20°C, press **[+]** or **[-]** on the remote control to set the temperature, which ranges from 15 to 30°C.

Timer setting

Description of setting

There are up to 10 options for setting the timer.

Each setting option has its date, power-on time and shutdown time.

The maximum duration of each setting is 23 hours 50 minutes.

The set date for each option can be any day or days of the week.

The date in each setting option represents the date and power-on time.

If the shutdown time being set falls on the second day, it is not necessary to set the date – you just set the shutdown time.

Time setup steps for timer setting

- Select timer setting:
 - Press the **[TIME SET]** button and the setting programme number starts to flash.
 - Press the **[+]** or **[-]** button to change the programme number until you reach the setting programme number that you want to set or change.
- Select date:
 - Press **[TIME SET]** button once again, and the cursor on the left side of the date starts blinking.
 - Press the **[▲]** or **[▼]** button to move the cursor to the corresponding date, press the **[+]** to add the corresponding date, or press **[-]** to delete the date until you have completed the selection of all dates.
- Set the start time:
 - Continue to press the **[TIME SET]** button, the hour starts blinking.
 - Press the **[+]** or **[-]** to adjust the hour.
 - Continue to press the **[TIME SET]** button, the minute starts blinking.
 - Press the **[+]** or **[-]** to adjust the minute.
- Set the shutdown time:
 - Then press the **[TIME SET]** button, the display is off, and the hour starts blinking.
 - Press the **[+]** or **[-]** to adjust the hour.
 - Continue to press the **[TIME SET]** button, the minute starts blinking.
 - Press the **[+]** or **[-]** to adjust the minute.
- Set temperature:
 - Press the **[TIME SET]** button, and the temperature set starts blinking. At this moment, the temperature displayed is normally the set temperature, which can be adjusted by pressing **[+]**

- or [-].
- Press **[TIME SET]** button to continue setting, and press **[OK]** to complete the setting.

Steps to view the timer setting

- Press the **[TIME SET]** button.
- Press the **[+]** or **[-]** to check the power-on time set by the timer.
- To check the shutdown time, press the **[▲]** button.
- Press the **[+]** or **[-]** to continue viewing.
- To delete the current setting, press **[C]**.

Time switch

[TIME ON/OFF] is to control the timed power-up and shutdown.

Restart the appliance after the power is cut off, the original setting is kept, but the current date and time must be reset.

Safety Cut-off

This appliance is fitted with a safety cut-off which will operate if the fireplace overheats (e.g. due to blocked air vents). For safety reasons, the fireplace will NOT automatically reset.

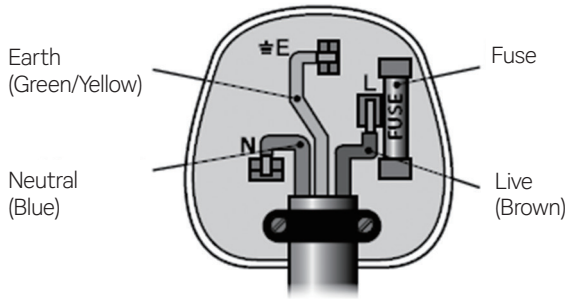
- To reset the appliance, disconnect the appliance from the mains supply for at least 15 minutes. Reconnect the supply to the mains and switch on the appliance.

Note: The appliance uses an electronically controlled LED system to create the flame effect, therefore no parts need to be replaced. There are no user-serviceable parts within this appliance. Under no circumstances should the appliance be serviced by anyone other than a qualified electrician.

Cleaning and Maintenance

1. Always disconnect the appliance from the mains supply before cleaning.
2. Clean the outside of the heater by wiping with a damp or dry cloth.
3. Do not use petroleum, any other detergent, or chemical solvent to clean the heater.
4. When the heater is not used for a long time, it should be protected from dust and stored in a clean, dry place.
5. Ensure the product is well packed then store it in a dry, well-ventilated place until it will be used again.

Plug Replacement



If you need to replace the fitted plug, then follow the instructions below.

⚠ WARNING! The wires in the mains lead are coloured in accordance with the following code:

Blue – Neutral

Brown – Live

Green/Yellow – Earth

As the colour of the wire in the mains lead of this appliance may not correspond with the coloured marking identifying the terminals in your plug, proceed as follows:

The blue wire must be connected to the terminal marked N or coloured black.

The brown wire must be connected to the terminal marked L or coloured red.

The green/yellow wire must be connected to the terminal marked or earth.

⚠ WARNING! Never connect live or neutral wires to the earth terminal of the plug. Only fit an approved BS 1363 or BS 1363/A plug and correctly rated BS 1362 13 Amp fuse. If in doubt, consult a qualified electrician.

NOTE: If a moulded plug is fitted and has to be removed, take great care in disposing of the plug and severed cable; it must be destroyed to prevent it being accidentally plugged into a power socket.

⚠ WARNING! This appliance **MUST** be earthed.

Table for information requirements for electric local space heaters

Model identifier(s): EF431SP-E					
Item	Symbol	Value	Unit	Item	Unit
Heat output				Type of heat input, for electric storage local space heaters only (select one)	
Nominal heat output	P _{nom}	2,0	kW	Manual heat charge control with integrated thermostat	[no]
Minimum heat output (indicative)	P _{min}	1,0	kW	Manual heat charge control with room and/or outdoor temperature feedback	[no]
Maximum continuous heat output	P _{max}	2,0	kW	Electronic heat charge control with room and/or outdoor temperature feedback	[no]
Auxiliary electricity consumption				Fan assisted heat output	[no]
At nominal heat output	e _{lmax}	0,014	kW	Type of heat output/room temperature control (select one)	
At minimum heat output	e _{lmin}	0,014	kW	Single stage heat output and no room temperature control	[no]
In standby mode	e _{lSB}	0,48	W	Two or more manual stages, no room temperature control	[no]
				With mechanic thermostat room temperature control	[no]
				With electronic room temperature control	[no]
				Electronic room temperature control plus day timer	[no]
				Electronic room temperature control plus week timer	[yes]
				Other control options (multiple selections possible)	
				Room temperature control, with presence detection	[no]
				Room temperature control, with open window detection	[no]
				With distance control option	[no]
				With adaptive start control	[yes]

				With working time limitation	[no]
				With black bulb sensor	[no]
Contact details:	HHGL Limited, MK9 1BA; HHGL (ROI) Limited, D02 X576				
Remark:	For electric local space heaters, the measured seasonal space heating energy efficiency cannot be worse than the declared value at the nominal heat output of the unit.				

$\eta_s=38\%$

Icon Explanation



This appliance conforms to relevant directives of The European Community.



This marking indicates that this product should not be disposed with other household waste. To prevent possible harm to the environment or human health from uncontrolled waste disposal, recycle it responsibly to promote the sustainable reuse of material resources. To return your used appliance, please use the return and collection systems or contact the store where the appliance was purchased. They can take this product for environmentally safe recycling.

Warranty

EF431SP-E / Wall Mounted Fireplace Heater

This product is covered by a 2 year warranty.

The warranty covers any manufacturing defect in materials, workmanship and finish. Any claim under this warranty must be made by going to your nearest Homebase store, taking your proof of purchase with you, and claims must be made within 2 years of the date of purchase.

We will offer you a free repair of the item where this is possible, or a replacement or a refund. Your statutory rights remain unaffected, in particular any rights you may have under the Consumer Rights Act 2015.

This warranty is given by HHGL Limited, MK9 1BA; HHGL (ROI) Limited, D02 X576.

Please note: This warranty does not apply to products misused or neglected and only covers domestic use. It does not apply to commercial use of the product.