

TOILET
ROLL
HOLDER

HOMEBASE
EDIT

INSTRUCTION MANUAL

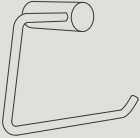



IMPORTANT: Please read these instructions before using the product and retain for future use.

HHGL Limited, MK9 1BA
HHGL (ROI) Limited, D02 X576

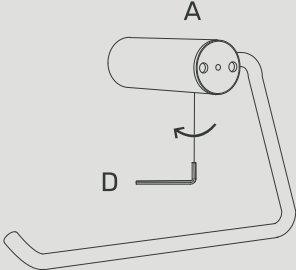
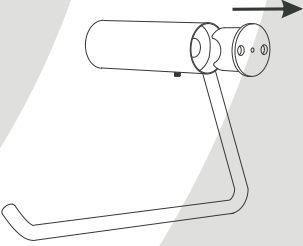
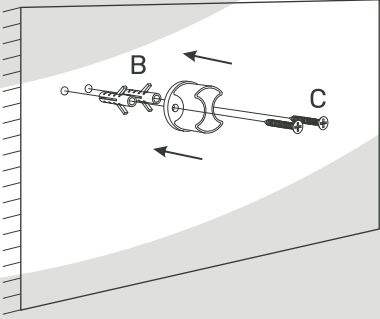
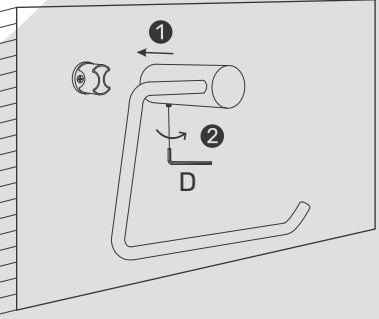
TOILET ROLL HOLDER INSTALLATION

- Always check intended wall area to be drilled is free from hidden electrical wire, water and gas pipes.
- Make sure the fixing is suitable for your wall type. Consult a qualified tradesperson if you are unsure.
- Please make periodic checks to ensure that all screws are fully tightened.

PACK CONTENTS

 <p>A x 1 Toilet Roll Holder</p>	 <p>B x 2 Wall Plug</p>	 <p>C x 2 Wall Plug</p>	 <p>D x 1 Allen key</p>
---	--	--	--

FITTING INSTRUCTIONS

 <p>1</p> <p>Diagram 1: A toilet roll holder (A) is shown with an Allen key (D) being used to adjust the tension of the spring mechanism. The Allen key is inserted into the bottom hole of the holder's frame.</p>	 <p>2</p> <p>Diagram 2: A toilet roll is being inserted into the holder. An arrow indicates the direction of insertion from right to left.</p>
 <p>3</p> <p>Diagram 3: The toilet roll holder is being mounted to a wall. Two wall plugs (B) are being inserted into pre-drilled holes in the wall. The holder's mounting bracket (C) is being aligned with the wall plugs.</p>	 <p>4</p> <p>Diagram 4: The toilet roll holder is fully mounted to the wall. Two screws (C) are being tightened into the wall plugs. An Allen key (D) is used to adjust the tension of the spring mechanism. Arrows 1 and 2 indicate the direction of tightening and adjustment.</p>