

BATHROOM  
STORAGE  
UNIT  
WHITE

**HOMEBASE**  
EDIT

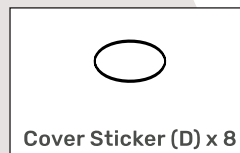
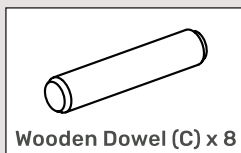
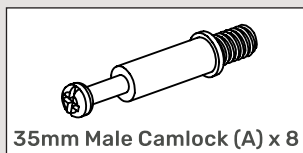
INSTRUCTION MANUAL

IMPORTANT: Please read these instructions before  
using the product and retain for future use.

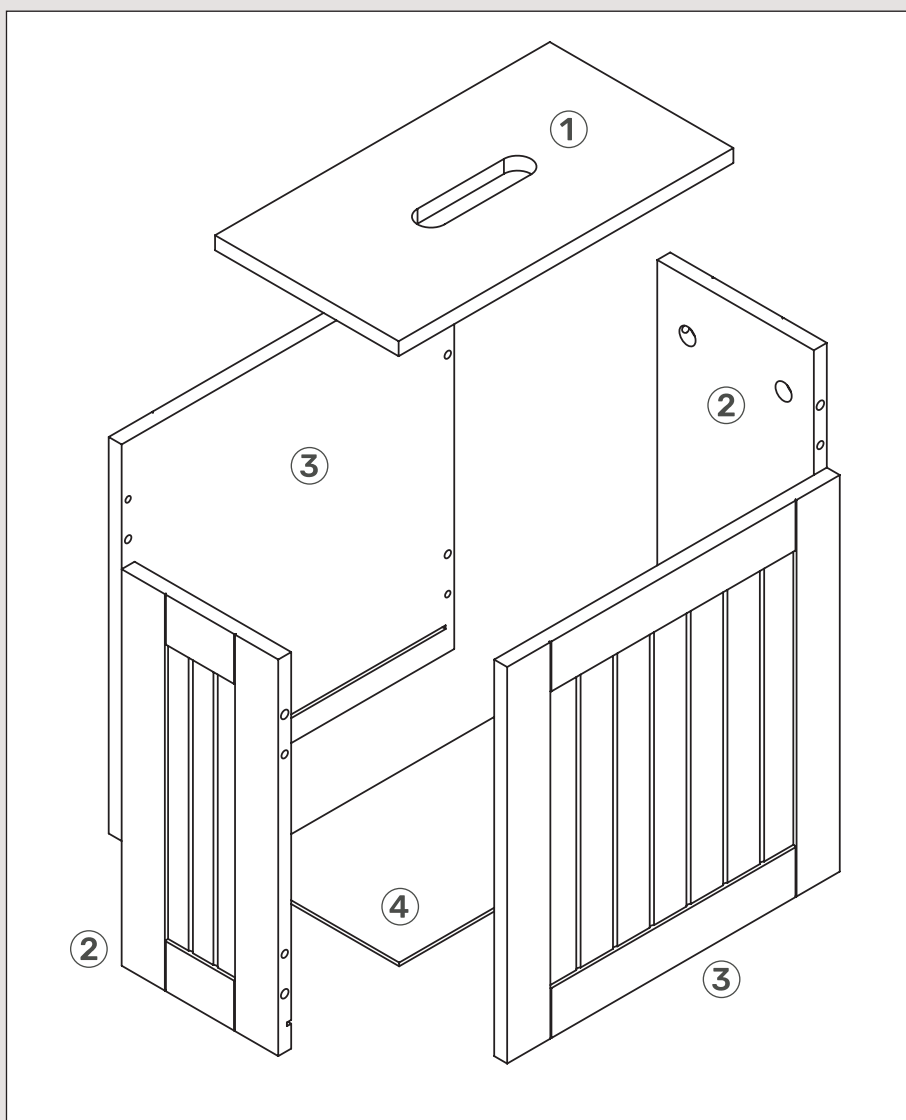
HHGL Limited, MK9 1BA;  
HHGL (ROI) Limited, D02 X576

# PARTS LIST

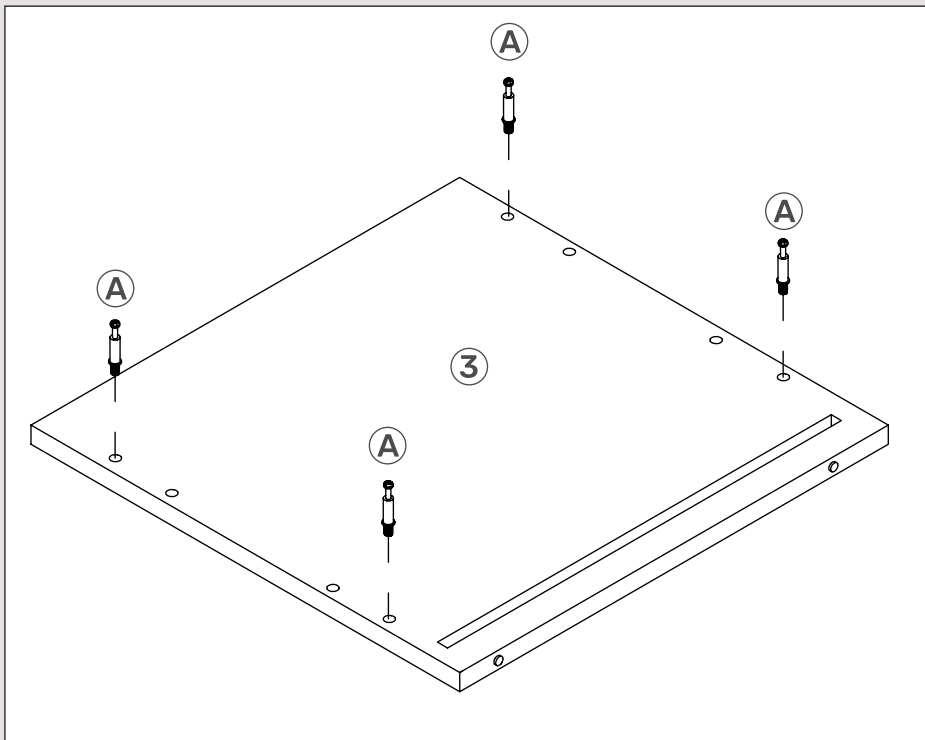
## HARDWARE



## ELEMENTS

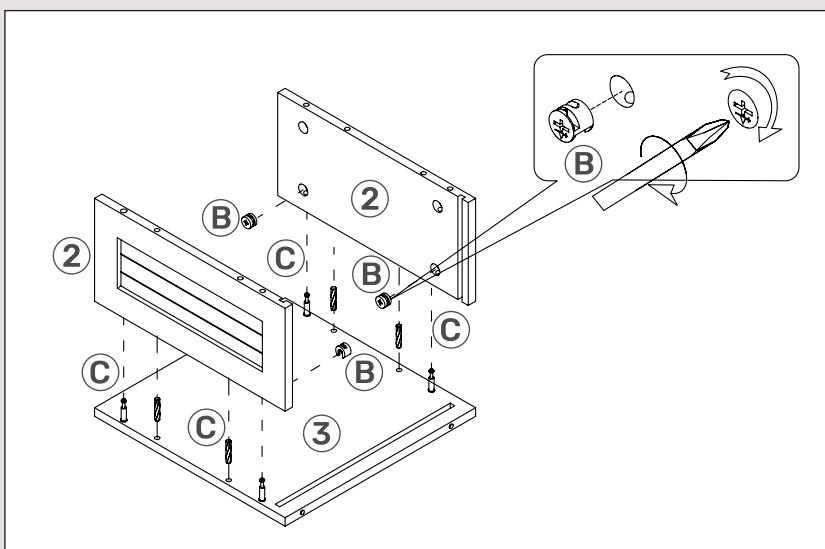


# ASSEMBLY



## Step 1

1. Screw 4 x male camlocks (A) into the back panel (3).

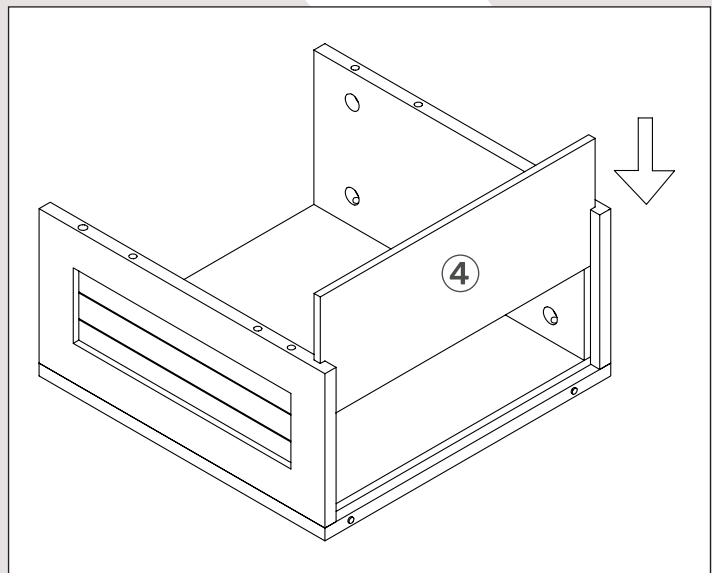


## Step 2

1. Insert 2 x bamboo dowels (C) into the two middle holes in each side panel (2) and attach to the back panel (3). Ensure the four holes on each side panel are facing inward and the slots align on both side and back panels.
2. Secure each side panel to the back panel using the 2 x female camlocks (B).

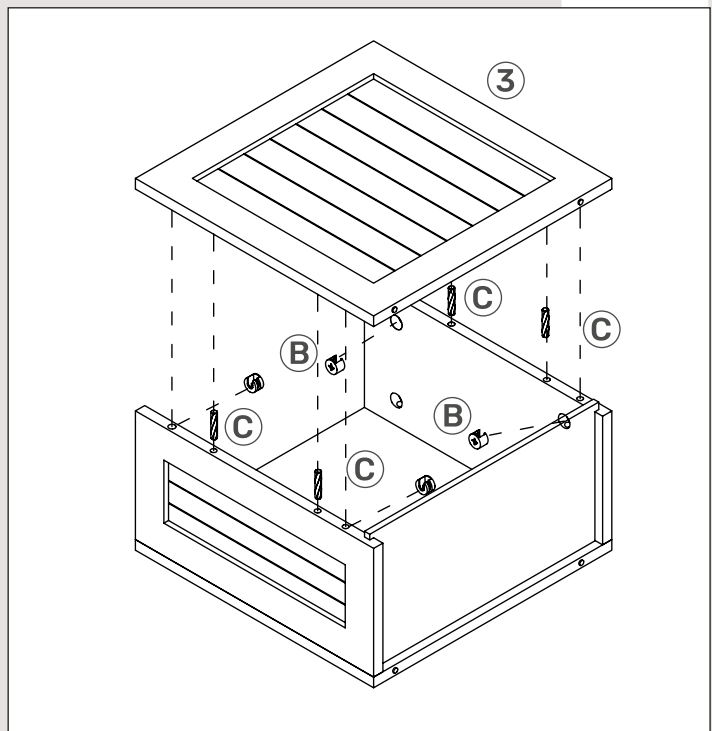
### Step 3

1. Insert the bottom panel (4) into side and back panel slots.



### Step 4

1. Screw 4 x male camlocks (A) into the front panel (3).
2. Repeat step 2 to attach the front panel (3) to the side panels using the wooden dowels (C) and camlocks (A & B). Ensure that the bottom panel (4) aligns with the slot in the front panel.



## Step 5

1. Cover the female camlock screw holes on the inside of the unit using the 8 x cover stickers (D).
2. Place the lid (1) on top of the unit.

