

BATHROOM
STORAGE
UNIT
RATTAN

HOMEBASE
EDIT

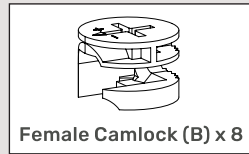
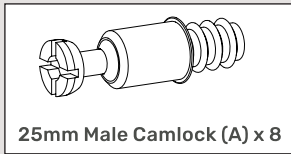
INSTRUCTION MANUAL

IMPORTANT: Please read these instructions before
using the product and retain for future use.

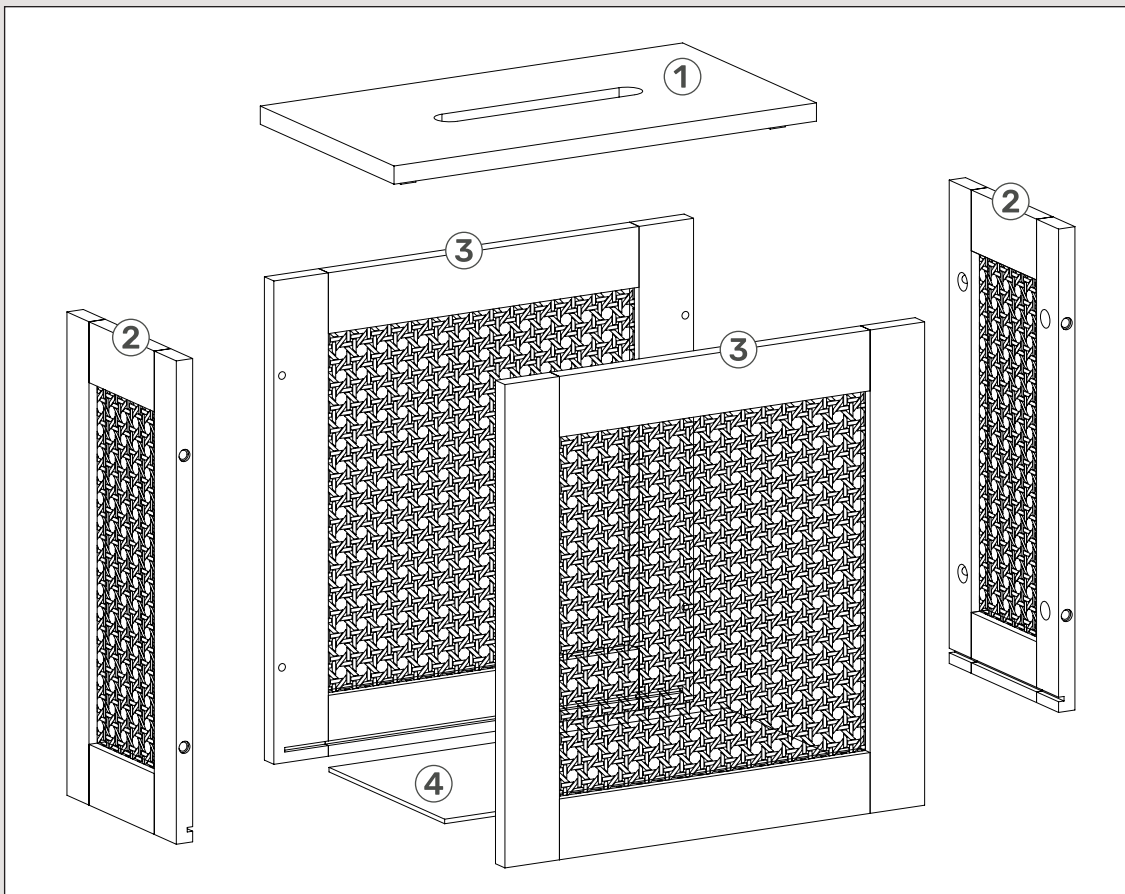
HHGL Limited, MK9 1BA;
HHGL (ROI) Limited, D02 X576

PARTS LIST

HARDWARE



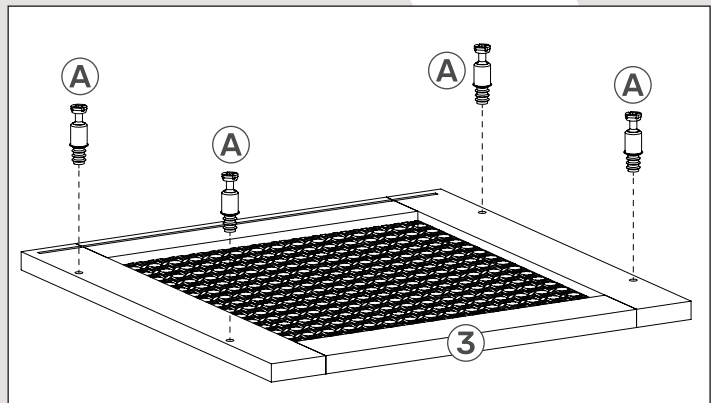
ELEMENTS



ASSEMBLY

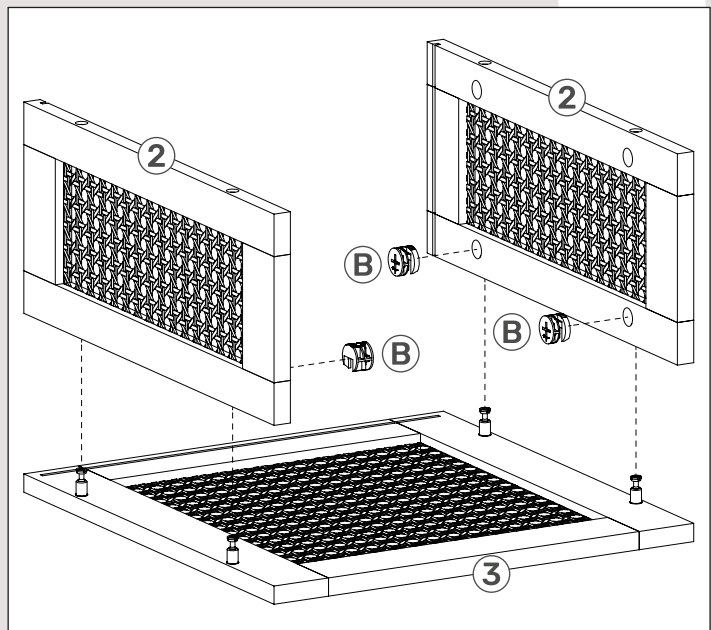
Step 1

1. Screw 4 x male camlocks (A) into the back panel (3).



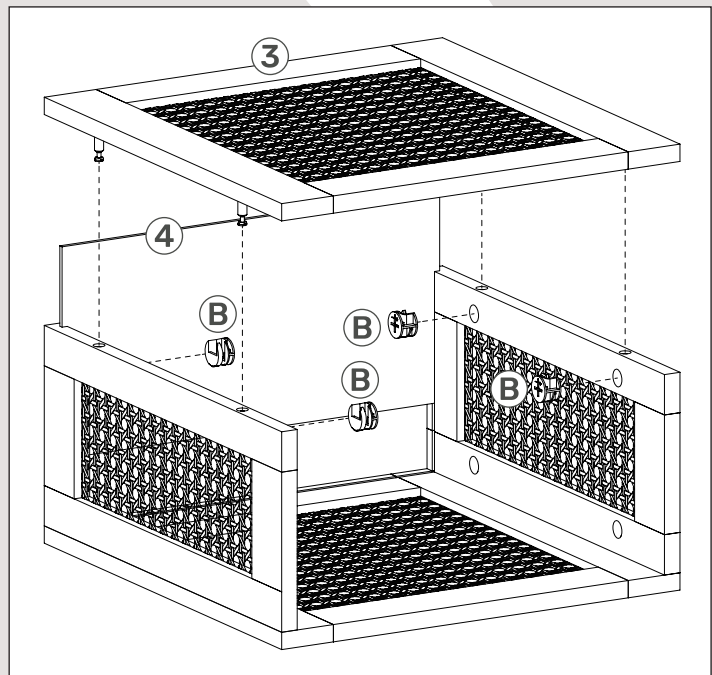
Step 2

1. Attach the 2 x side panels (2) to the back panel (3). Ensure the four holes on each side panel are facing inward and the slots align on both side and back panels.
2. Secure each side panel to the back panel using the 2 x female camlocks (B).



Step 3

1. Insert the bottom panel (4) into side and back panel slots.
2. Screw 4 x male camlocks (A) into the front panel (3).
3. Repeat step 2 to attach the front panel (3) to the side panels using the camlocks (A & B). Ensure that the bottom panel (4) aligns with the slot in the front panel.



Step 4

1. Place the lid (1) on top of the unit.

