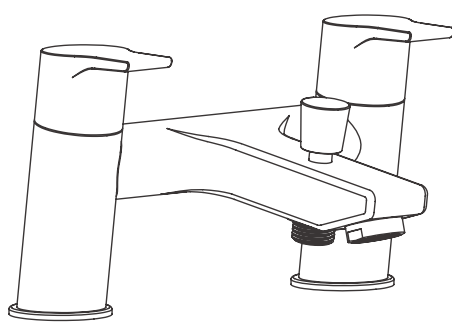
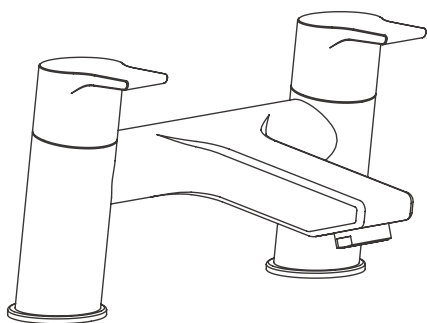
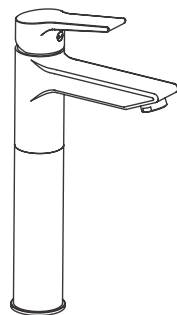
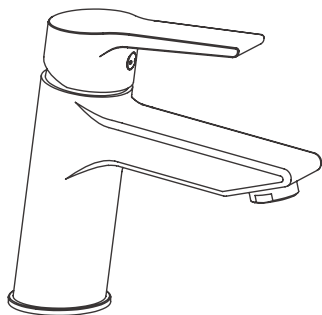


FRANCIS

PEGLER



Tempest

C7200812_V2

About Installation

Care must be taken during installation to prevent damage to the product or injury to the installer.

Installation must be carried out by a qualified and competent person, and in accordance with the instructions supplied with the product.

All installations must comply with Local and National regulations.

Please ensure that you have read and understood all sections of this guide BEFORE installation.

Water Regulations

Although this product has been designed for use in all types of systems, the water supply to your taps must be connected in accordance with the Water Regulations, and good plumbing practice.

Pegler Yorkshire recommends that hot and cold water supplies to the tap are at equal pressure, in order to give consistent flow. If this is not possible, non-return valves **must** be fitted to both supplies in accordance with current Water Regulations. These recommendations apply to both mains and tank fed systems.

Flushing

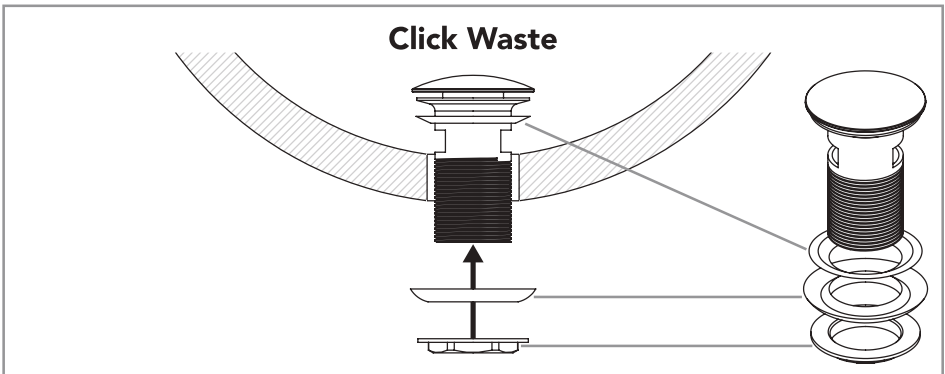
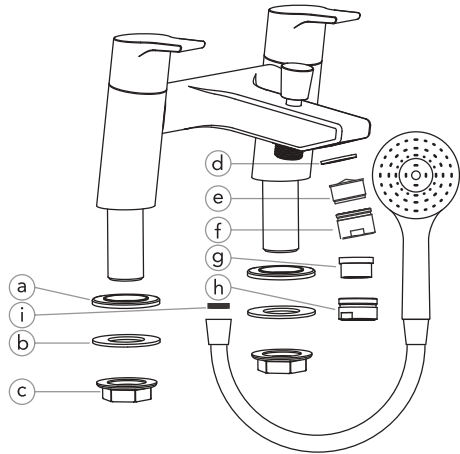
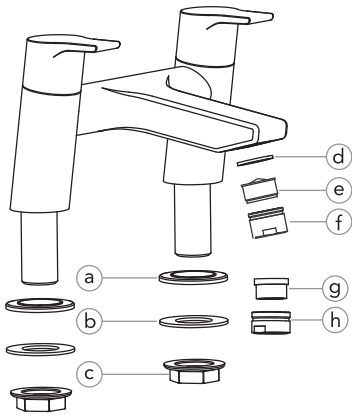
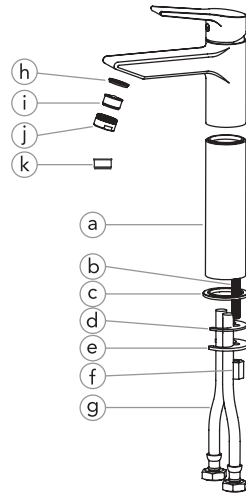
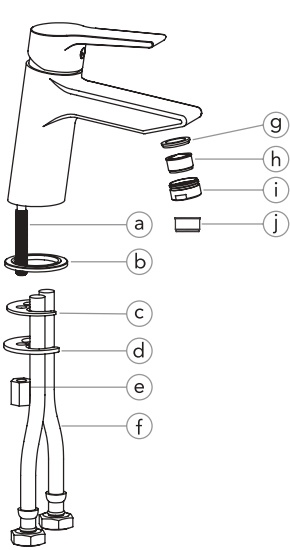
The Water Regulations requires fittings to be flushed before first use (Schedule 2 Paragraph 13). Pegler Yorkshire recommends that supplies are **thoroughly flushed** to remove debris **BEFORE** making any pipe connection to the tap. Failure to do so could result in damage to the product or unsatisfactory performance.

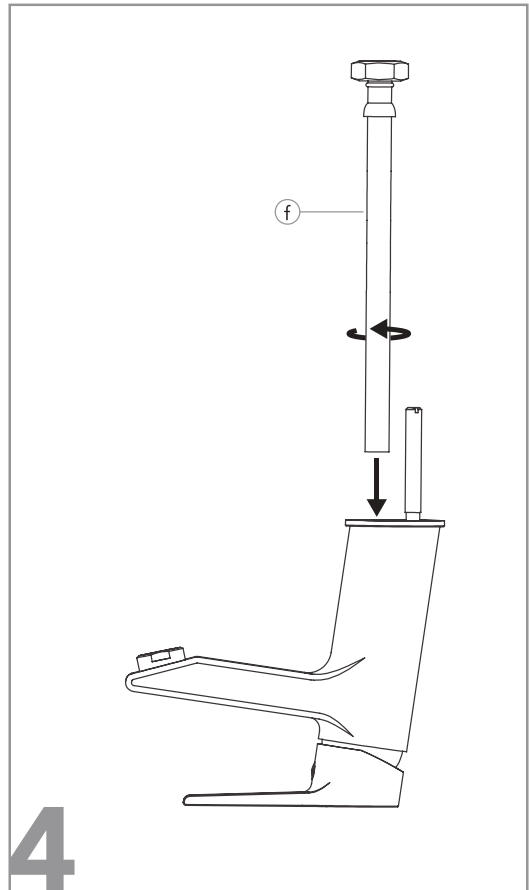
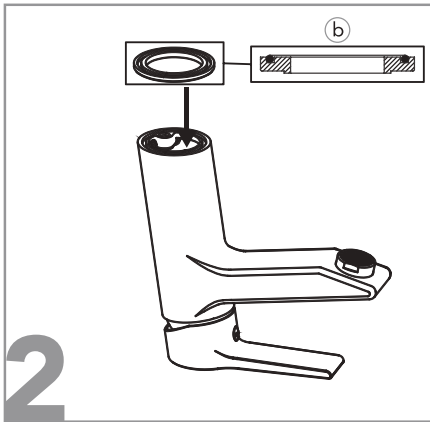
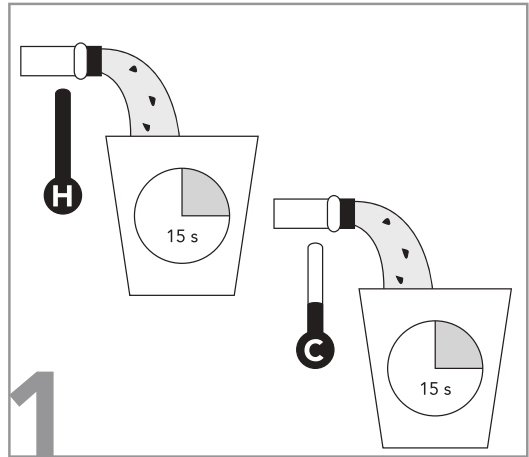
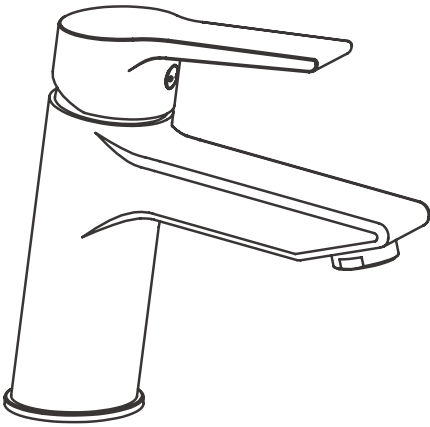
Water Pressure

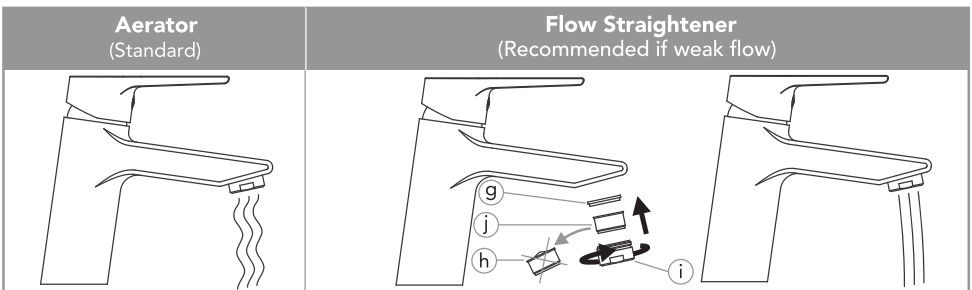
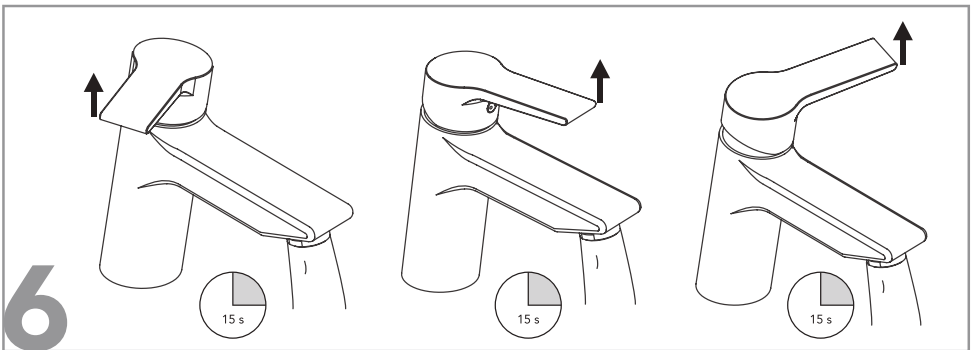
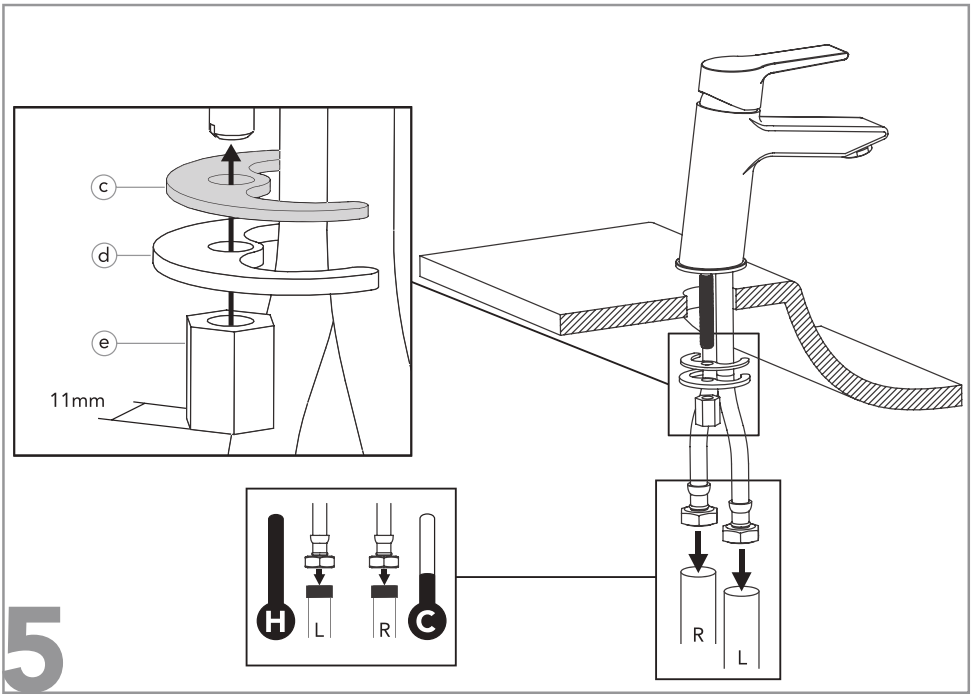
These taps are suitable for use with a water supply pressure between **0.2 bar** and **6 bar**.

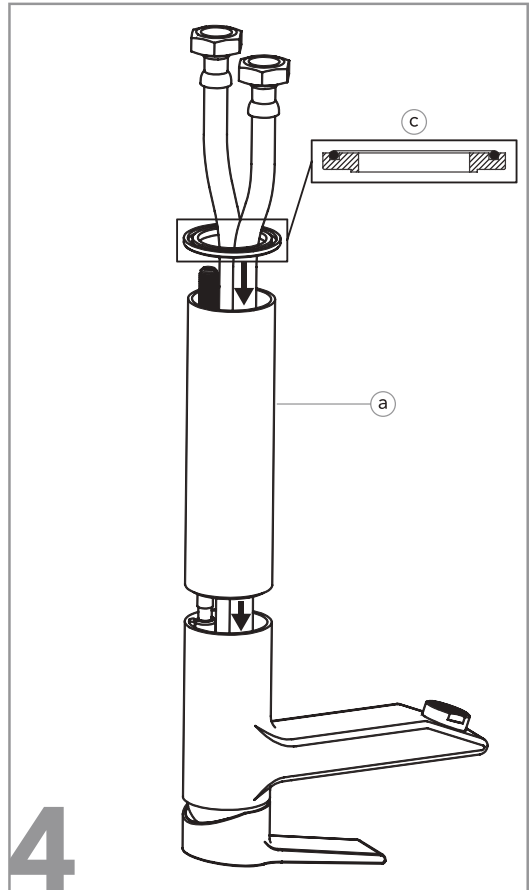
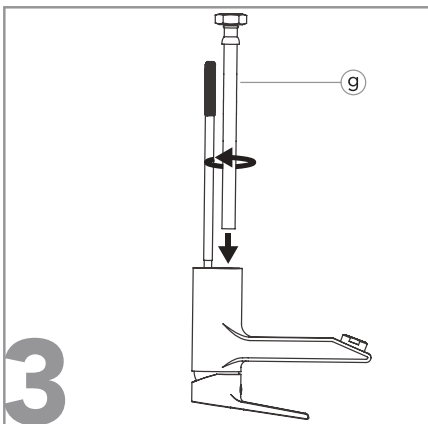
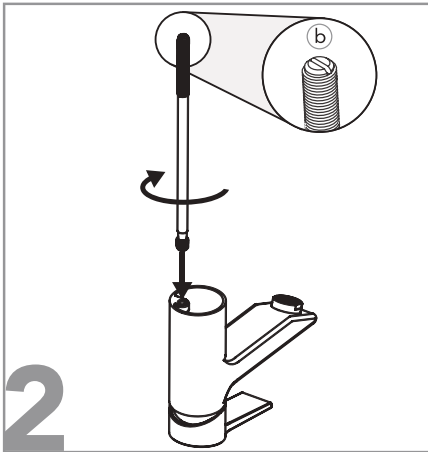
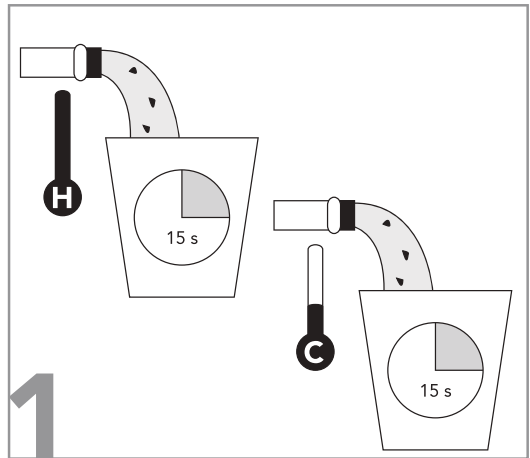
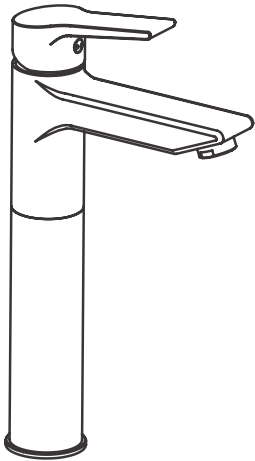
At high pressure, excessive flow may be reduced by fitting **Flow Restrictors**. Fitting a **Stop Valve** or **Service Valve** in the pipework will allow your tap to be conveniently isolated for maintenance.

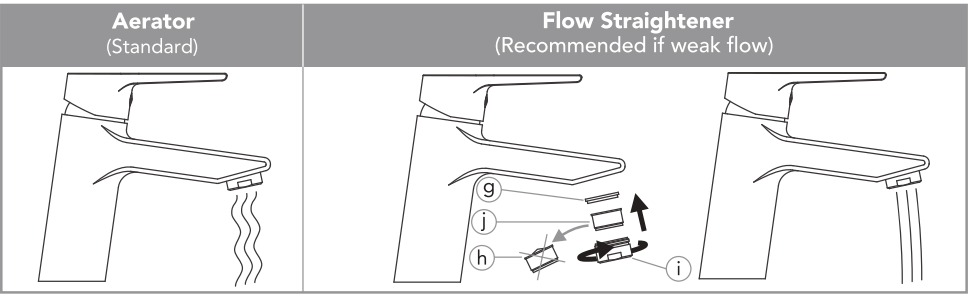
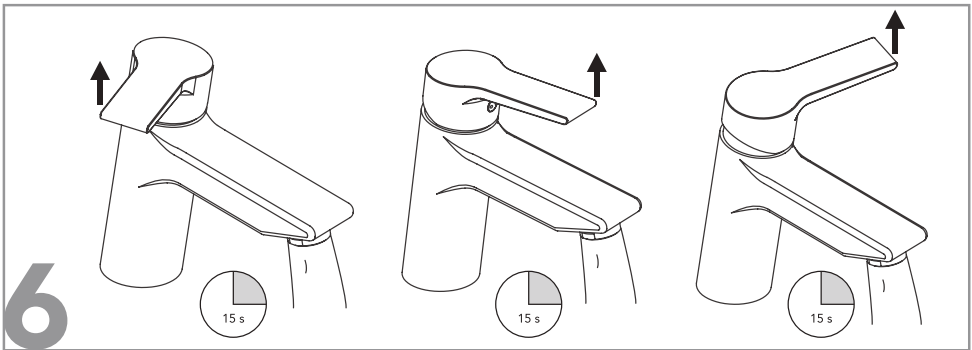
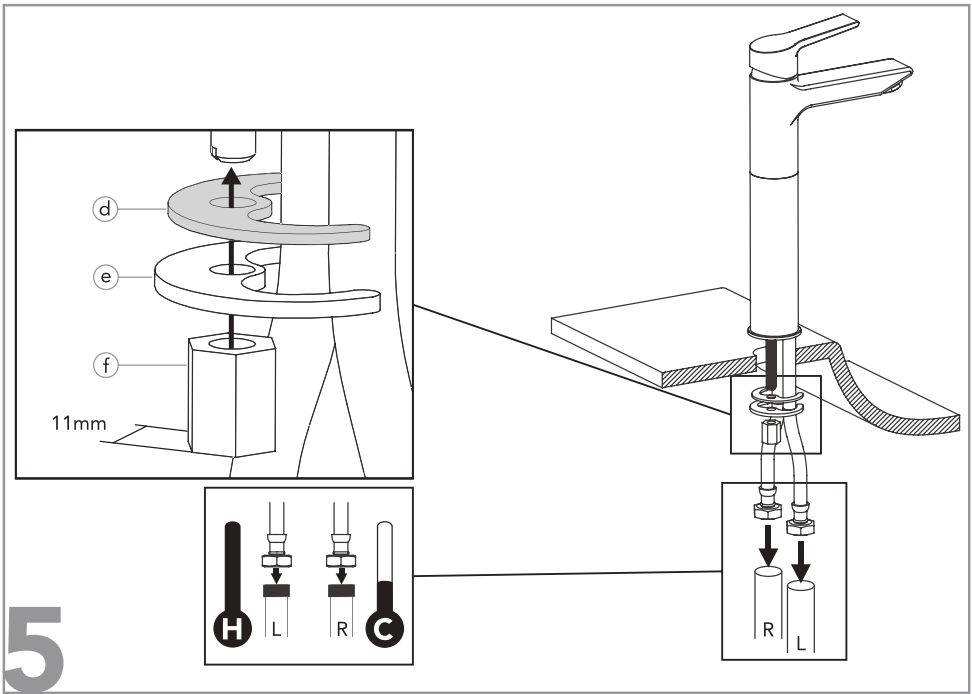
NOTE Mixers are supplied with a standard Flow Straightener. Some Mixers are supplied with an alternative Aerator Nozzle which can be fitted when used with high pressure systems to reduce splashing.

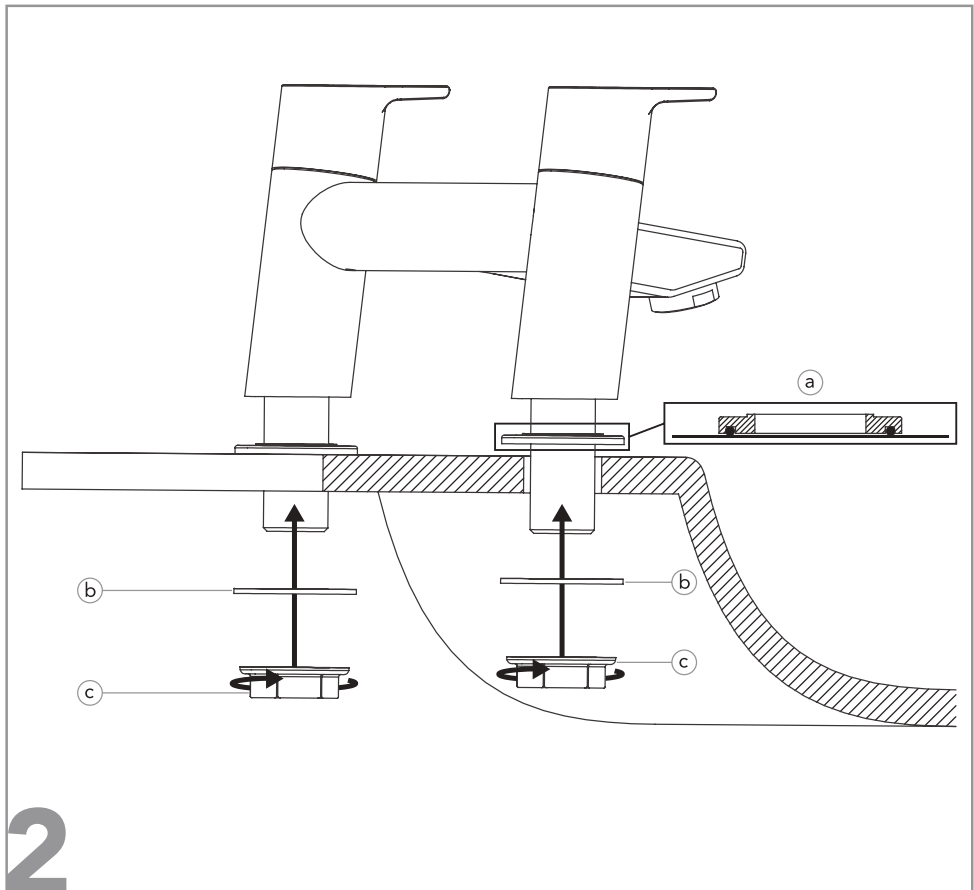
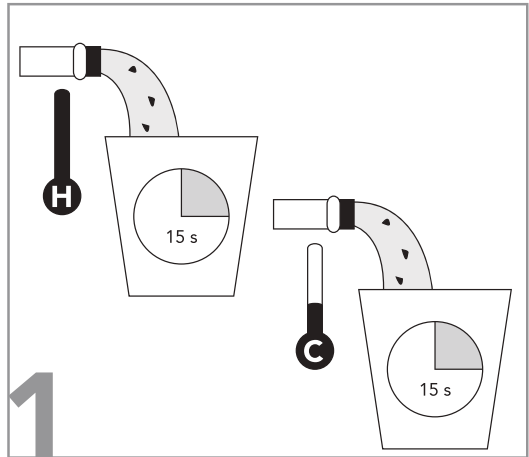
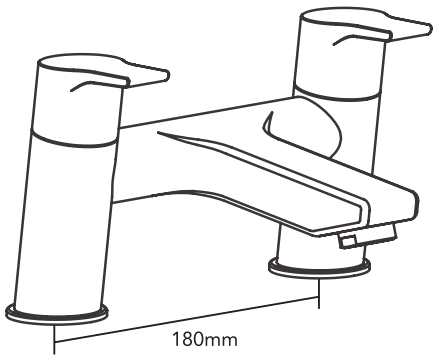


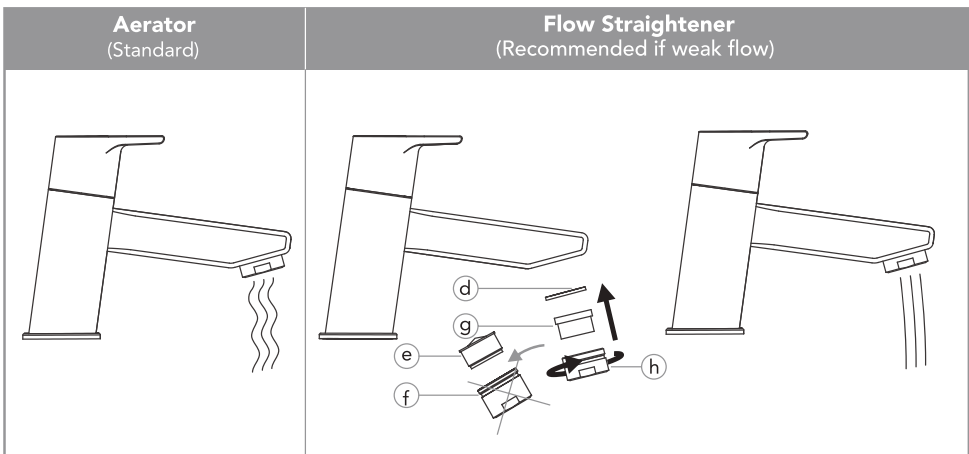
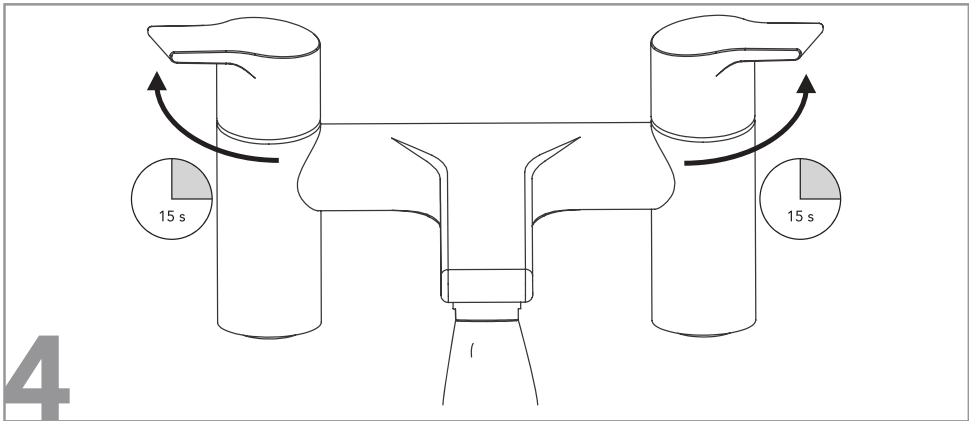
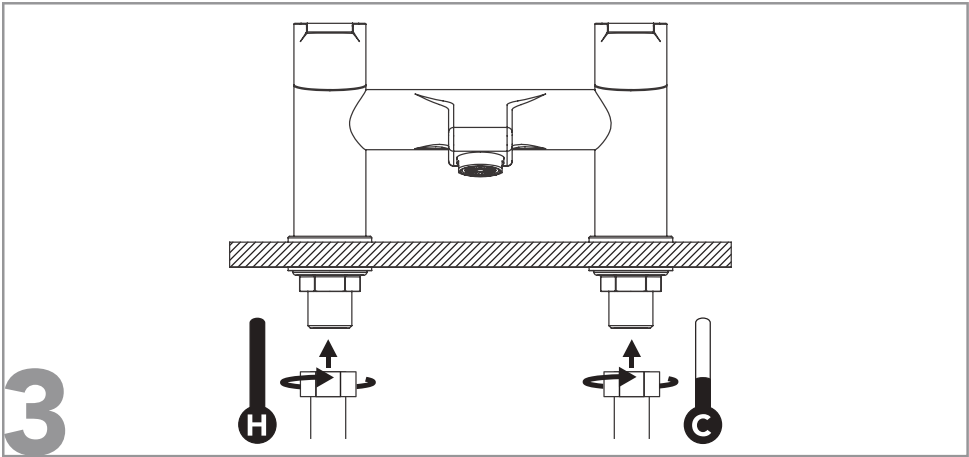


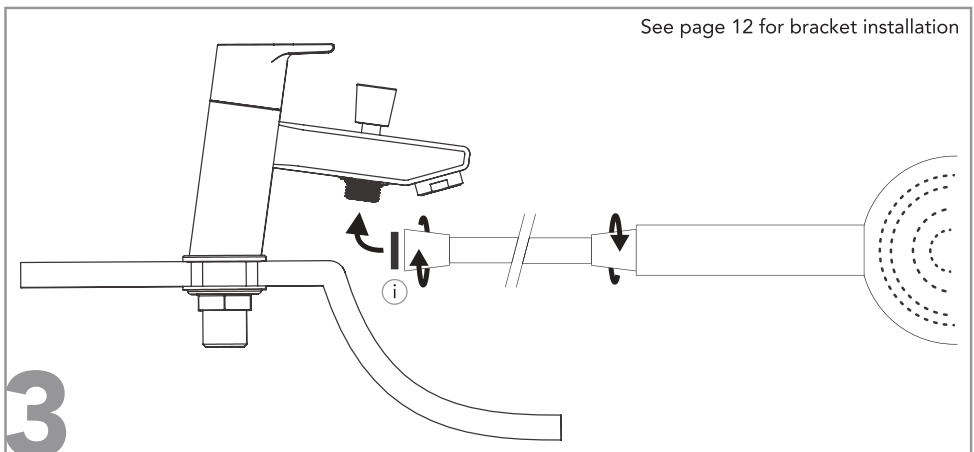
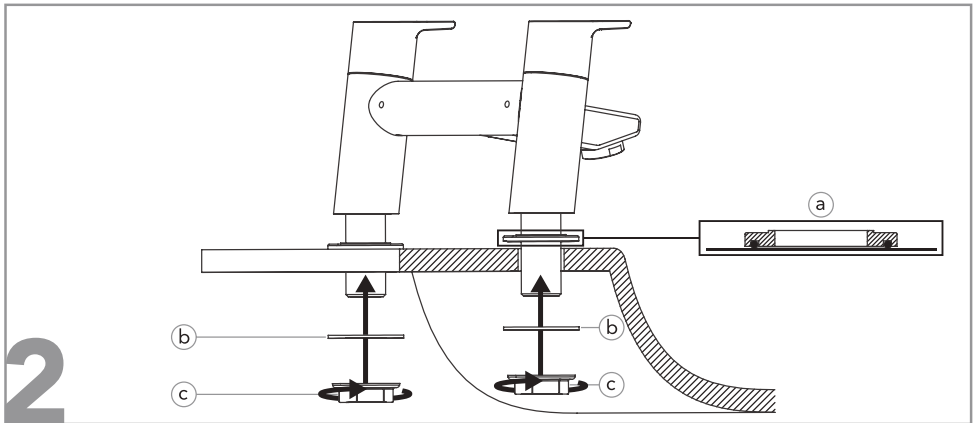
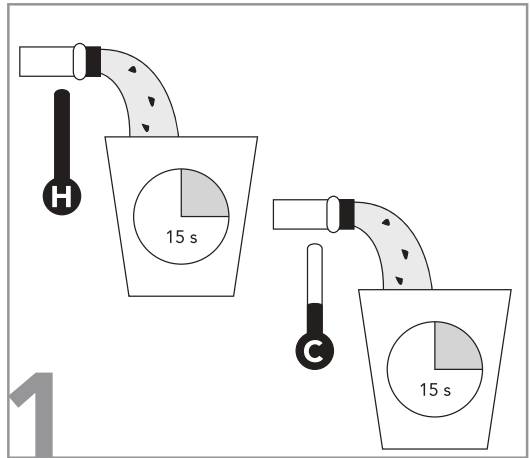
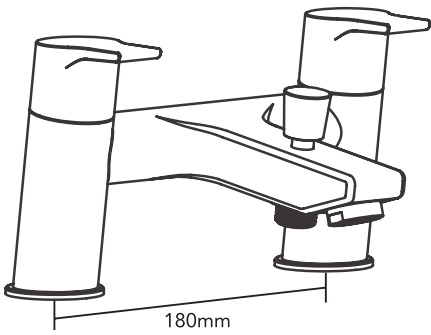


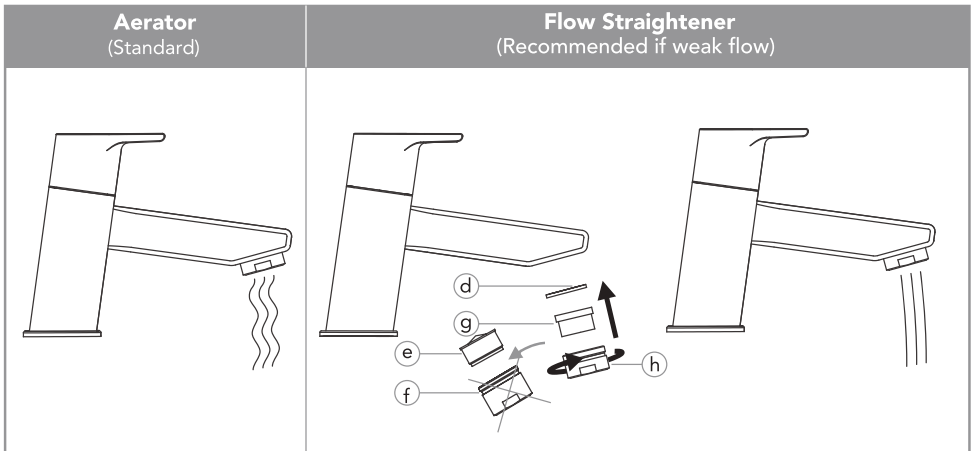
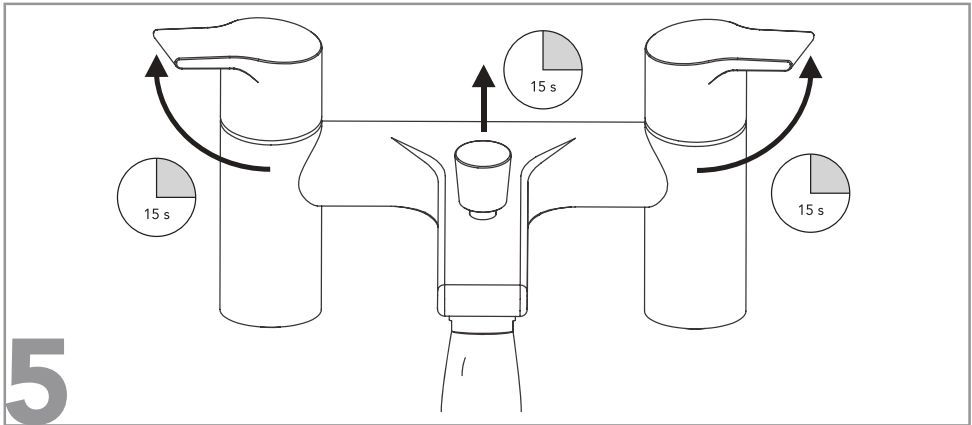
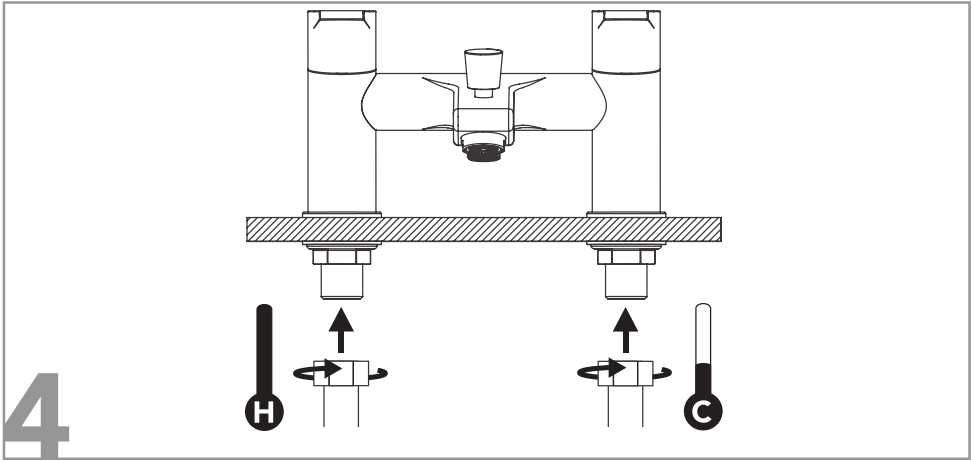






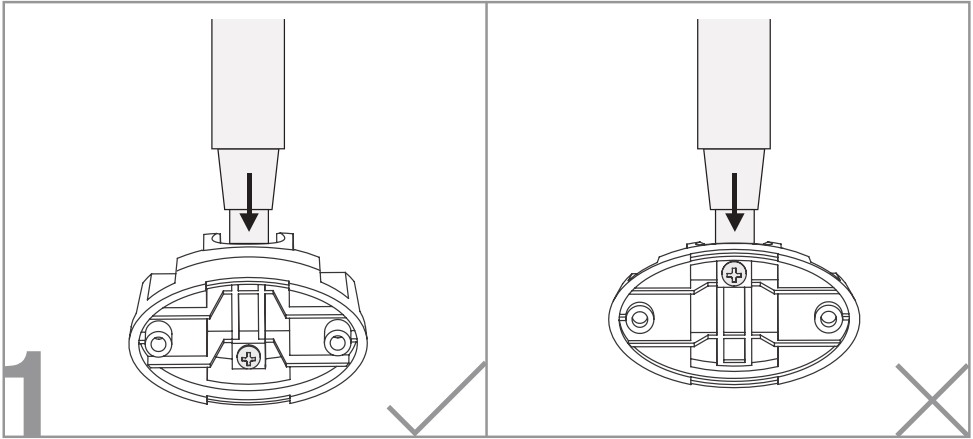




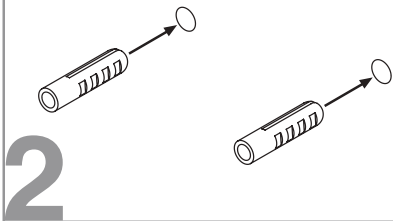


Installer Notes

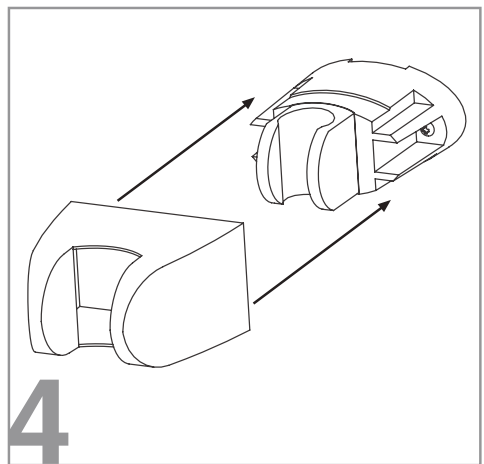
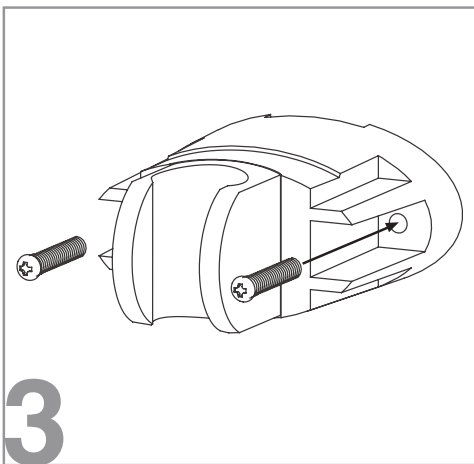
Shower Bracket



It is the installer's responsibility to ensure correct fittings are used for wall material.



Cut out this template to drill holes and mark position of bracket



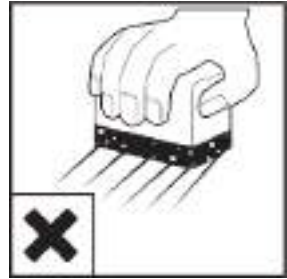
Care and Maintenance



- Use a soft damp cloth to clean the tap
- Use a soft cloth to dry the tap
- You can use mild detergent to clean



- Never use concentrated or strong bleach when cleaning



- Never use abrasive household cleaners or scourers
- Avoid using sharp tools

Installer Notes

This information must be provided by the INSTALLER to validate the warranty.

Warranty	
Product Code	
Supplier Details	
Supplier	Date of Purchase
Contact no.	Email
Address	
Installer Details	
Installer	Date of Installation
Contact no.	Email
Address	
Signature of Installer	

Technical Support

Telephone
01942 265 311

Email
support@francispegler.co.uk