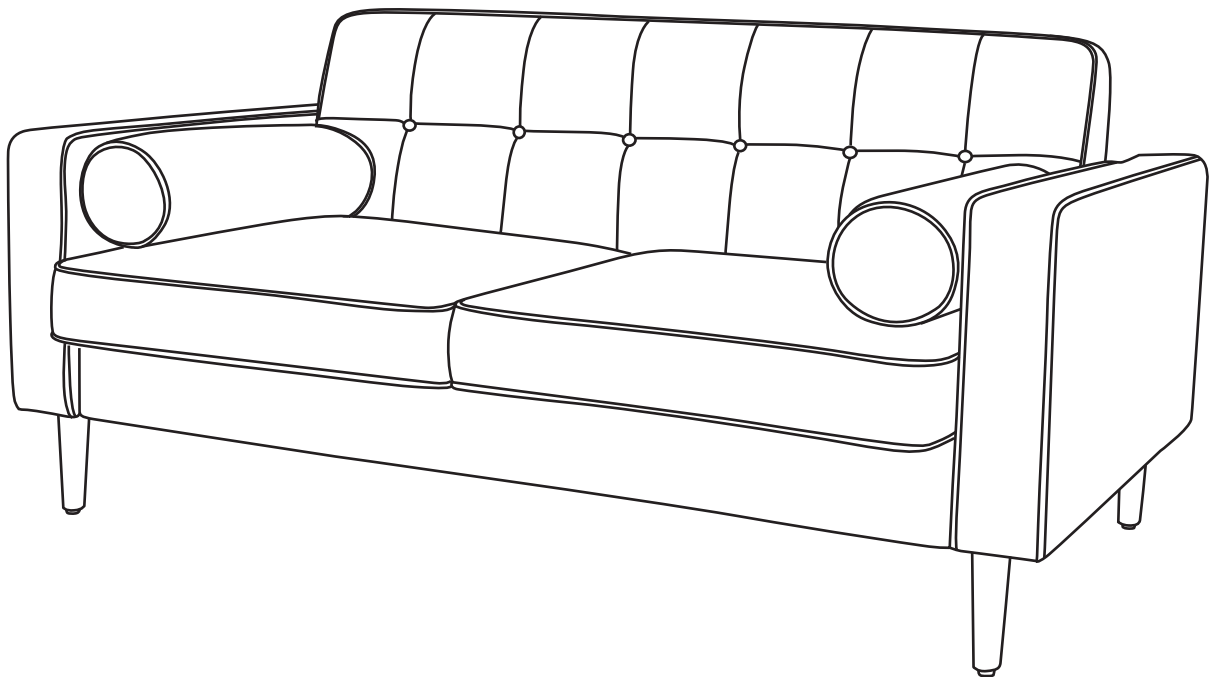


**HOMEBASE**

# **DRAPER WEAVE 3 SEATER SOFA**

H89 x W198 x D87cm



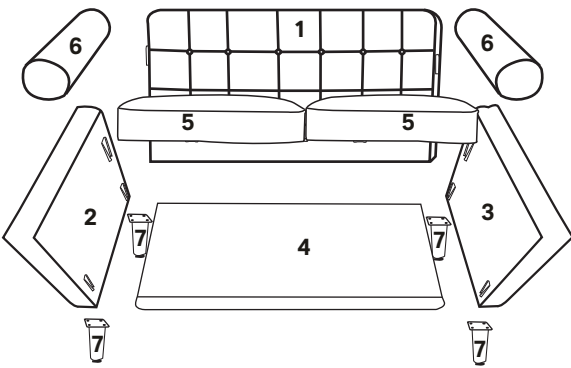
## **INSTRUCTION MANUAL**

**IMPORTANT:** Please read these instructions before using the product and retain for future use.

HHGL Limited, MK9 1BA; HHGL (ROI) Limited, D02 X576

# ASSEMBLY INSTRUCTIONS



**PLEASE CHECK THAT YOU HAVE ALL THE PARTS LISTED BEFORE YOU START ASSEMBLY. IF YOU DO FIND THAT SOMETHING IS MISSING, DO NOT CONTINUE ASSEMBLY. PLEASE CONTACT YOUR LOCAL STORE.**



## Parts:

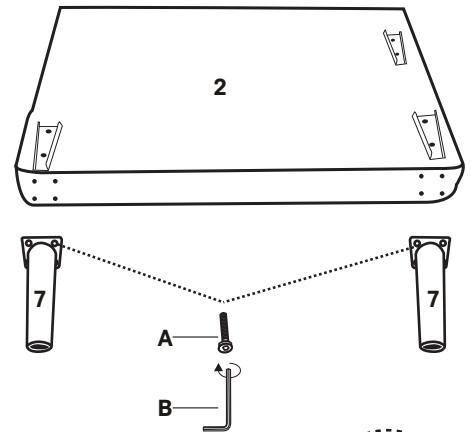
No.	Description	Qty
1	Sofa back	x1
2	Sofa right arm	x1
3	Sofa left arm	x1
4	Sofa base	x1
5	Sofa seat cushions	x2
6	Bolsters	x2
7	Sofa legs	x4

## Fittings:

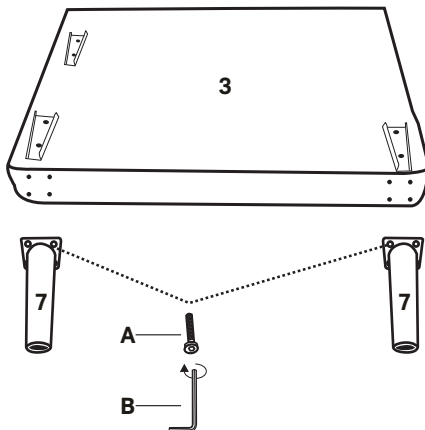
No.	Description	Qty
A	Bolts 	x 16
B	Allen key 	x 1

Place the sofa right arm (2) inside facing up on a clean and stable surface.  
 Attach the sofa legs (7) using bolts (A), as illustrated in step 1.  
 Place the sofa left arm (3) inside facing up on a clean and stable surface.  
 Repeat the above step, as illustrated in step 2.  
 All bolts are universal.  
 Assemble all bolts finger-tight first, then fully tighten with allen key (B) provided.  
 Put the sofa back (1) onto the sofa right arm (2) and sofa left arm (3), as illustrated in step 3.  
 Put the sofa base (4) onto the sofa arms and sofa back, as illustrated in step 4.  
 Finally, put the sofa seat cushions (5) and bolsters (6) on the sofa base (4), as illustrated in step 5.

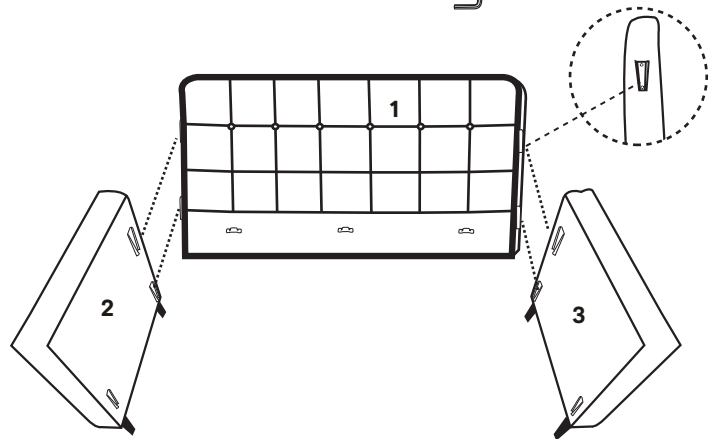
### Step 1



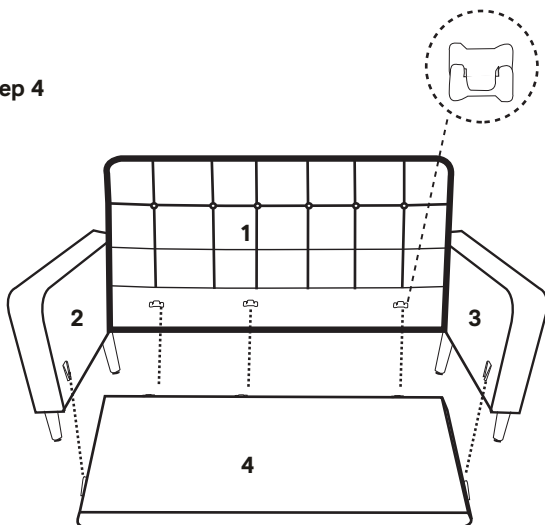
### Step 2



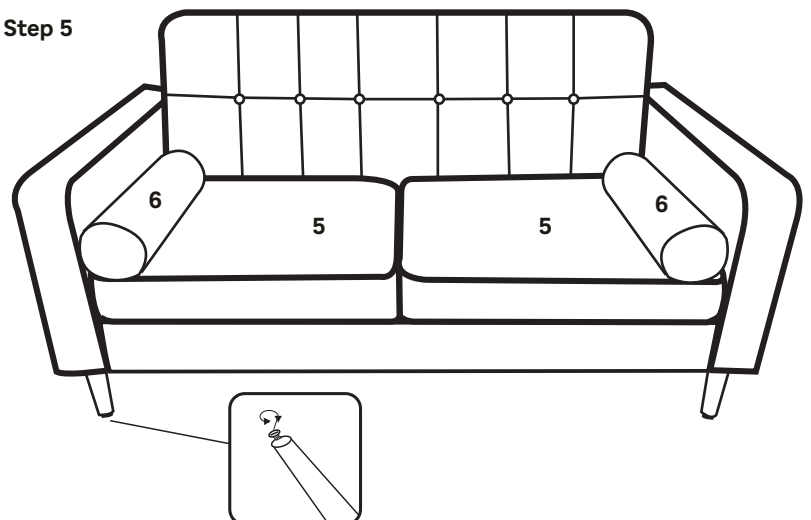
### Step 3



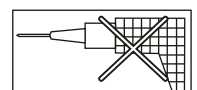
### Step 4



### Step 5



**THE USE OF POWER TOOLS TO ASSEMBLE THIS PRODUCT WILL INVALIDATE ANY WARRANTY, AND MAY DAMAGE THIS PRODUCT MAKING IT UNSAFE.**



**General care:**

Over time, the fabric can become crushed and change in appearance slightly, however, there are some simple measures you can take to preserve its softness and alluring appeal.

For items of furniture that are facing heavy use, it's advisable to gently vacuum the fabric with an upholstery attachment at least once a week. Alternatively, you can also use a soft bristled brush or clothes brush. Always blot spills immediately with a clean cloth by dabbing the area gently.

Some fabrics are prone to marking, so be mindful not to leave anything heavy resting on your furniture for too long as this can cause marks and dents.