

HOMEBASE

ERIK SLATTED PETITE SIDEBOARD

INSTRUCTION MANUAL



IMPORTANT: Please read these instructions before using the product and retain for future use.

HHGL Limited, MK9 1BA
HHGL (ROI) Limited, D02 X576




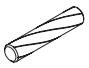
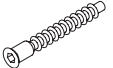
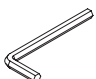

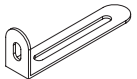


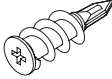
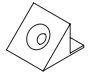


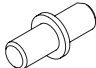

V2_2024

WARNING

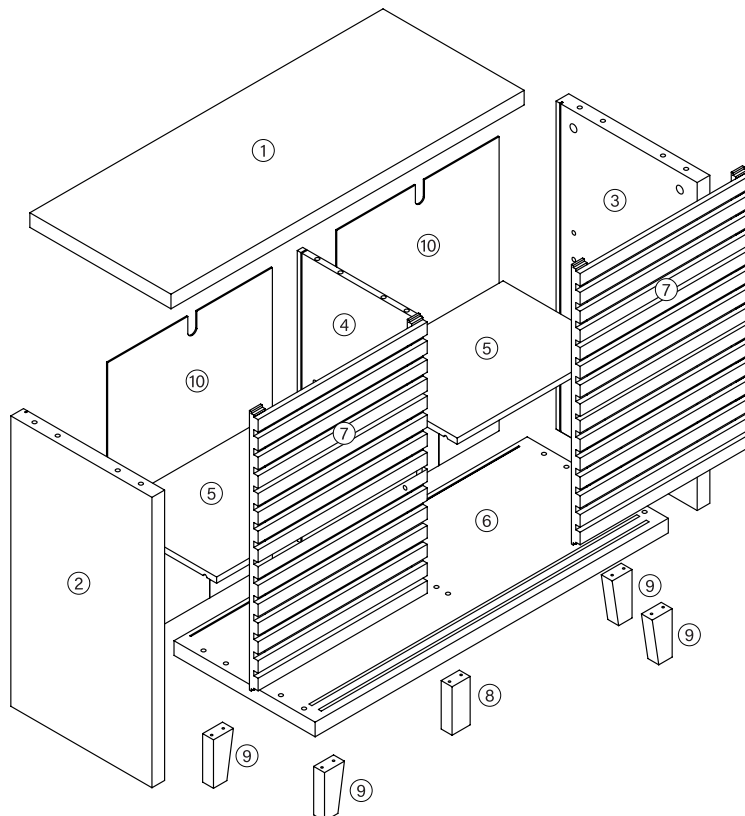
- This product should be permanently anchored to the wall or other suitable surface to avoid serious injury or death.
- To help avoid any serious injury or death, this product includes a bracket to prevent toppling.
- We strongly recommend that this product be permanently fixed to the wall or other suitable surface.
- Fixing hardware is not included since different surface materials require different attachments.
- Please seek professional advice if you are in doubt what fixing hardware to use.
- Regularly check your fixing device.

PARTS LIST

Please check you have all the components and fittings listed. If you find any missing or damaged parts, please contact our customer services team on 0333 003 7084 between 09:00 & 18:00, or use the contact form on our website www.homebase.co.uk

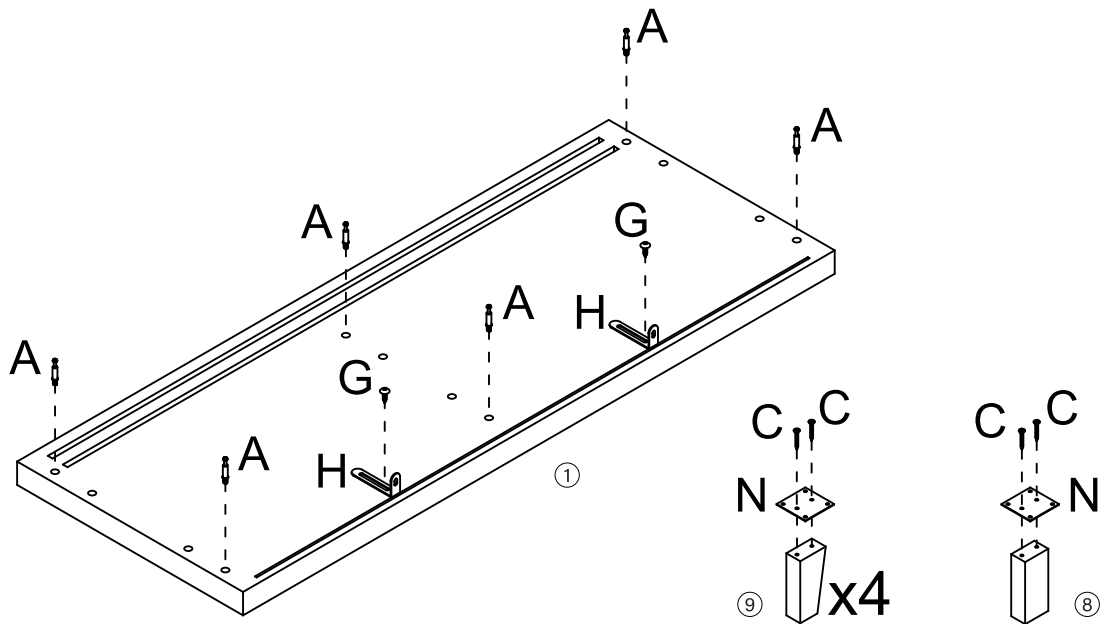
<p>(A)</p>  <p>MALE CAMLOCK X 6</p>	<p>(B)</p>  <p>FEMALE CAMLOCK X 6</p>	<p>(C)</p>  <p>30MM SCREW X 10</p>	<p>(D)</p>  <p>WOODEN DOWEL X 12</p>
<p>(E)</p>  <p>60MM SCREW X 6</p>	<p>(F)</p>  <p>ALLEN KEY X 1</p>	<p>(G)</p>  <p>14MM SCREW X 22</p>	<p>(H)</p>  <p>METAL BRACKET X 2</p>
<p>(I)</p>  <p>35MM SCREW X 2</p>	<p>(J)</p>  <p>WALL PLUG X 2</p>	<p>(K)</p>  <p>WALL PLUG X 2</p>	<p>(L)</p>  <p>CORNER INSERT X 16</p>
<p>(M)</p>  <p>14MM SCREW X 16</p>	<p>(N)</p>  <p>METAL PLATE X 5</p>	<p>(O)</p>  <p>CONNECTOR PLUG X 8</p>	<p>(P)</p>  <p>COVER STICKERS X 6</p>

PANELS:



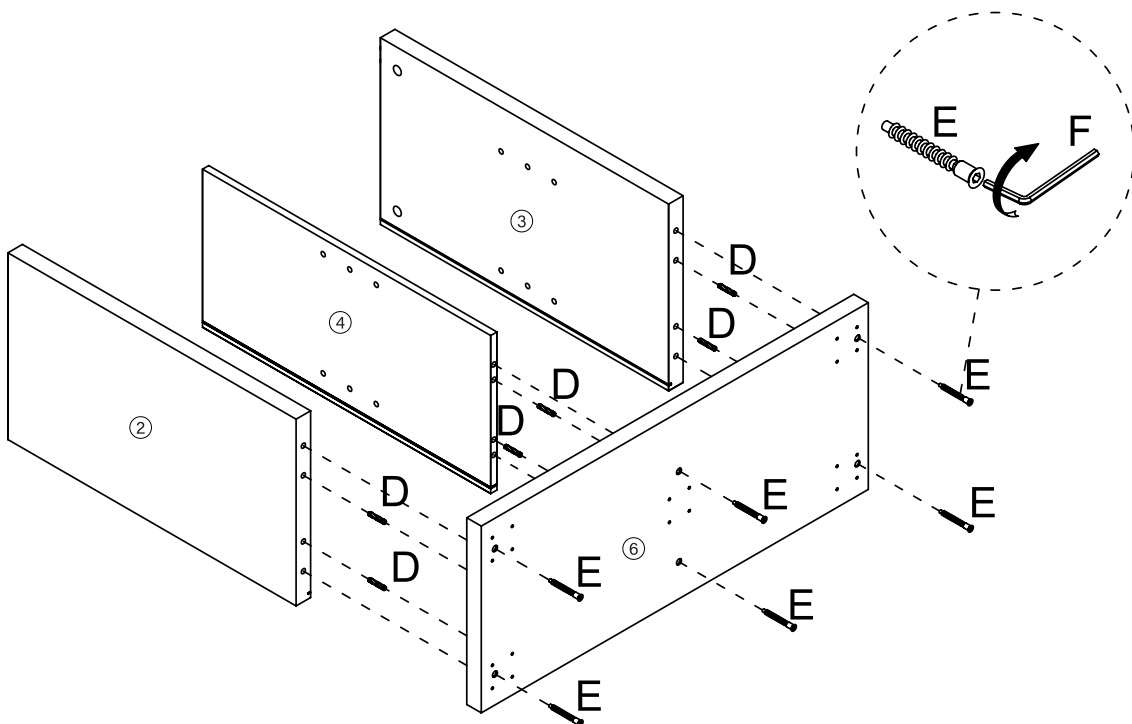
STEP 1

1. Insert 6 x male camlocks (A) into the top panel (1).
2. Attach the 2 x metal brackets (H) using 2 x 14mm screws (G) to the top panel.
3. Secure the 5 x metal plates (N) to the legs (8 & 9) using 2 x 30mm screws (C) for each plate.



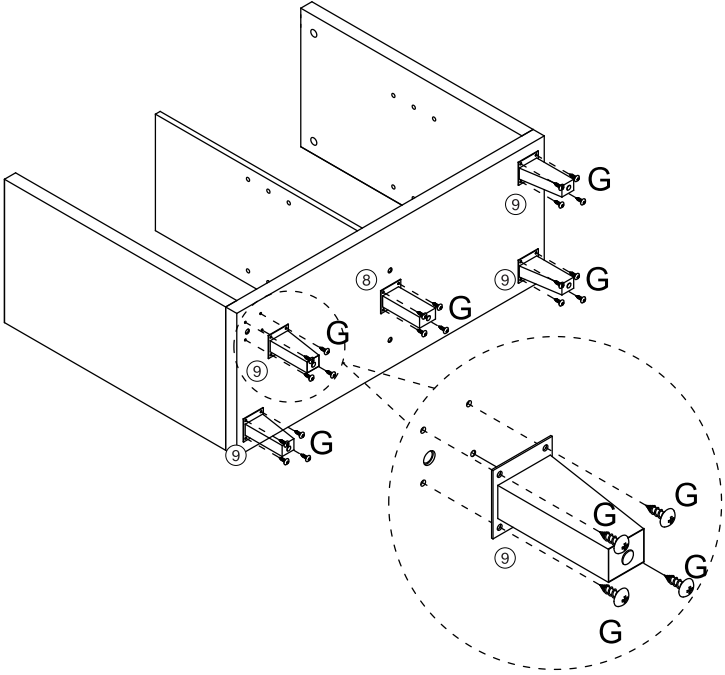
STEP 2

1. Insert 2 x wooden dowels (D) into the middle two holes at the end of panels 2, 3 & 4.
2. Connect the side and middle panels (2, 3 & 4) to the base panel (6) using the wooden dowels (D) and secure with 6 x 60mm screws (E). Ensure the slots on the side panels align with the single slot on the base panel.



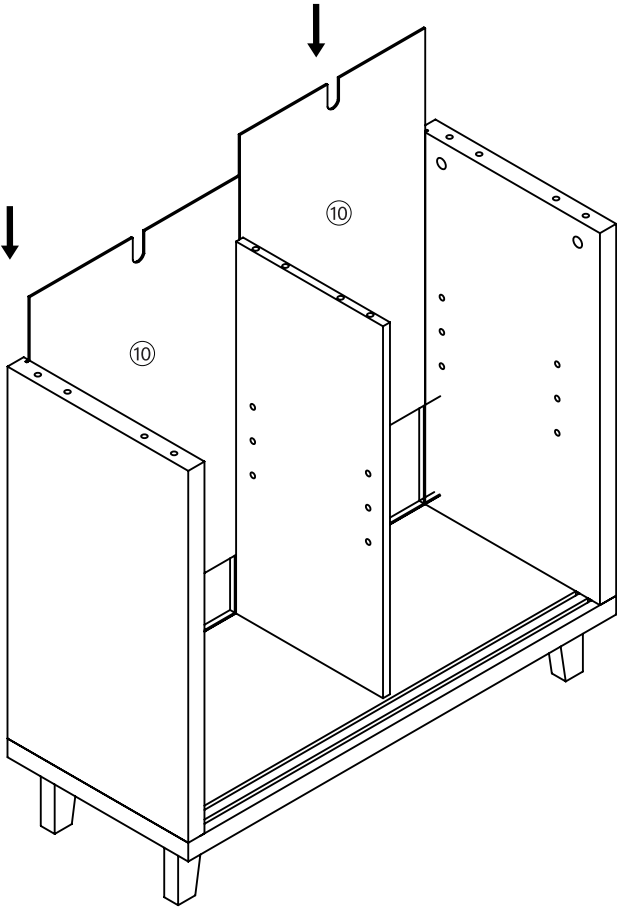
STEP 3

Attach legs (8 & 9) to the base panel (6) using 4 x 14mm screws (G) in each metal plate (N).



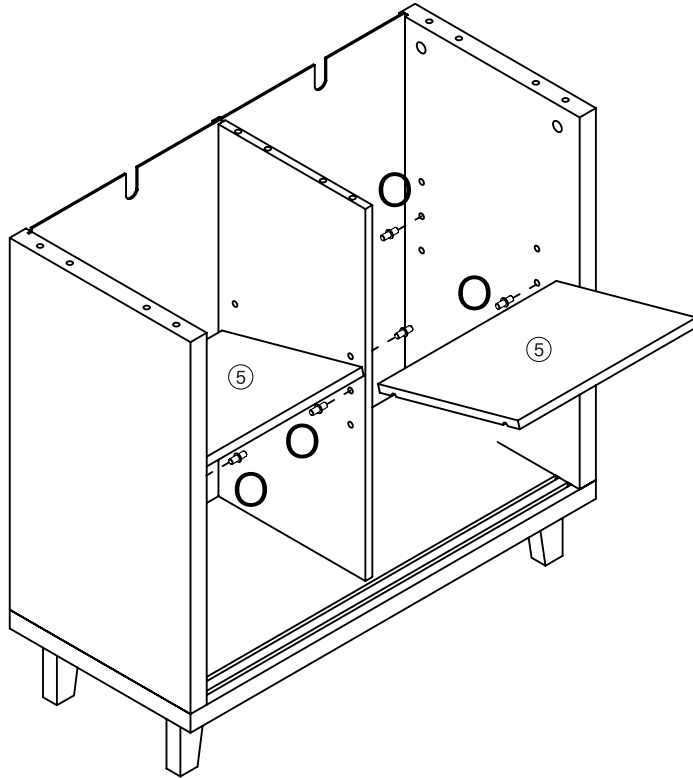
STEP 4

Insert the back panels (10) into the single slots on the side and base panels.



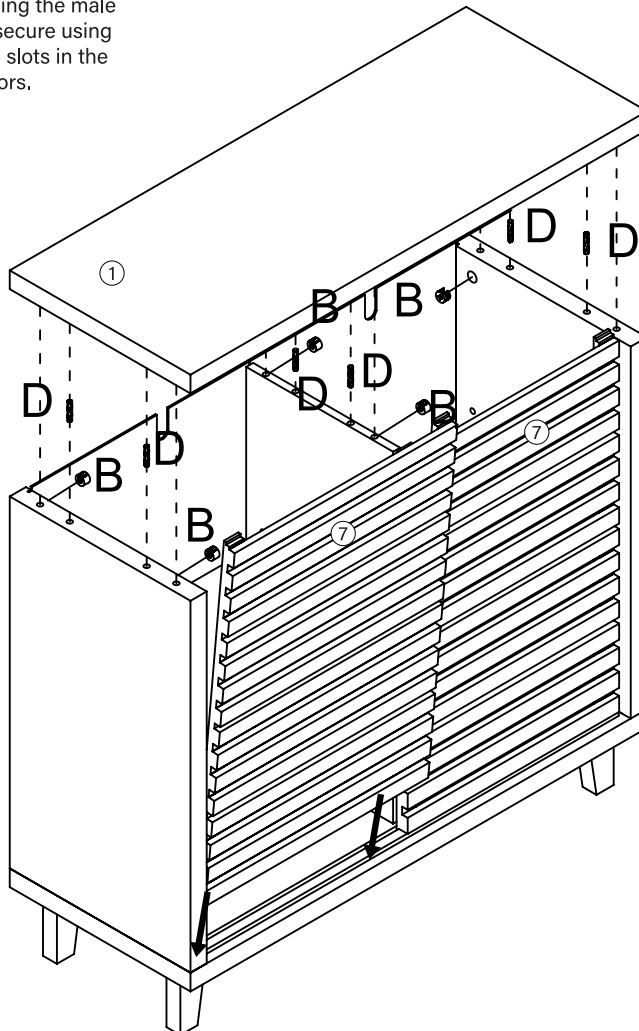
STEP 5

1. Insert 8 x connector plugs (O) into the side and middle panels on the inside of the unit at your desired height.
2. Place shelves (5) on top of connector plugs (O).



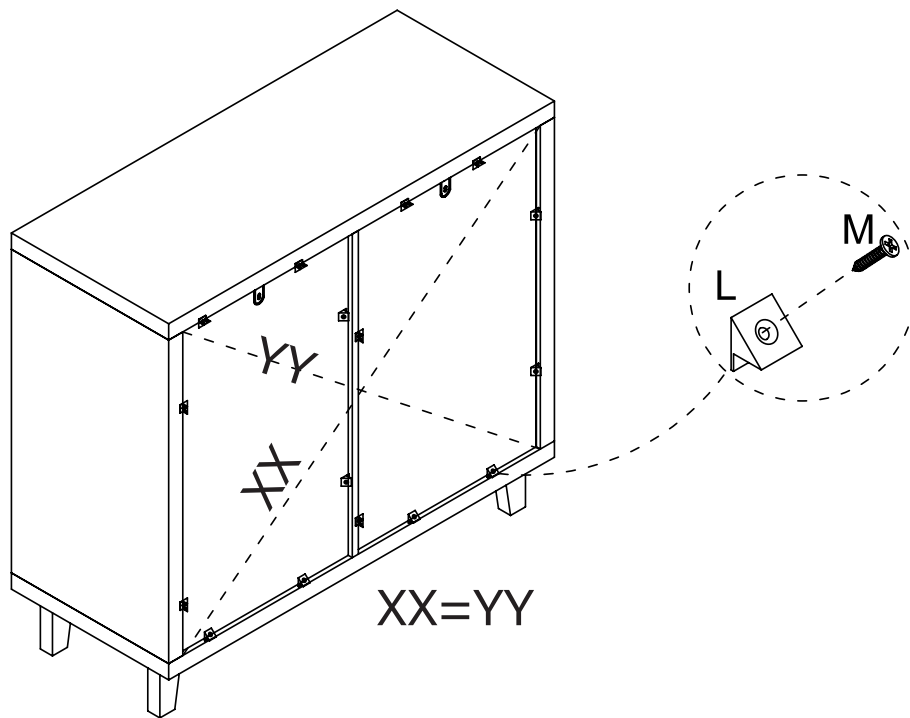
STEP 6

1. Insert one front sliding door (7) into each of the two slots at the front of the unit.
2. Attach the top panel (1) to the side panels using the male camlocks and 4 x wooden dowels (D), then secure using 4 x female camlocks (B). Ensure that the two slots in the top panel align with the top of the sliding doors.



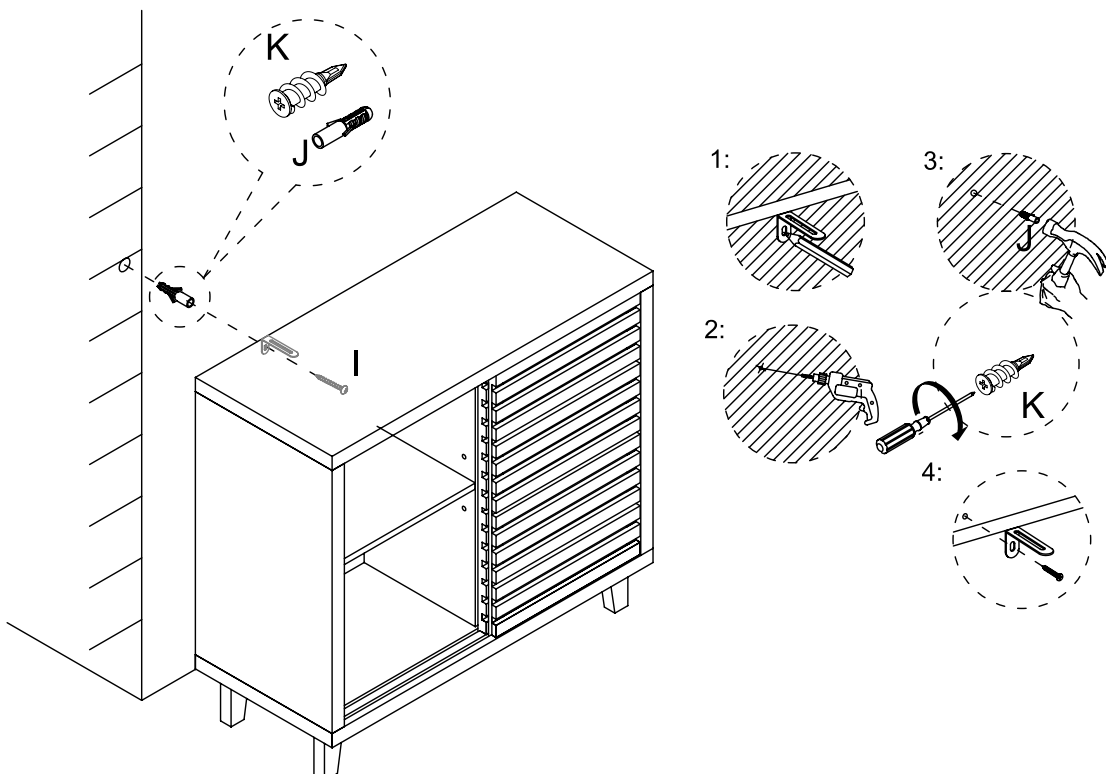
STEP 7

Secure the back panel to the bottom, top and side panels by placing 16 x corner inserts (L) evenly along the corners and securing with 14mm screws (M).



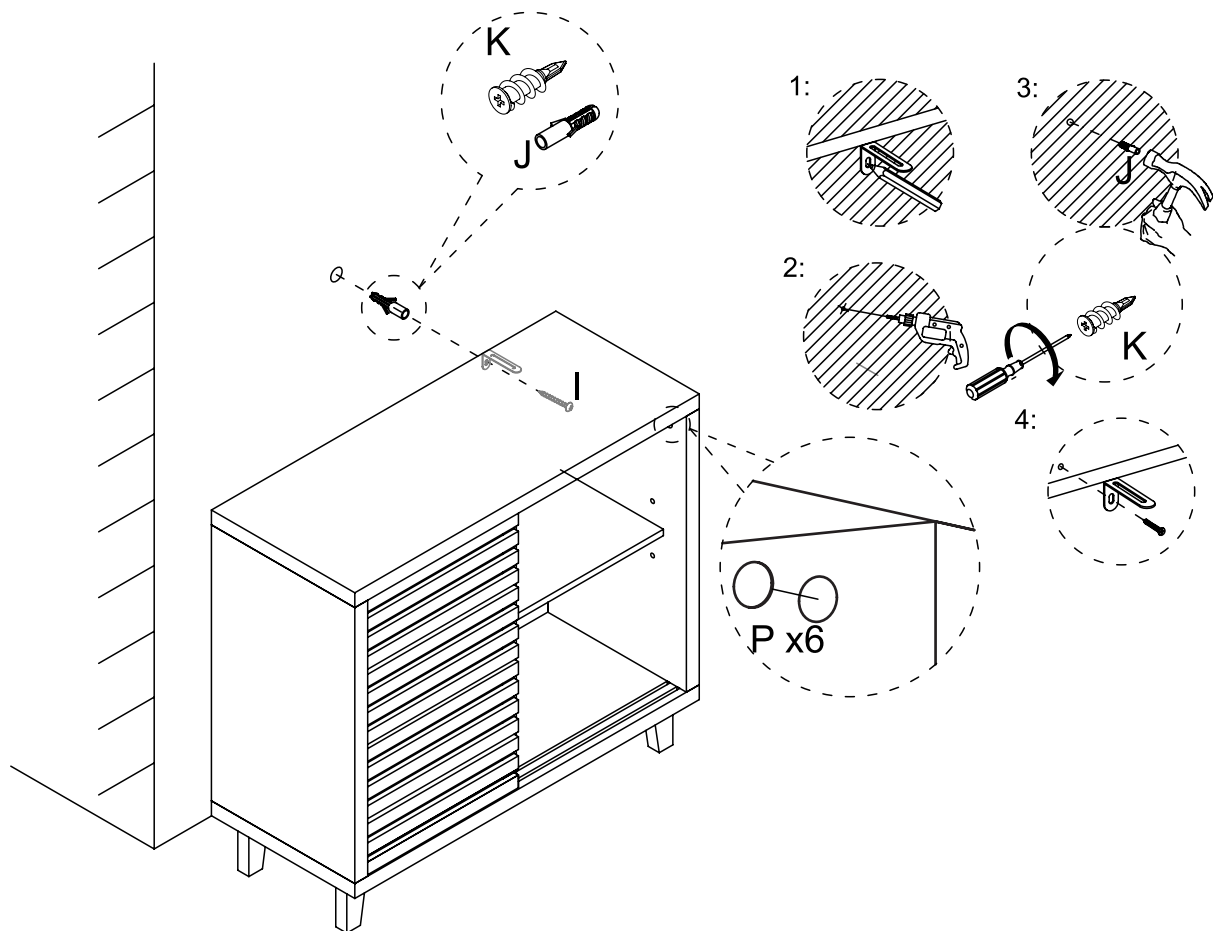
STEP 8

1. Mark the bracket hole on the wall using a pencil
2. Using a 5mm drill bit, drill a hole in the wall using your marking in step 8.1.
3. Insert relevant wall plug (J or K) depending on surface.
4. Secure your unit to the wall using a 35mm screw (I).



STEP 9

1. Repeat step 8 for the other bracket.
2. Cover internal screw holes using 6 x cover stickers (P).



ASSEMBLY COMPLETE