

HOMEBASE

ERIK SLATTED WIDE TV UNIT

INSTRUCTION MANUAL





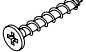

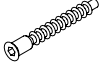
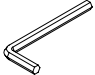

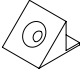



IMPORTANT: Please read these instructions before using the product and retain for future use.

HHGL Limited, MK9 1BA
HHGL (ROI) Limited, D02 X576

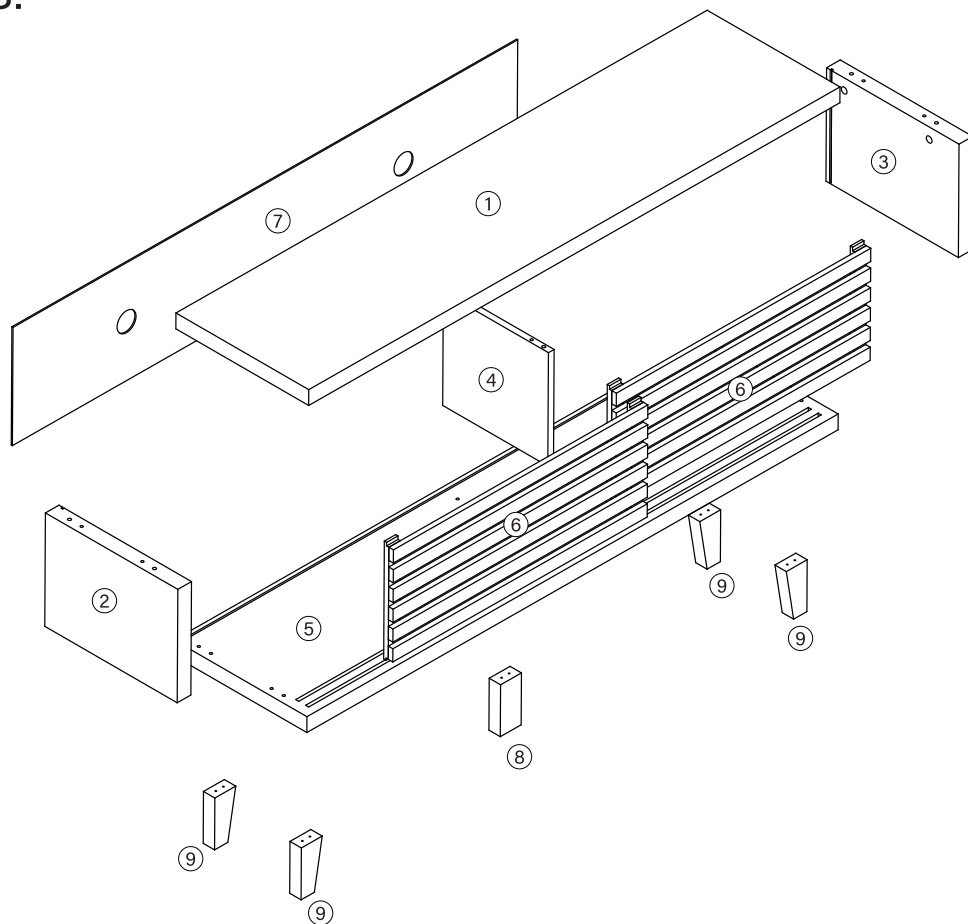
V2_2024

PARTS LIST

Please check you have all the components and fittings listed. If you find any missing or damaged parts, please contact our customer services team on 0333 003 7084 between 09:00 & 18:00, or use the contact form on our website www.homebase.co.uk

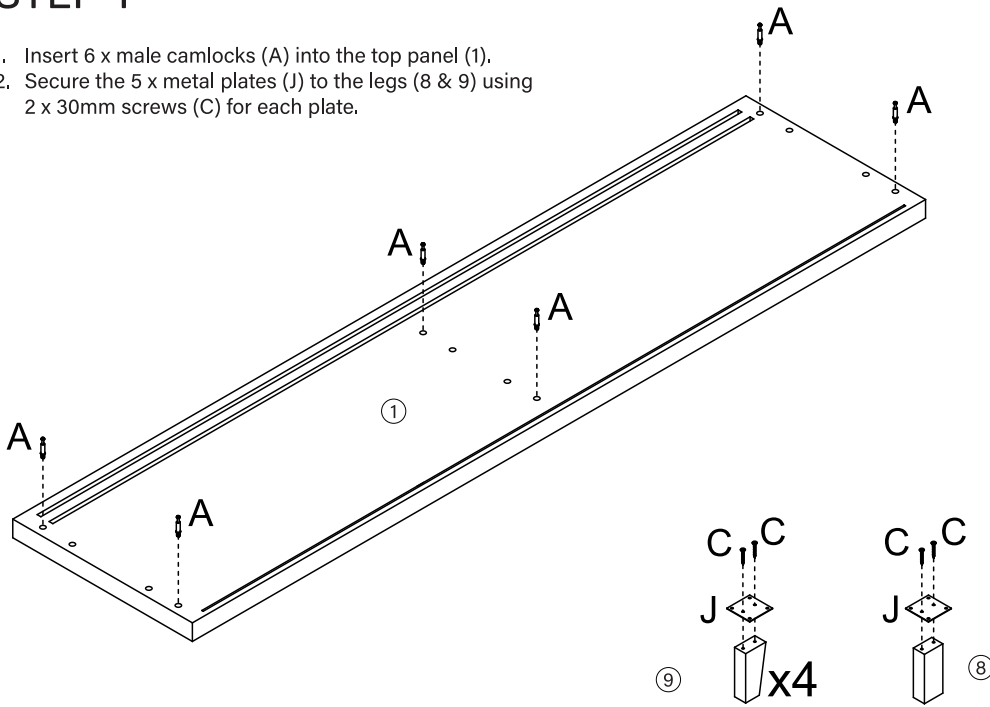
<p>(A)</p>  <p>MALE CAMLOCK X 6</p>	<p>(B)</p>  <p>FEMALE CAMLOCK X 6</p>	<p>(C)</p>  <p>30MM SCREW X 10</p>	<p>(D)</p>  <p>WOODEN DOWEL X 12</p>
<p>(E)</p>  <p>60MM SCREW X 6</p>	<p>(F)</p>  <p>ALLEN KEY X 1</p>	<p>(G)</p>  <p>14MM SCREW X 20</p>	<p>(H)</p>  <p>CORNER INSERT X 10</p>
<p>(I)</p>  <p>14MM SCREW X 10</p>	<p>(J)</p>  <p>METAL PLATE X 5</p>	<p>(K)</p>  <p>COVER STICKER X 6</p>	

PANELS:



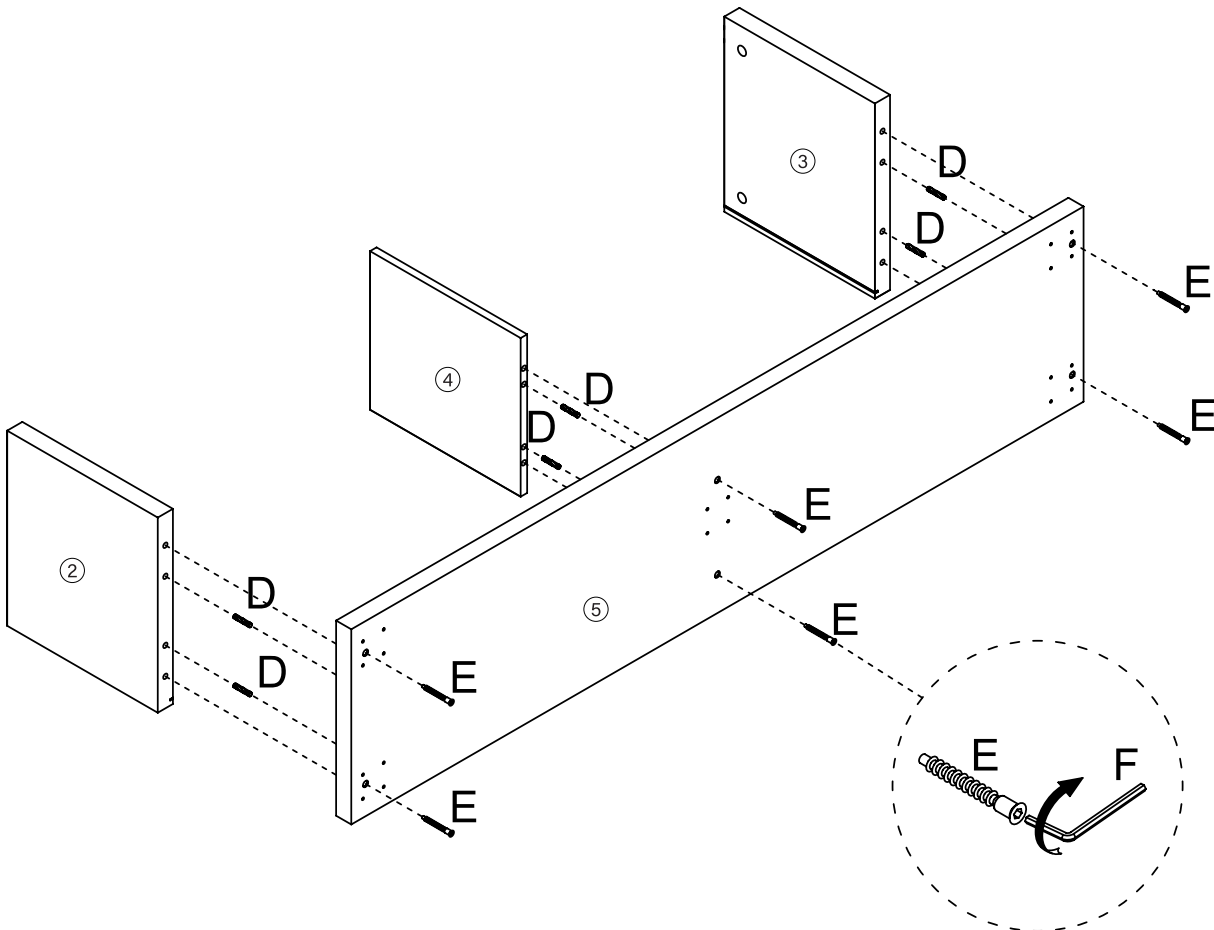
STEP 1

1. Insert 6 x male camlocks (A) into the top panel (1).
2. Secure the 5 x metal plates (J) to the legs (8 & 9) using 2 x 30mm screws (C) for each plate.



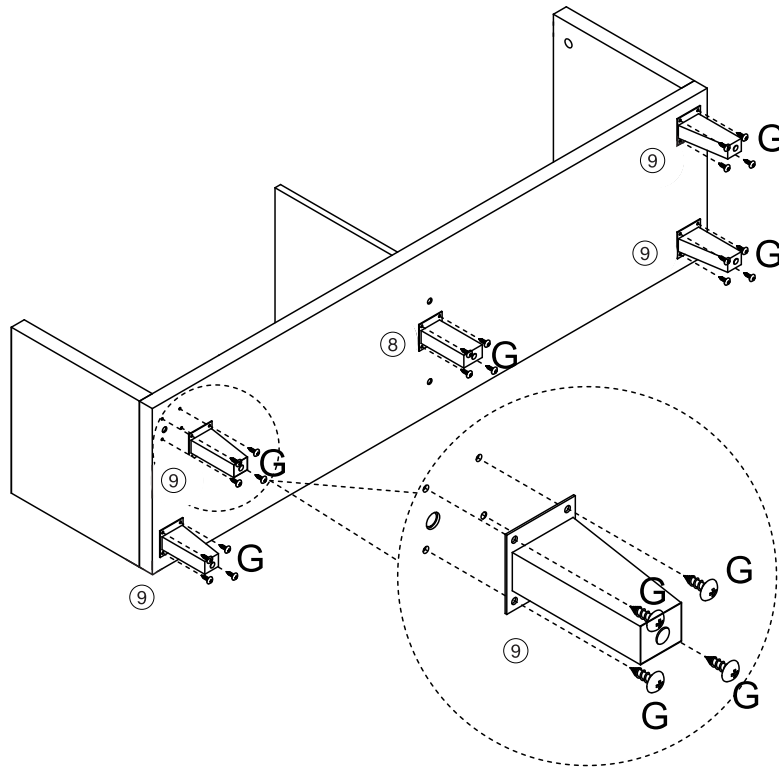
STEP 2

1. Insert 2 x wooden dowels (D) into the middle two holes on panels 2, 3 & 4.
2. Connect the side and middle panels (2, 3 & 4) to the base panel (5) using the wooden dowels (D) and secure with 6 x 60mm screws (E). Ensure the slots on the side panels align with the single slot on the base panel.



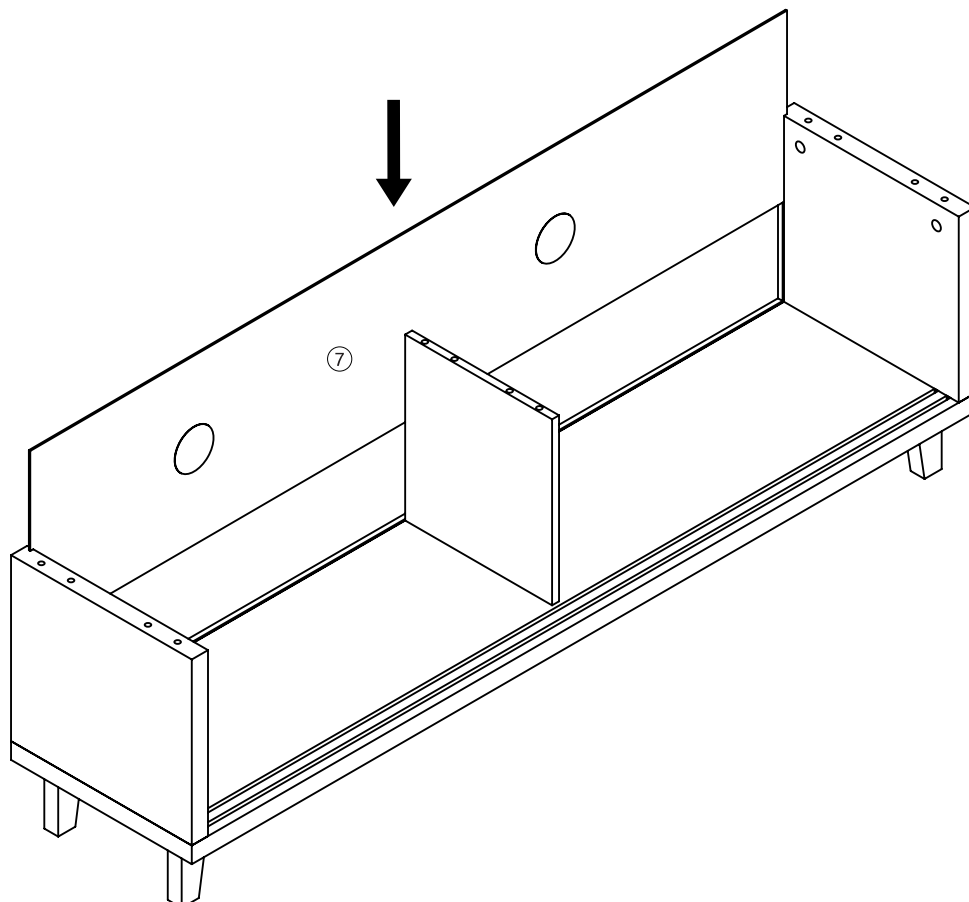
STEP 3

Attach legs (8 & 9) to the base panel (5) using 4 x 14mm screws (G) in each metal plate (J).



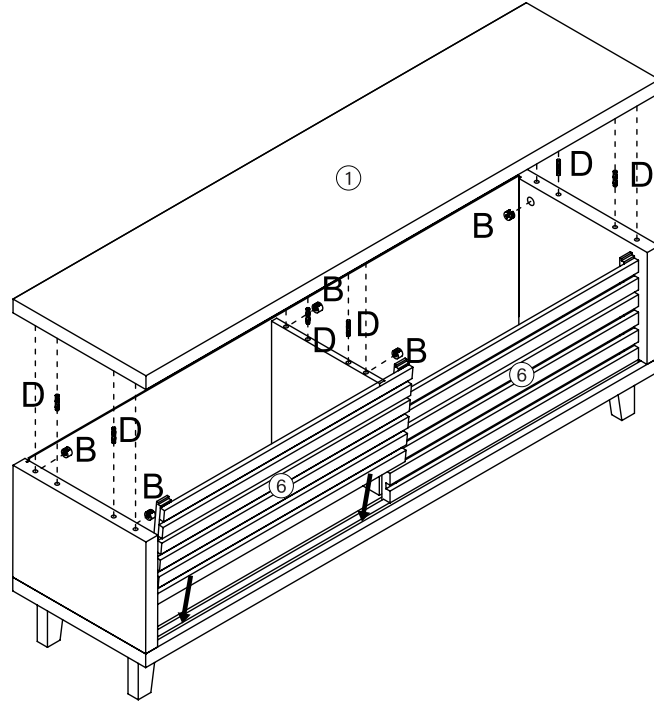
STEP 4

Insert the back panel (7) into the slots on the side and base panels.



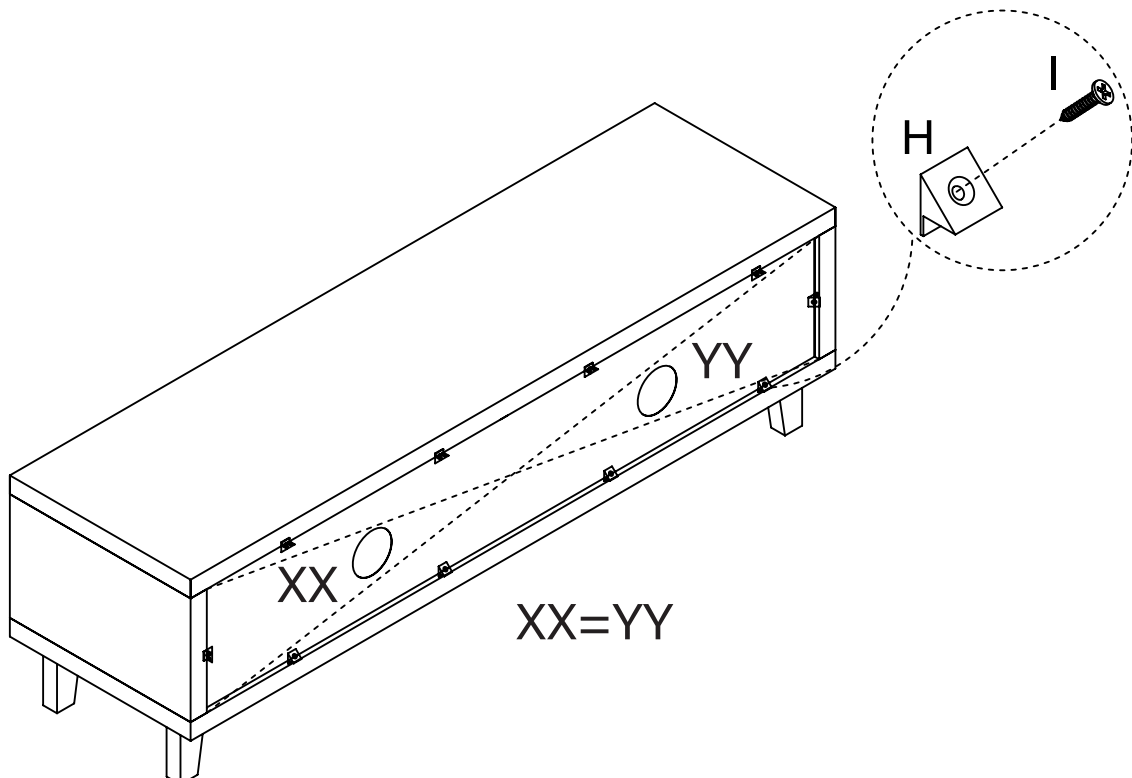
STEP 5

1. Insert one front sliding door (6) into each of the two slots at the front of the unit.
2. Attach the top panel (1) to the side panels using the male camlocks and 4 x wooden dowels (D), then secure using 4 x female camlocks (B). Ensure that the two slots in the top panel align with the top of the sliding doors.



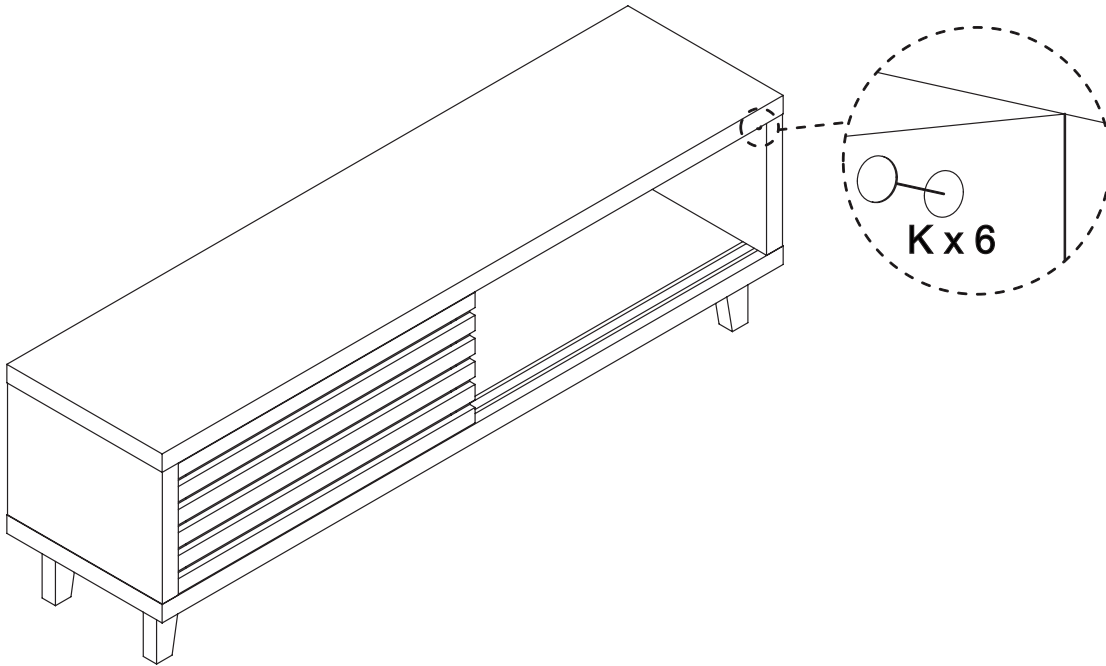
STEP 6

Secure the back panel to the bottom, top and side panels by placing 10 x corner inserts (H) evenly along the corners and securing with 14mm screws (I).



STEP 7

Cover internal screw holes using 6 x cover stickers (K).



ASSEMBLY COMPLETE