

HOMEBASE

DIDSBURY PEWTER TABLE LAMP

Requires 1 x 10W max. LED E27 GLS bulb
(bulb not included)



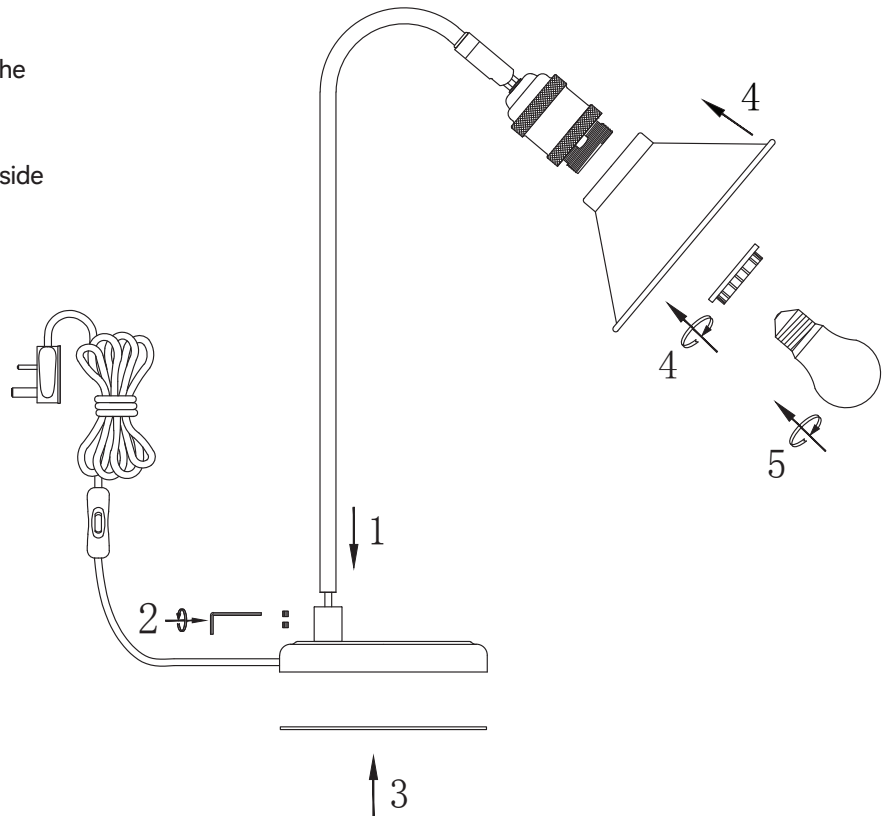
INSTRUCTION MANUAL

IMPORTANT: Please read these instructions before using the product. Retain instructions for future use.
HHGL Limited, MK9 1BA; HHGL (ROI) Limited, D02 X576

ASSEMBLY

Take care not to trap any wiring when screwing sections together.

- Step 1** Insert stem into the base.
- Step 2** Secure the stem by tightening the 2 grub screws.
- Step 3** Place the base felt on the underside of the lamp base.
- Step 4** Carefully attach the shade and secure in place using the shade ring onto each lamp holder.
- Step 5** Insert a light bulb into the lamp holder.
Requires 1 x 10W max. LED E27 GLS bulb. (not included)



Selecting the correct bulb:

Maximum wattage – 10 Watt LED.

Bulb shape – GLS.

Bulb cap shape – E27.

Do not exceed the maximum wattage or use a different shape of bulb. This may cause your light fitting to overheat.

GENERAL INFORMATION

Clean only with a soft, dry cloth.

Do not use polishes or abrasive cloths.

Not suitable for use in bathrooms.

Diagram shown for illustration purposes only - product may differ slightly from the one shown above

