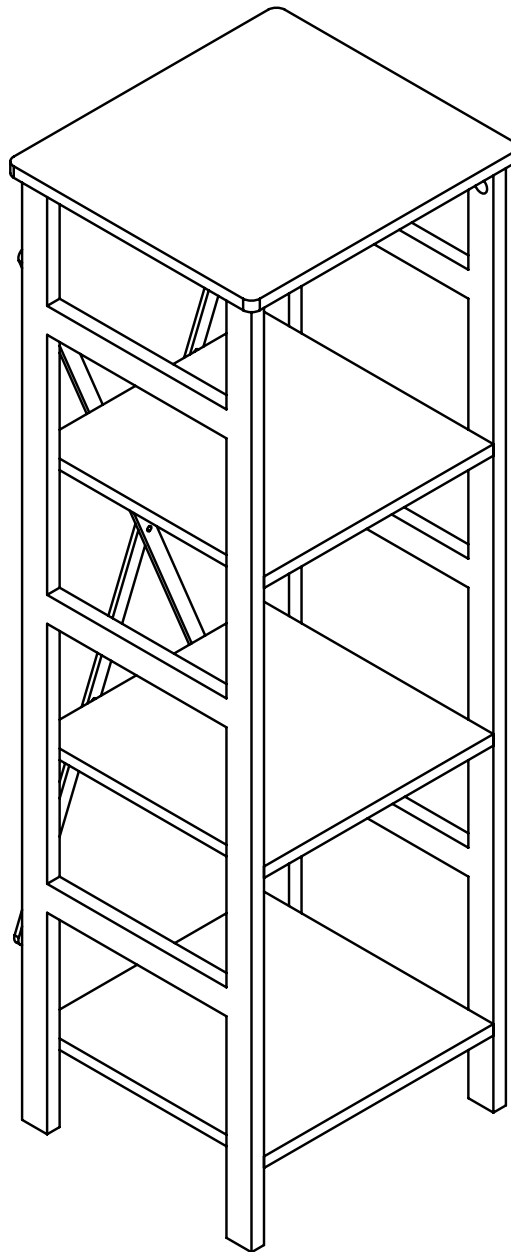


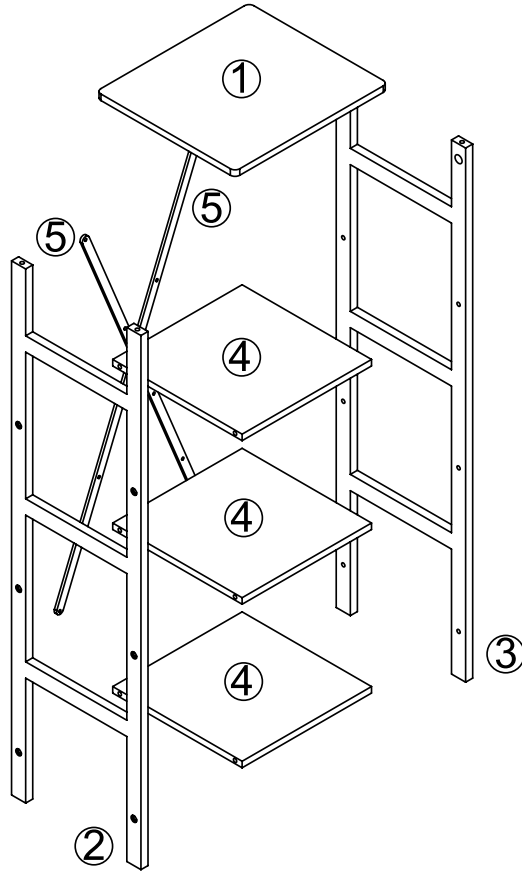


**THIS PRODUCT SHOULD BE PERMANENTLY ANCHORED TO THE WALL OR
OTHER SUITABLE SURFACE TO AVOID SERIOUS INJURY OR DEATH.**



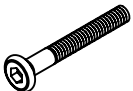

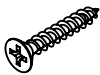
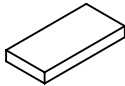
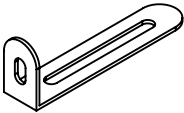



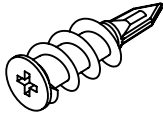
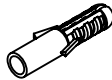
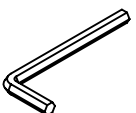


To help avoid any serious injury or death, this product includes a bracket to prevent toppling. We strongly recommend that this product be permanently fixed to the wall or other suitable surface. Fixing hardware is not included since different surface materials require different attachments. Please seek professional advice if you are in doubt what fixing hardware to use. Regularly check your fixing device.



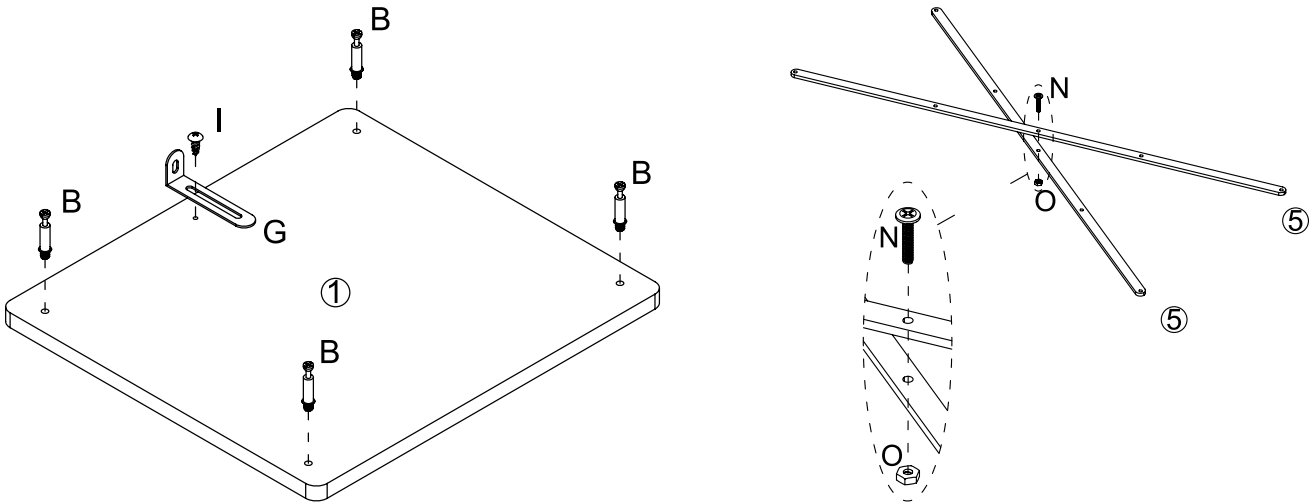
ELEMENT



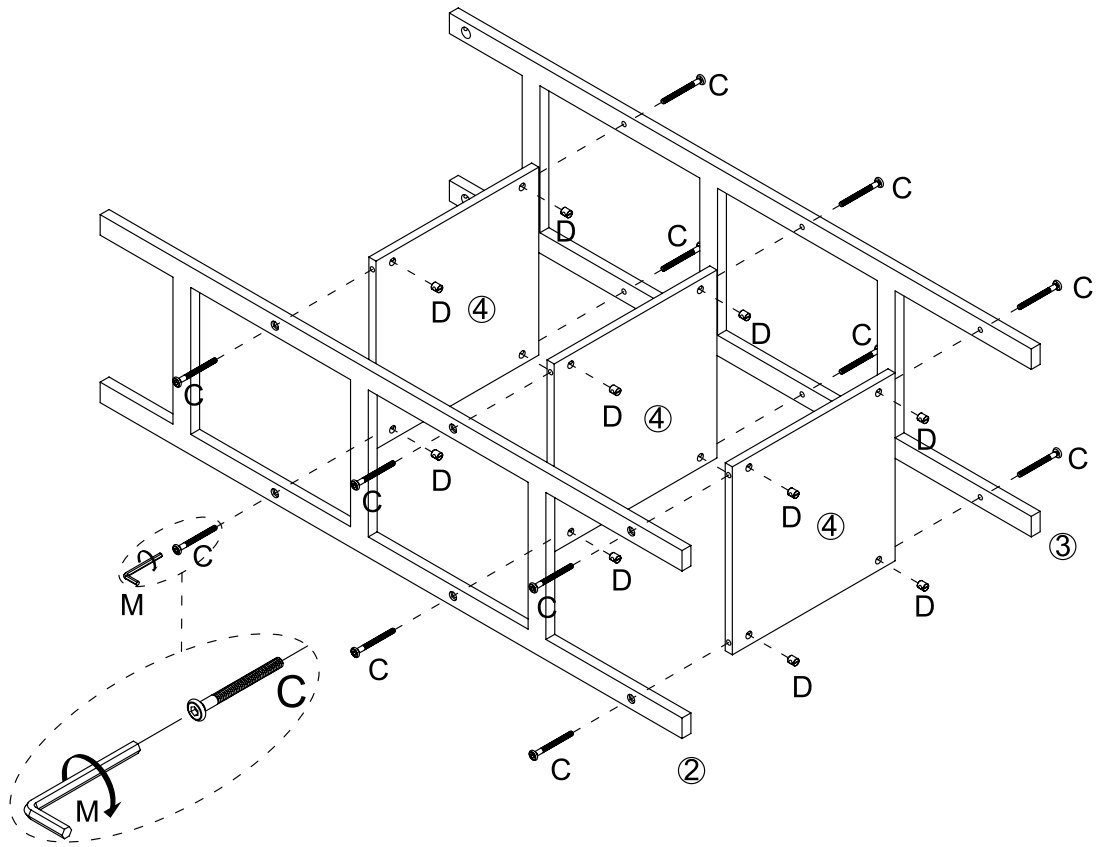
HARDWARE

<p>A</p>  <p>x4</p>	<p>B</p>  <p>x4</p>	<p>C</p>  <p>x12</p>	<p>D</p>  <p>x12</p>	<p>E</p>  <p>x8</p>	<p>F</p>  <p>x4</p>
<p>G</p>  <p>x1</p>	<p>H</p>  <p>x12</p>	<p>I</p>  <p>x1</p>	<p>J</p>  <p>x1</p>	<p>K</p>  <p>x1</p>	<p>L</p>  <p>x1</p>
<p>M</p>  <p>x1</p>	<p>N</p>  <p>x1</p>	<p>O</p>  <p>x1</p>			

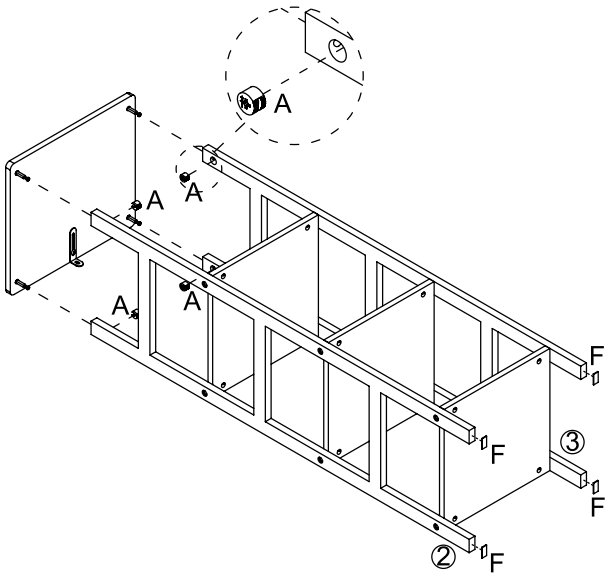
STEP 1



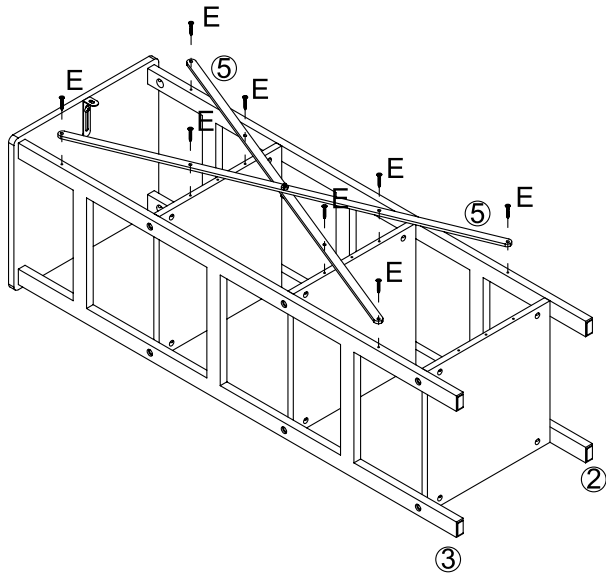
STEP 2



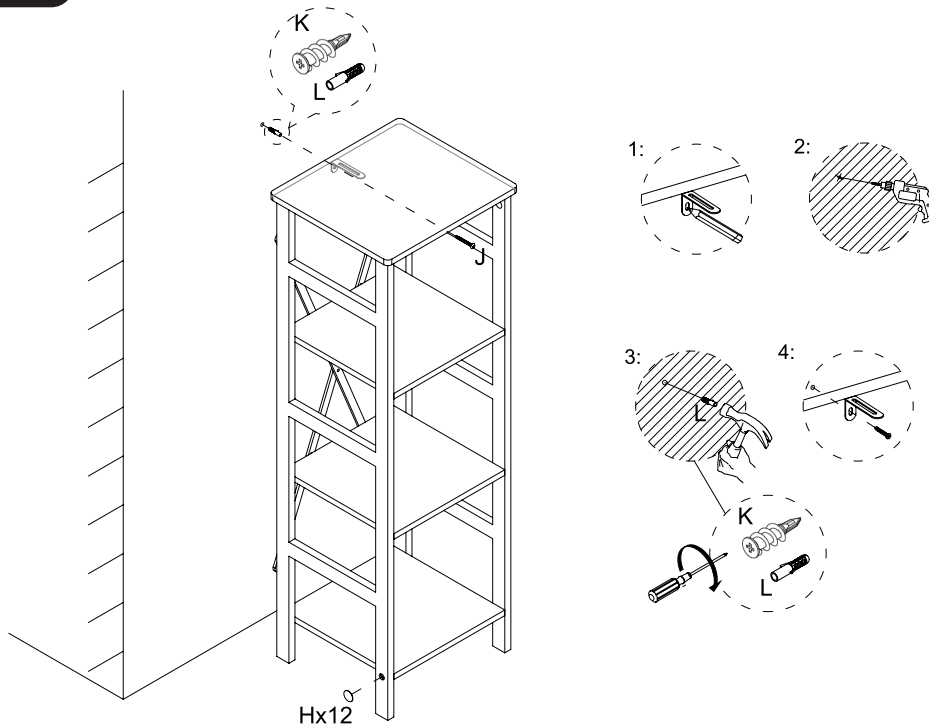
STEP 3



STEP 4



STEP 5



MANUFACTURED BY: SFN LIMITED
Arcadia House, Maritime Walk,
Southampton S014 3TL, United Kingdom