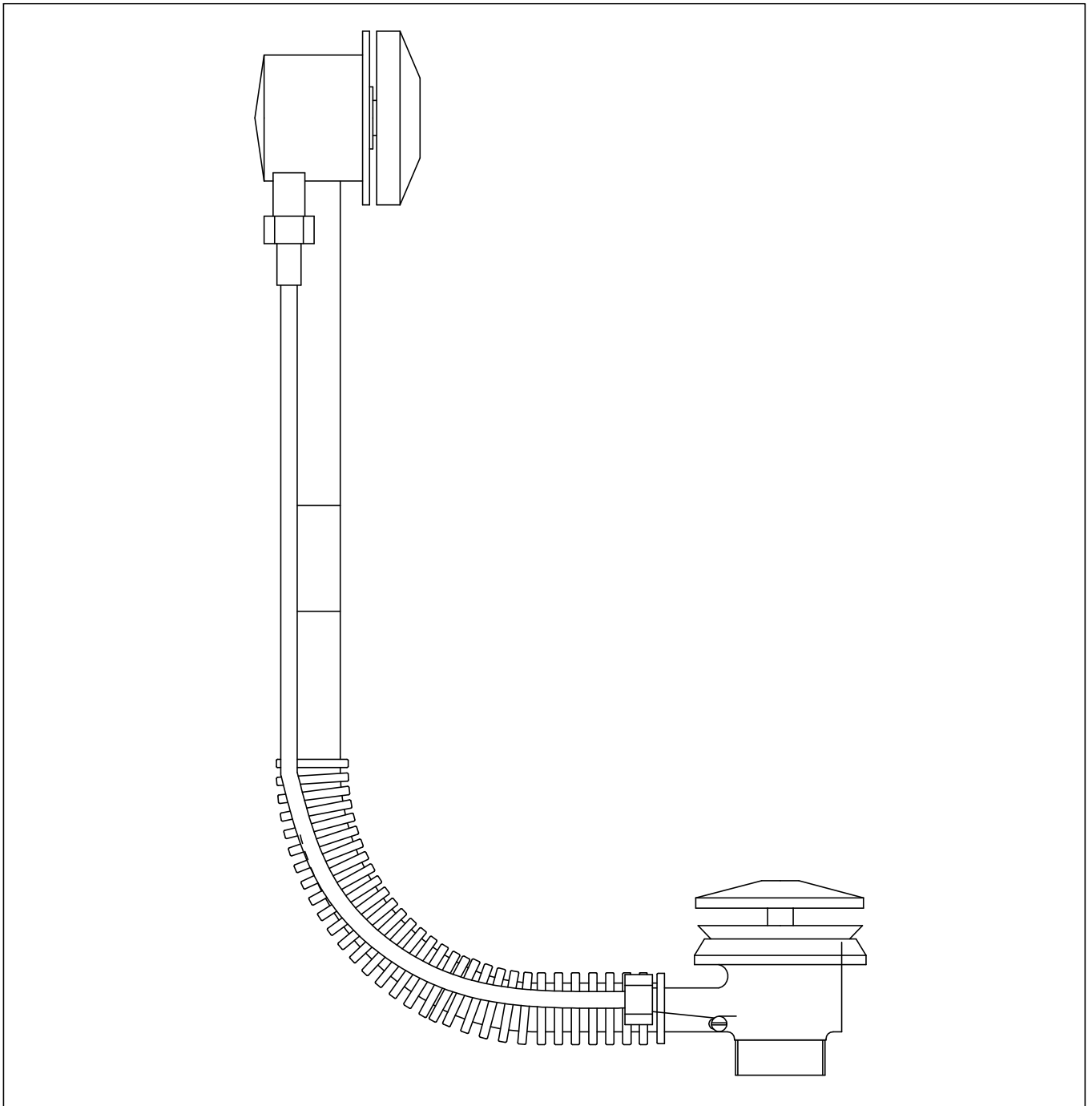




INSTALLATION MANUAL

Bath Waste



VURTU is registered trade mark of Kinen UK Limited.
the company reserves the right to alter product
specifications without notice

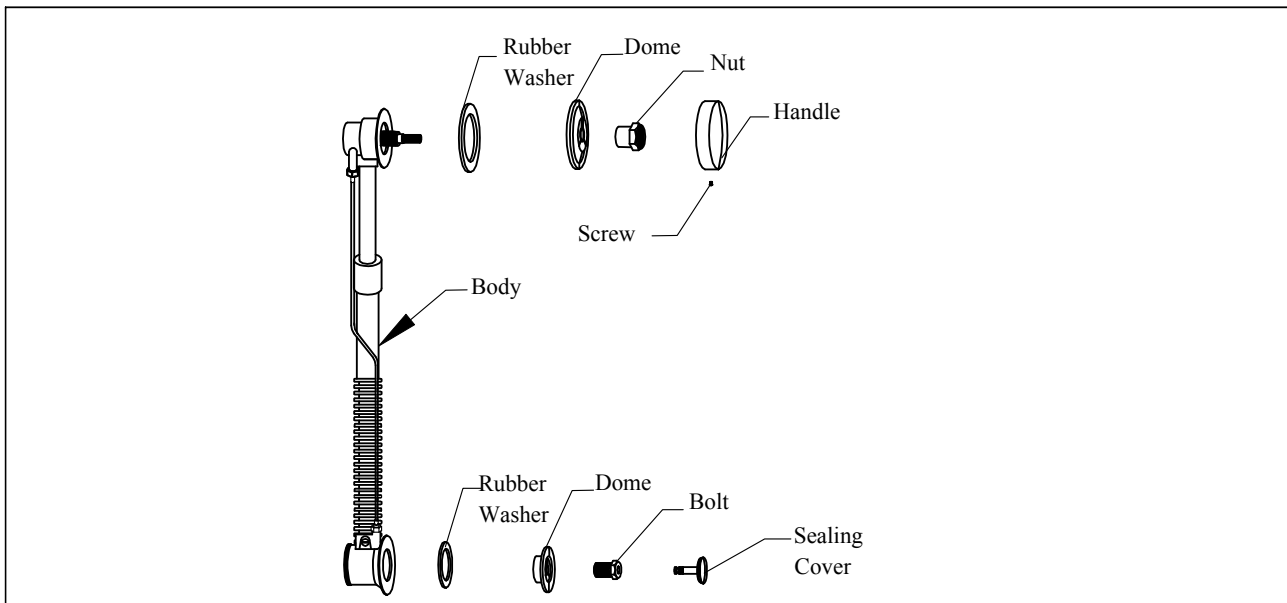
1. NOTES FOR INSTALLATION

Warning: Please read all the instructions completely before proceeding.

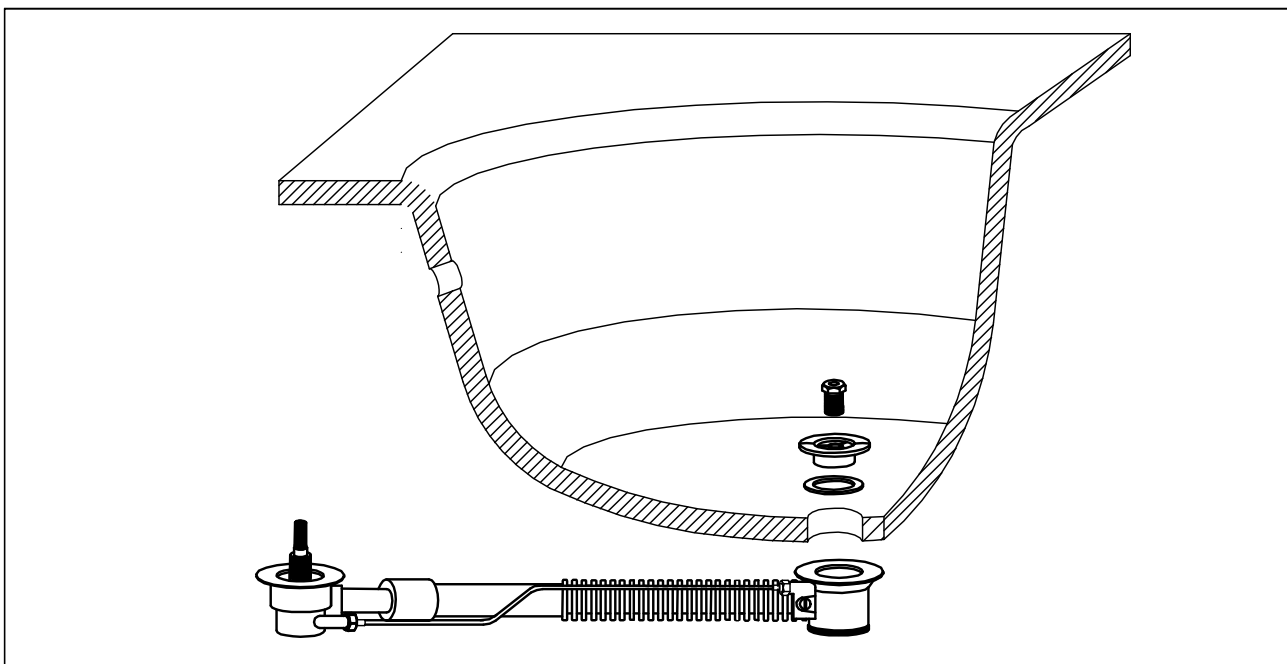
2. SHUT OFF WATER SUPPLY

Locate water supply inlets and shut off the water supply valves. These are usually found under the sink or near the water meter.

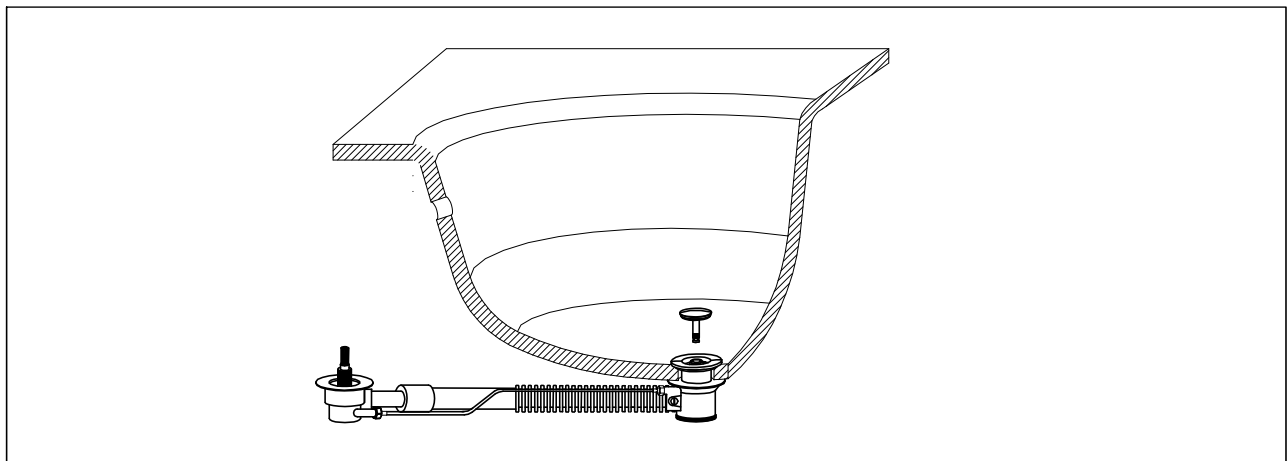
3. INSTALLATION



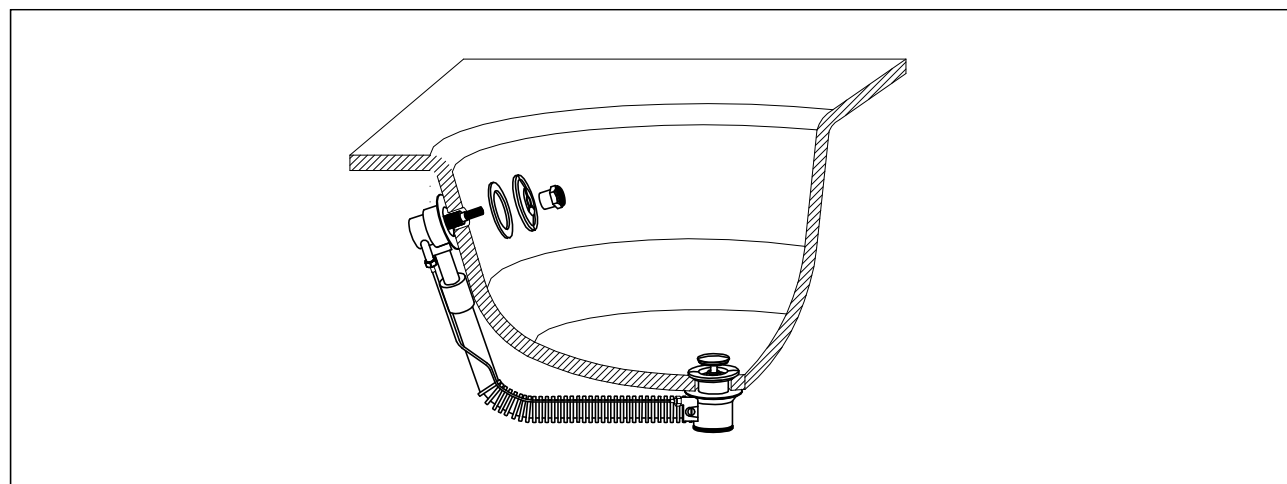
Put the body on the bottom of the bathtub. Insert the bolt from the rubber washer of the dome to the bathtub surface. Fasten the bolt manually to fix the body. Tighten the bolt with a wrench (DO NOT APPLY EXCESSIVE FORCE).



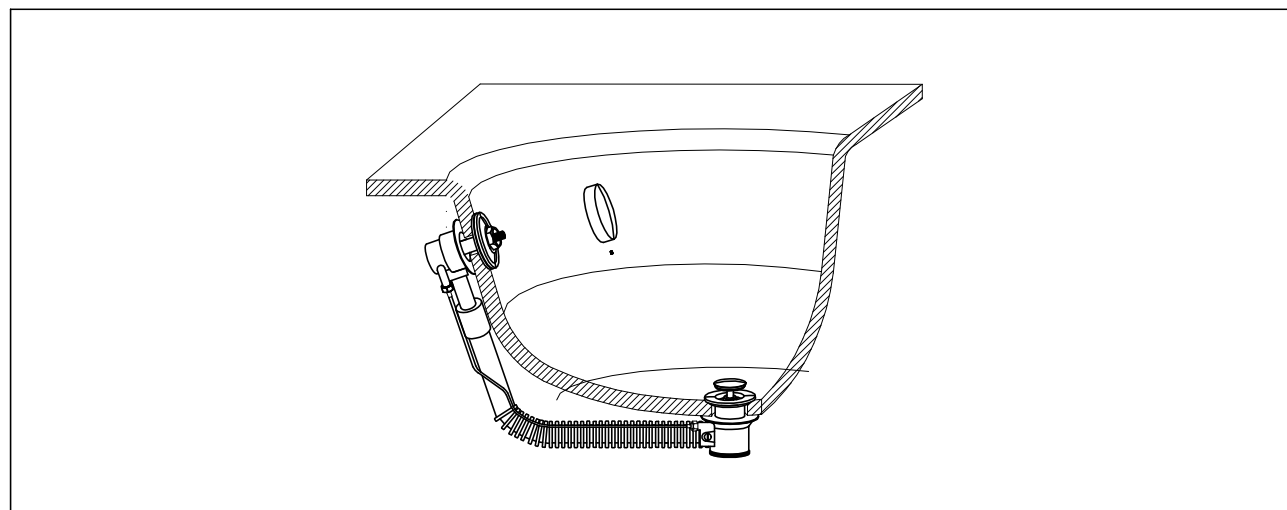
Insert the seal over the hole of the bolt.



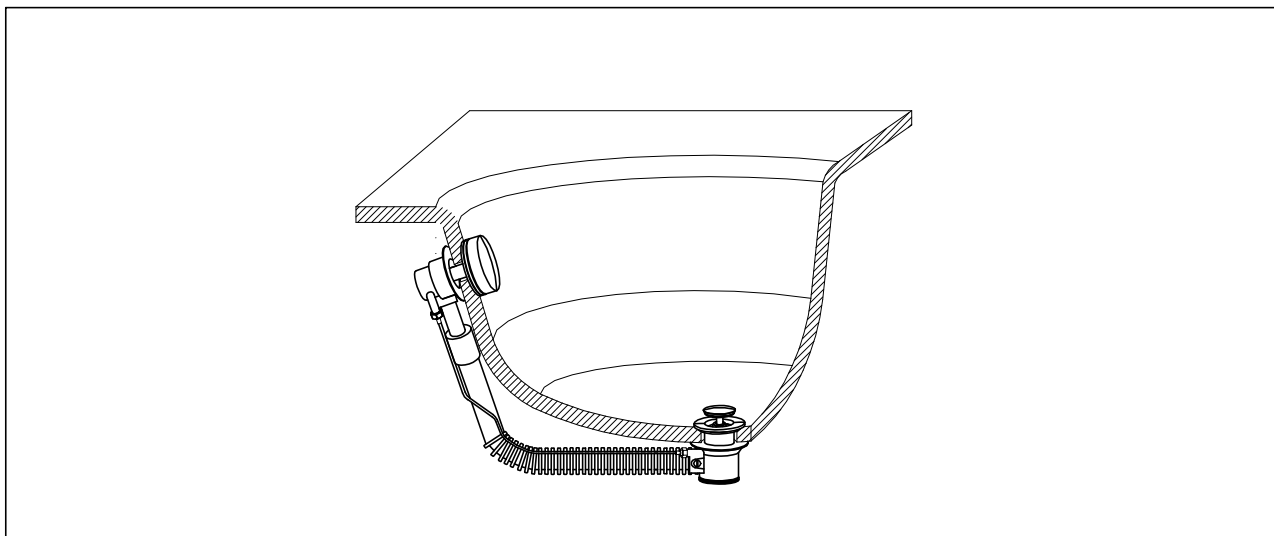
Adjust length of flexi pipe to suit installation. Insert the control valve from the underneath of the bathtub. Insert the nut from the dome and rubber washer to the surface of bathtub and eventually over the valve lever; Fasten the bolt to fix to the body. Tighten the bolt with a wrench if required. (DO NOT APPLY EXCESSIVE FORCE)..



Cover the handle onto the valve lever. Fasten the screw.

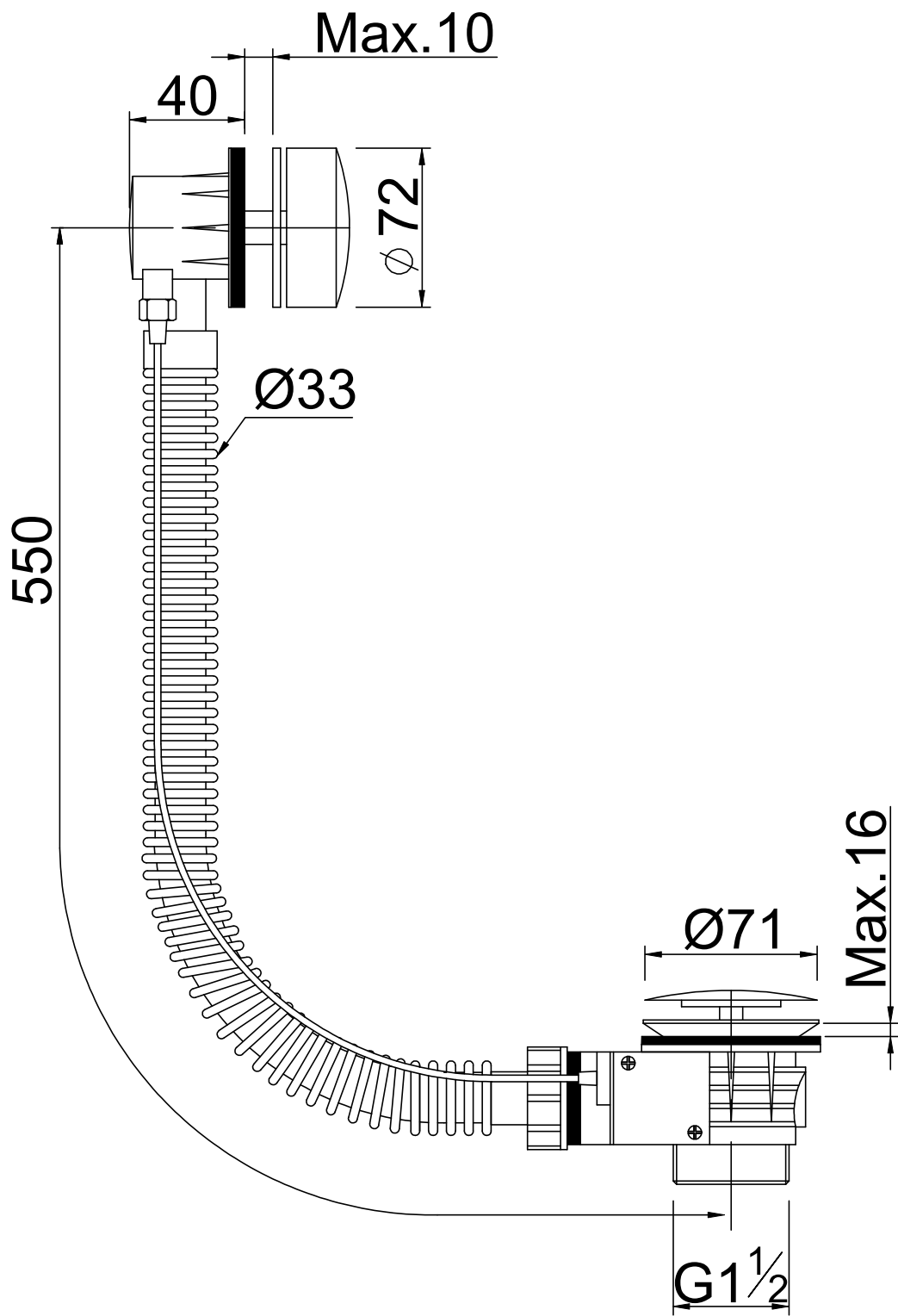


By rotating the handle clockwise, the bottom waste will be lifted up for drainage. By rotating the handle anti-clockwise, the bottom waste will close to retain water for bathing.



Cleaning Instructions

For all decorative finishes, use only a soft damp cloth to clean and shine. Use of polish, detergents, abrasive cleaners, organic solvents or acid may cause damage. Use of other than a soft damp cloth will nullify our warranty.



C006