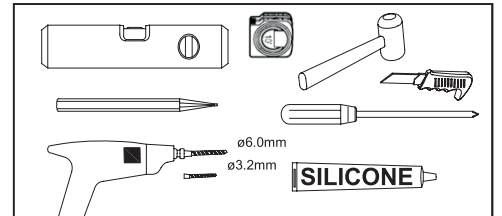
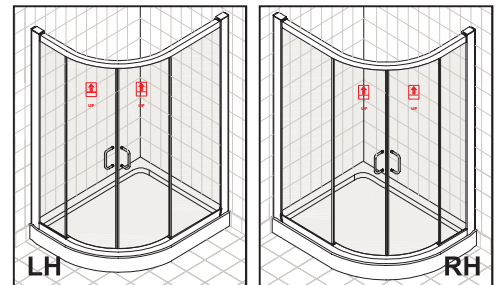
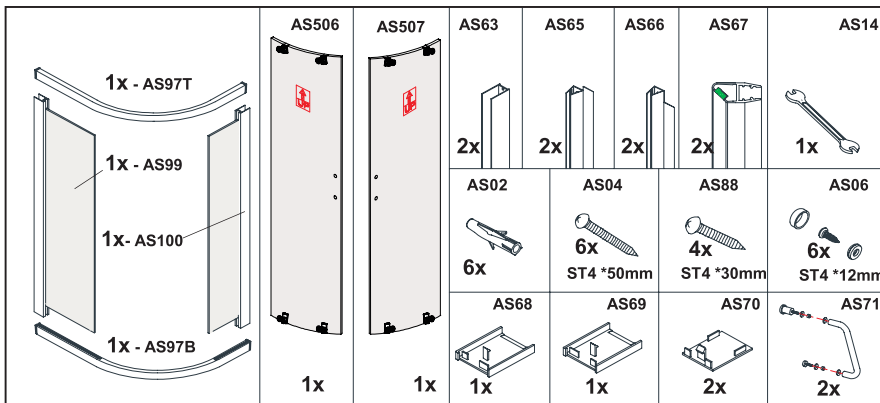
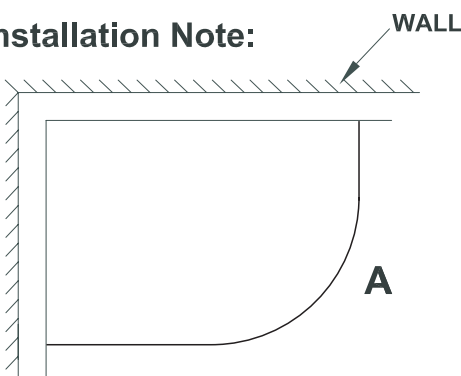


## ATLAS 1200 OFFSET QUADRANT CLEAN PLUS



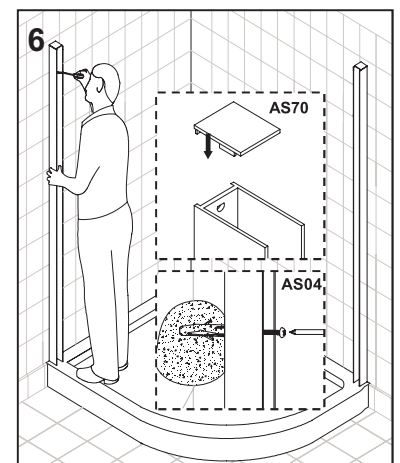
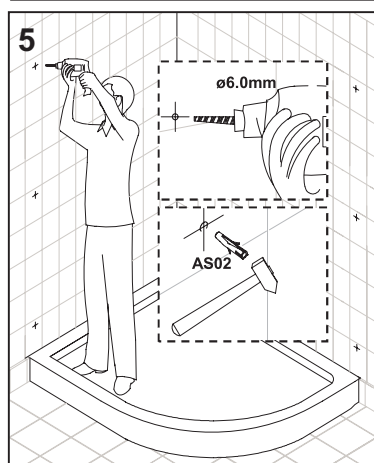
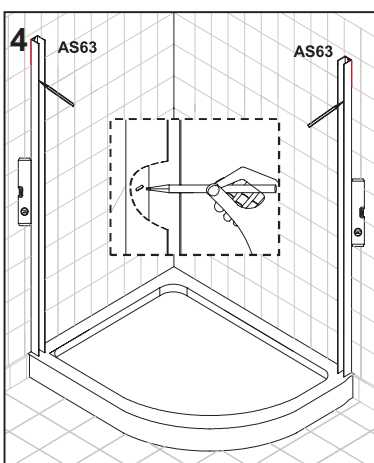
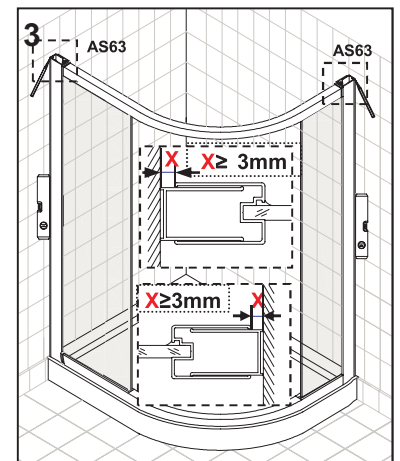
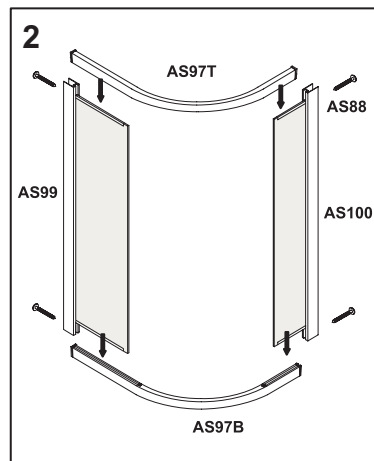
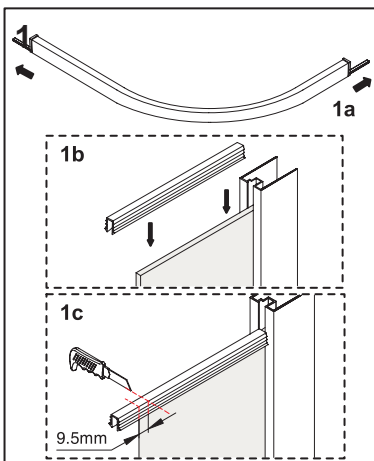
### Installation Note:

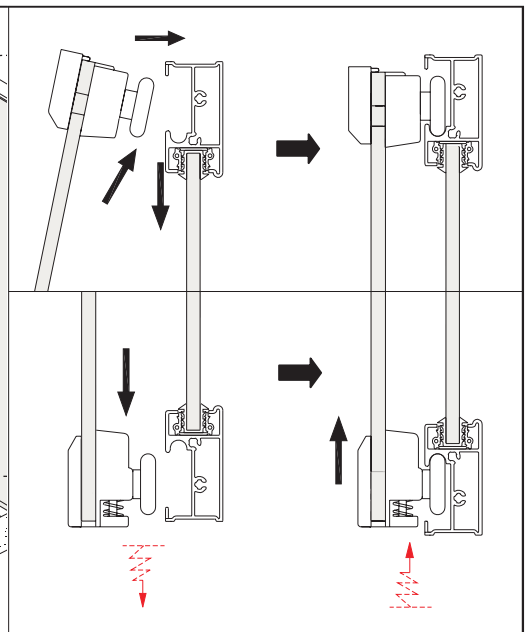
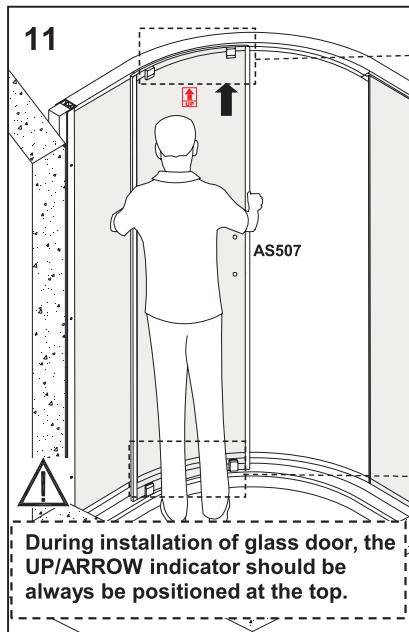
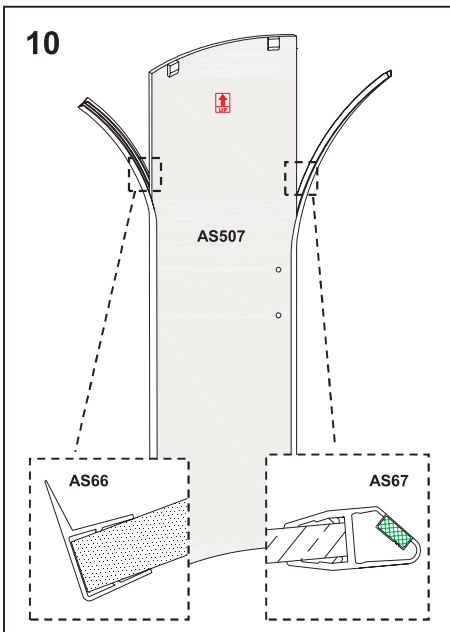
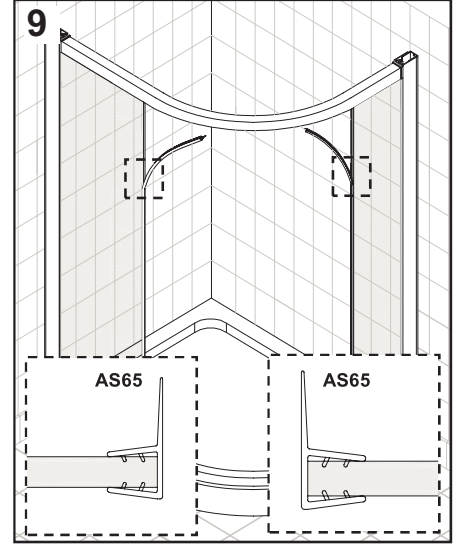
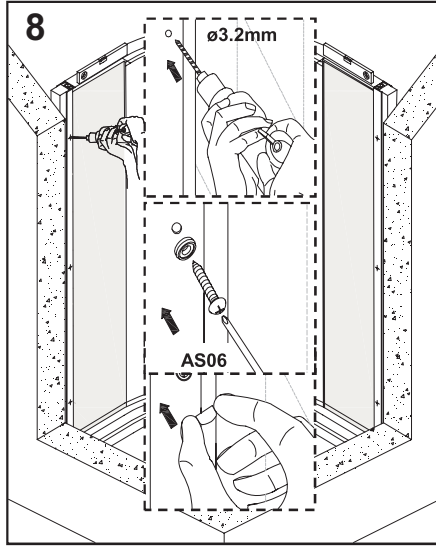
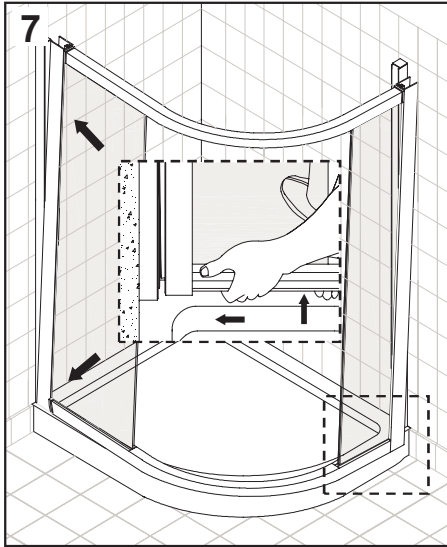


ADJUSTMENT RANGE	
PRODUCT	A (mm)
1200 Offset Quadrant	1165~1190/ 865~890

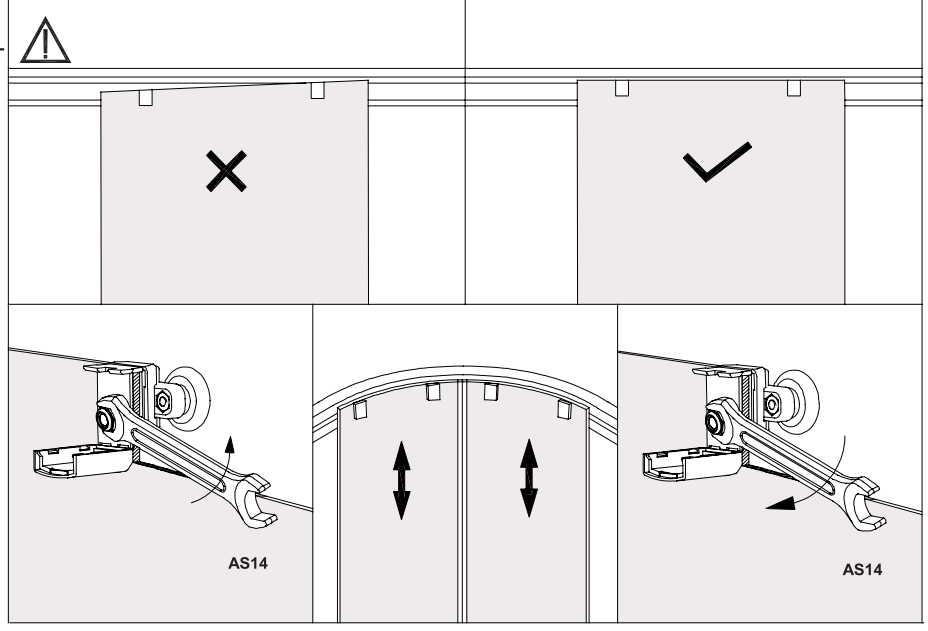
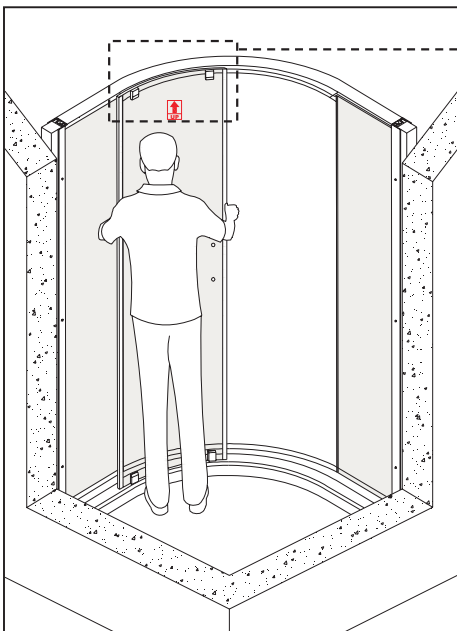
Please measure the distance between two walls before installation. Ensure the distance is within the adjustment range of product, as is listed left.

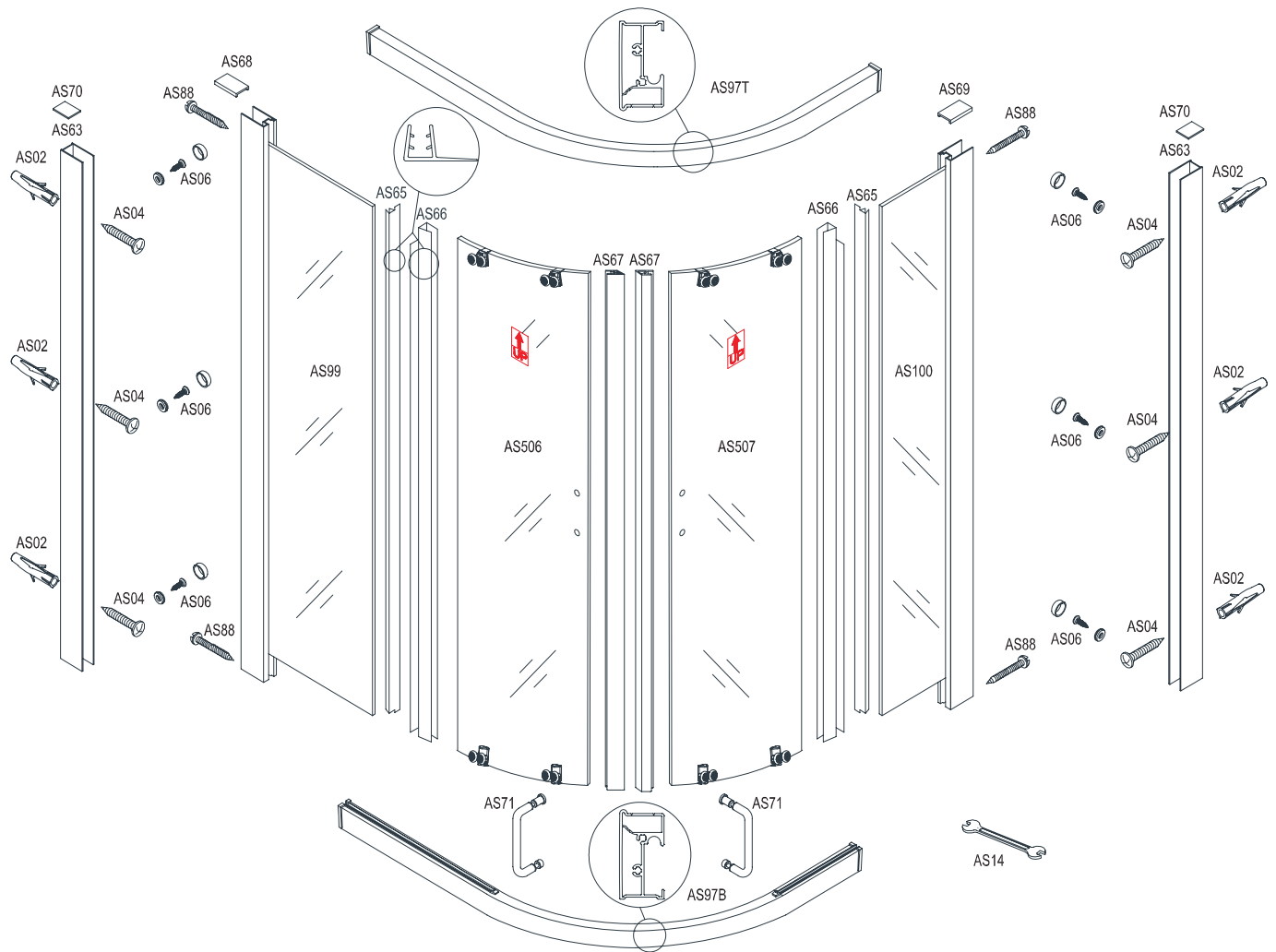
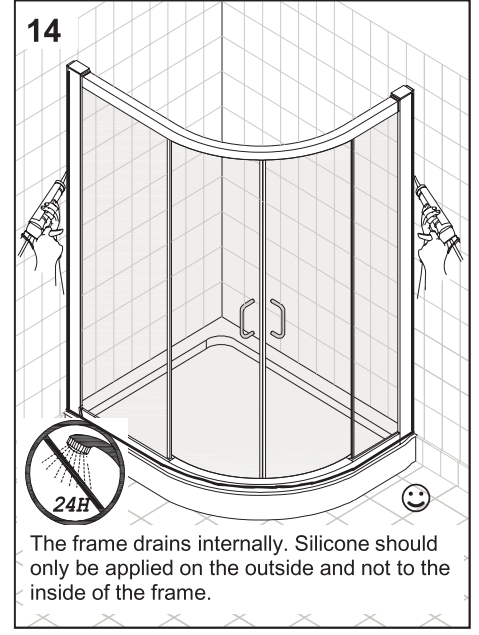
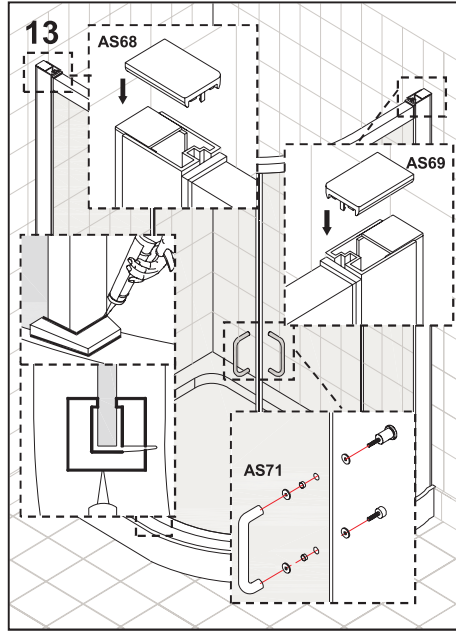
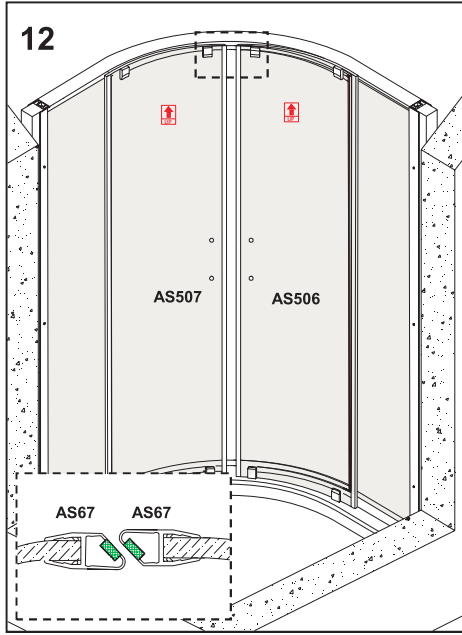
The tray should be installed by a suitably qualified person. The tray should be level, the walls should be tiled down to the tray, and the horizontal gap between the tiles and tray must be sealed with silicone sealant to ensure water-tightness.





⚠ If adjustment is required follow the steps below.





**MAINTENANCE FOR EASY CLEAN GLASS**

This side with the label "EASY CLEAN THIS SIDE" is coated.  
 Only use a mild detergents and soft clothes on the Clean Plus surface.  
 Strong chemicals and abrasive cleaners can cause damage to the coating.  
 For further advice or information, visit us at [bathstore.com](http://bathstore.com) or contact  
 our customer service team on 03332 412701