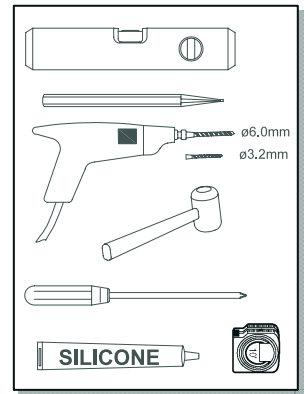
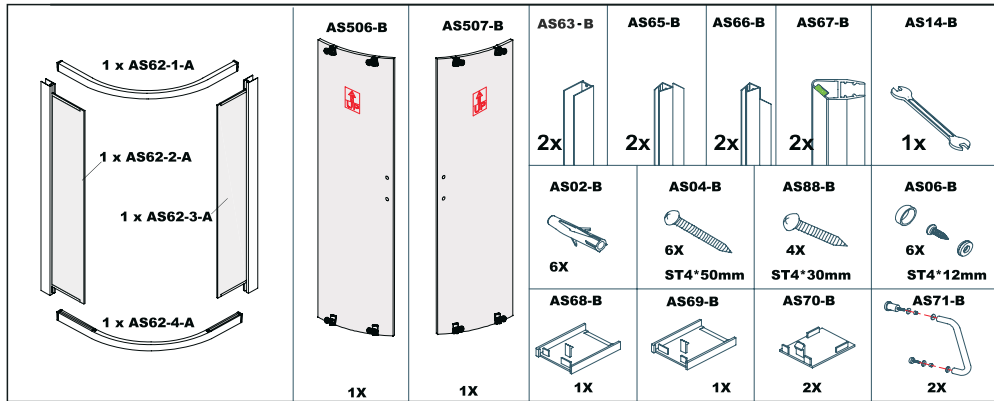
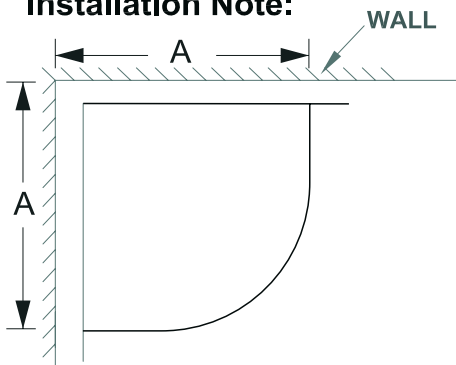


## ATLAS QUADRANT CLEAN PLUS

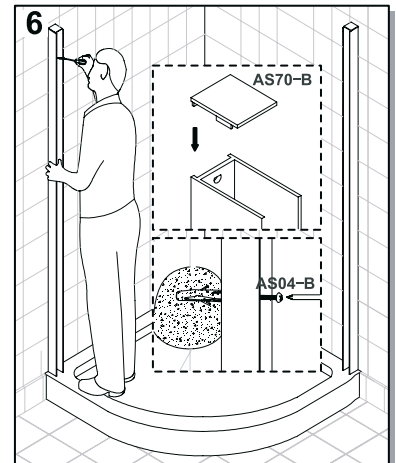
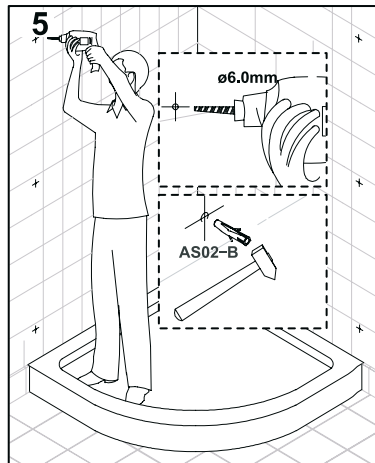
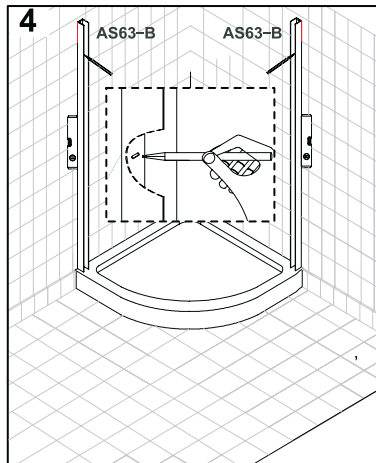
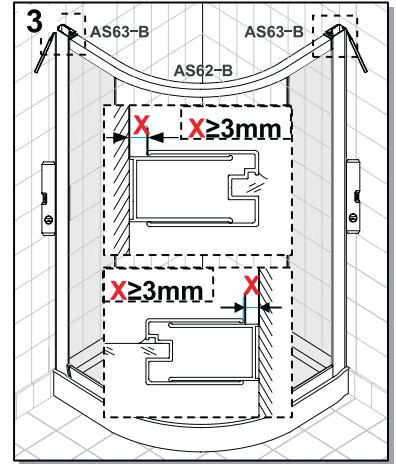
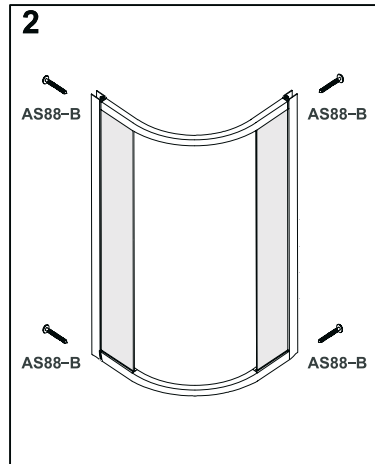
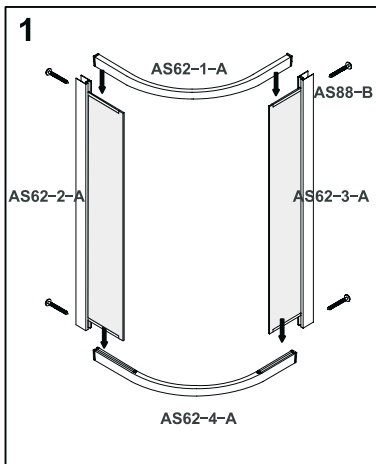


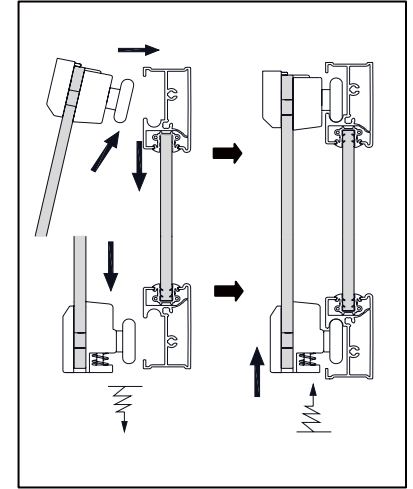
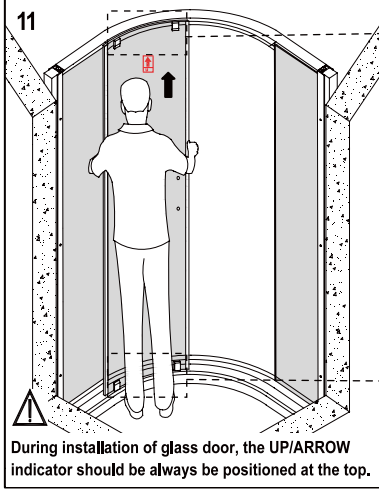
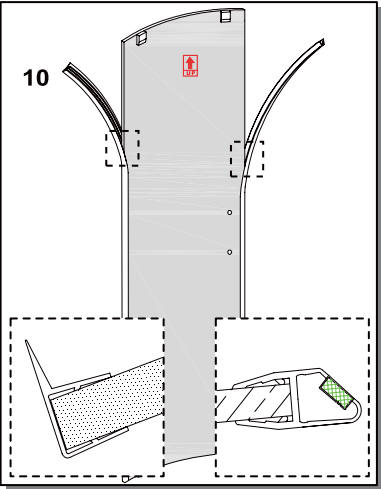
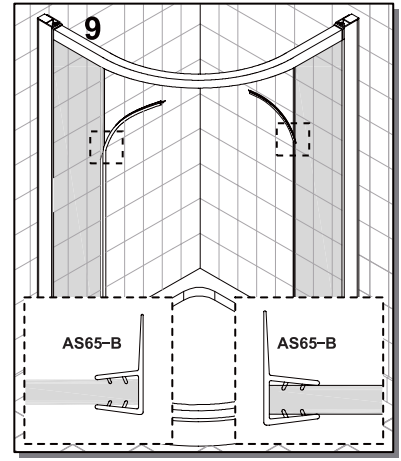
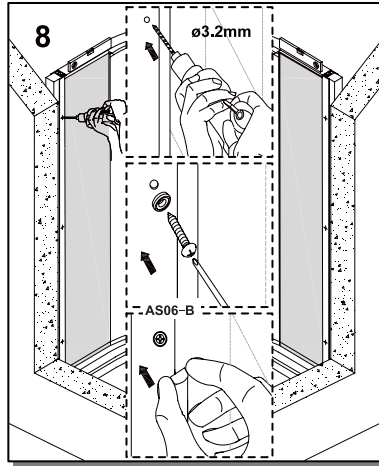
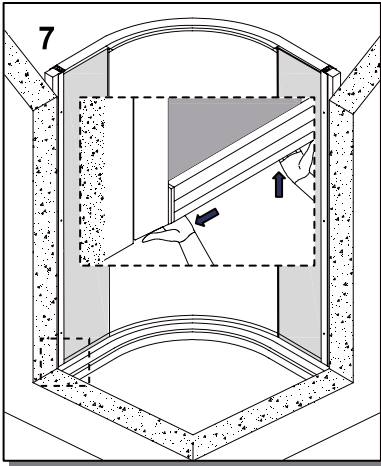
### Installation Note:



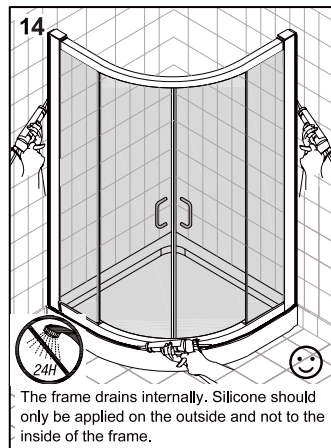
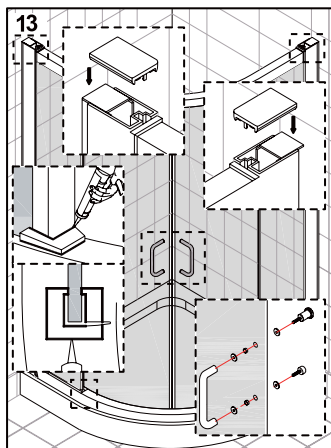
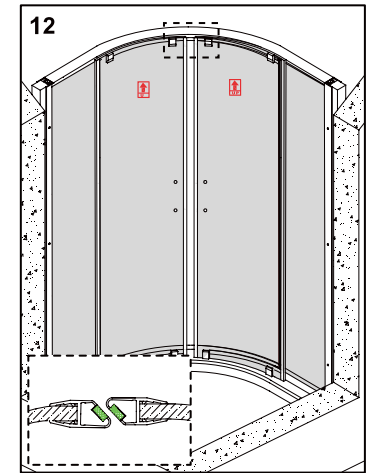
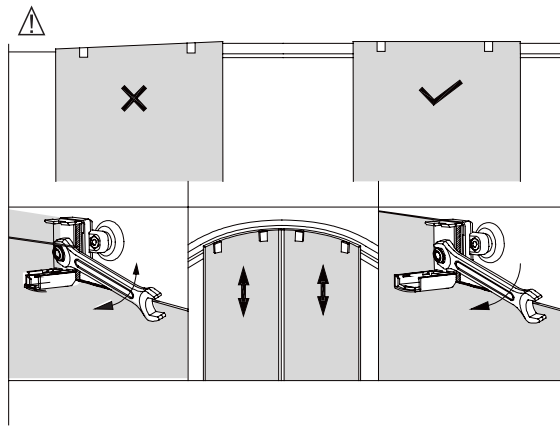
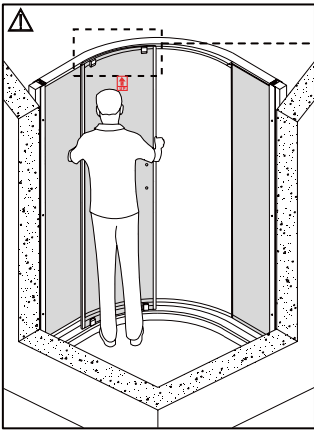
ADJUSTMENT RANGE	
PRODUCT	A (mm)
800 Quadrant door	765-790
900 Quadrant door	865-890
1000 Quadrant door	965-990

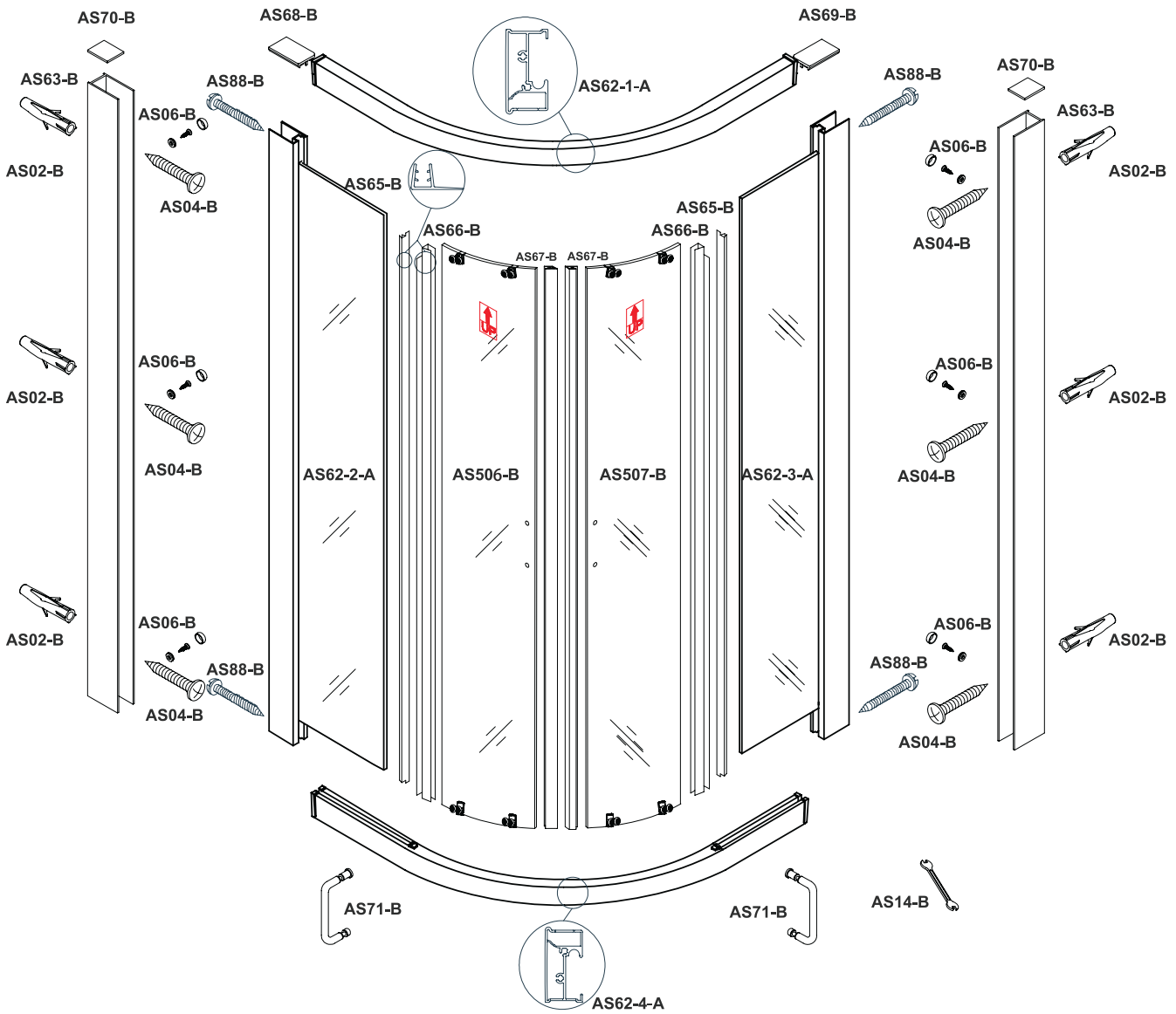
Please measure the distance between two walls before installation. Ensure the distance is within the adjustment range of product, as is listed left.





⚠ If adjustment is required follow the steps below.





**MAINTENANCE FOR EASY CLEAN GLASS**

This side with the label "EASY CLEAN THIS SIDE" is coated.  
 Only use a mild detergents and soft clothes on the Clean Plus surface.  
 Strong chemicals and abrasive cleaners can cause damage to the coating.  
 For further advice or information, visit us at [bathstore.com](http://bathstore.com) or contact  
 our customer service team on 03332 412701