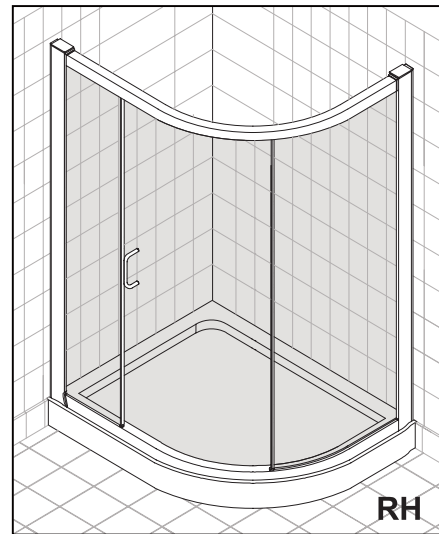
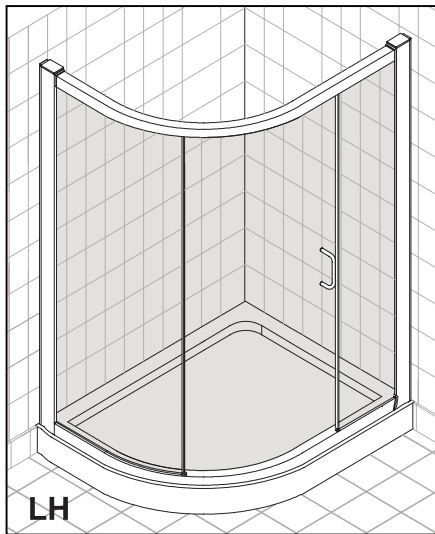
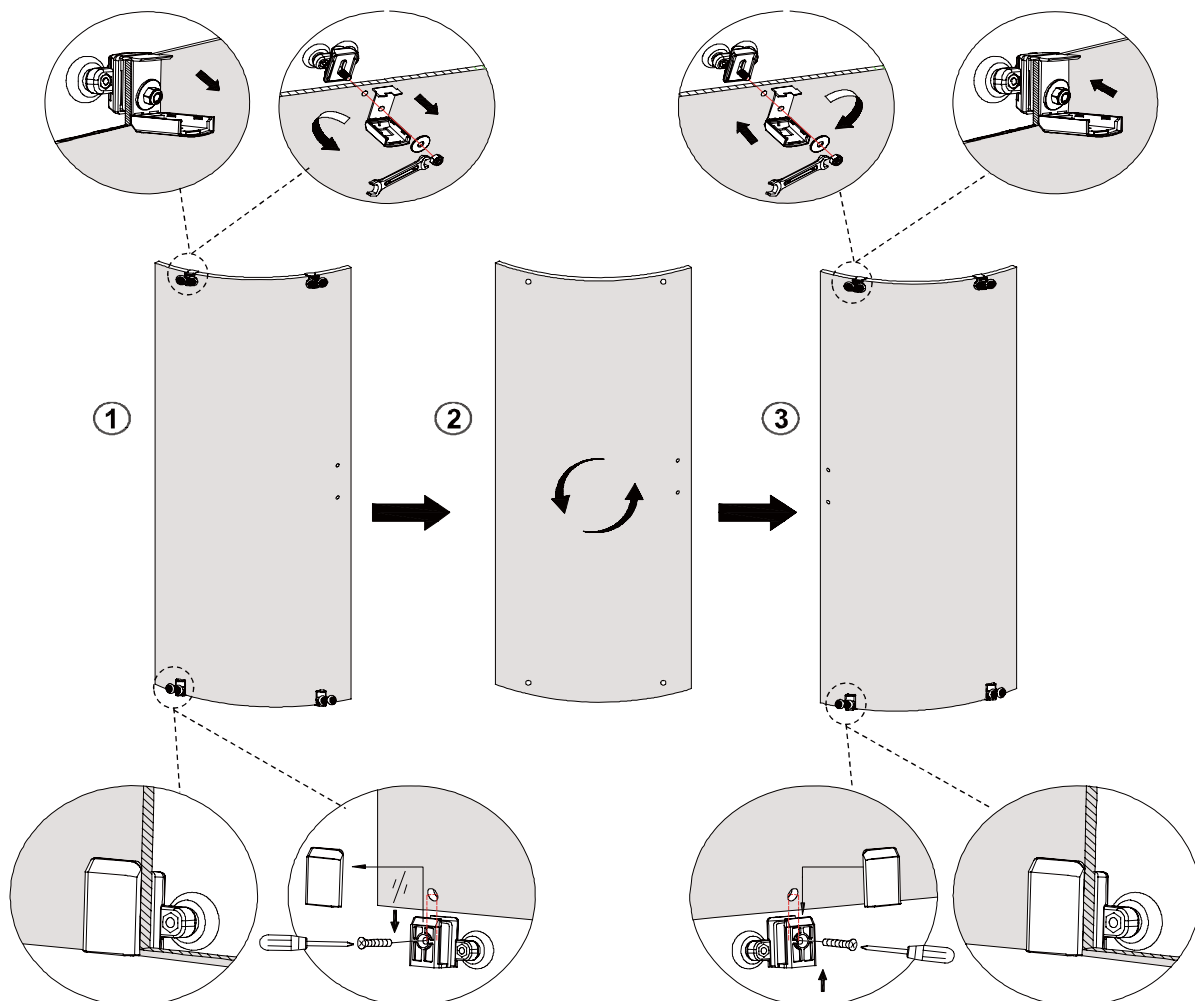


## ATLAS 1100 OFFSET QUADRANT CLEAN PLUS

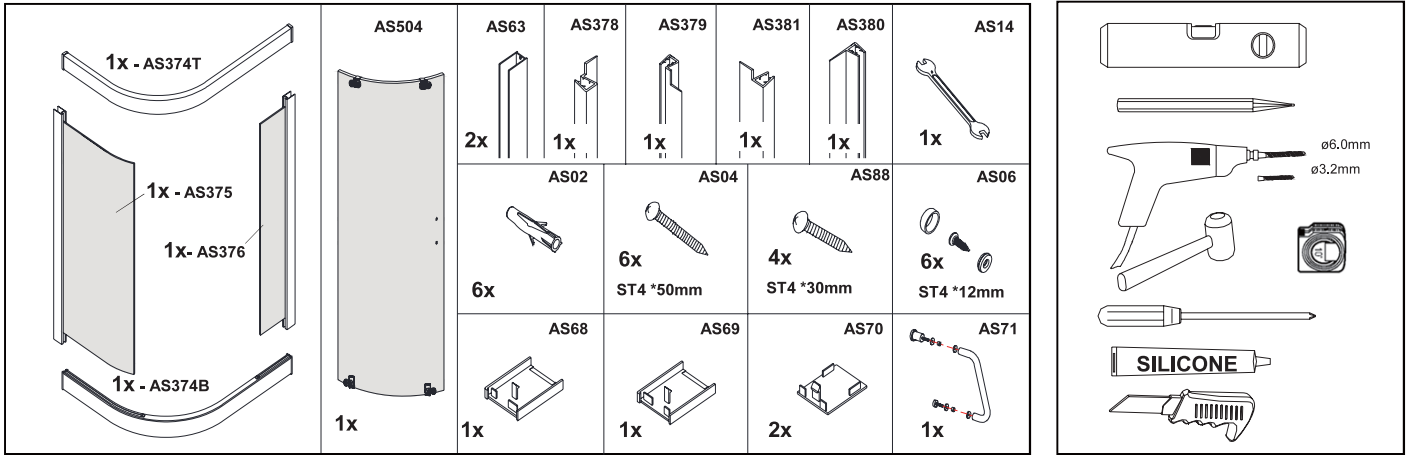


The Offset Quadrant shower enclosure is reversible for left or right hand fitting. These instructions show Left Hand installation for Right Hand installation follow the instructions below before installing.

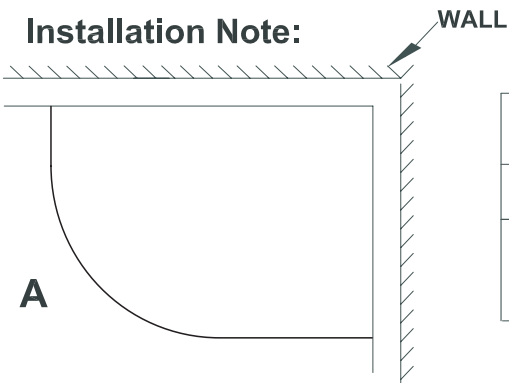
- 1: Disassemble the top and bottom roller using the tool supplied (as14) .
- 2: Turn the glass up side down.
- 3: Reinstall the top and bottom roller.



The tray should be installed by a suitably qualified person. The tray should be level, the walls should be tiled down to the tray, and the horizontal gap between the tiles and tray must be sealed with silicone sealant to ensure water-tightness.

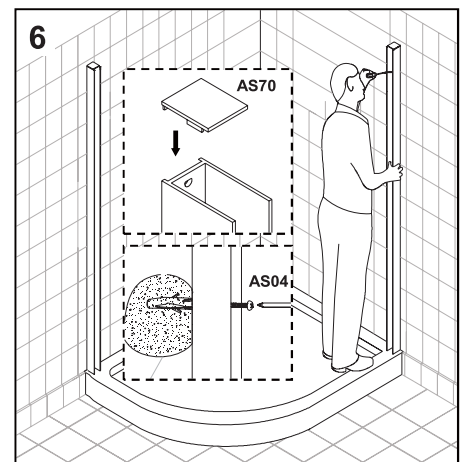
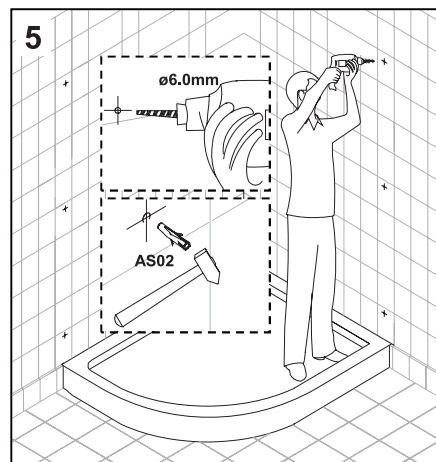
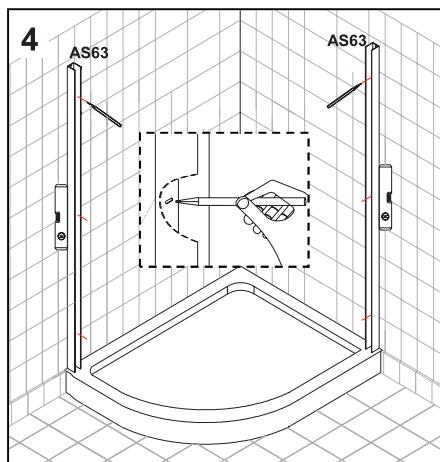
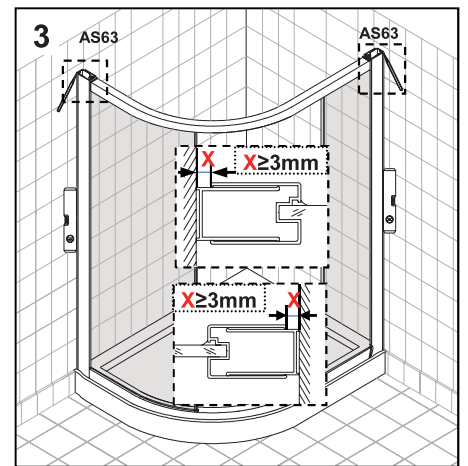
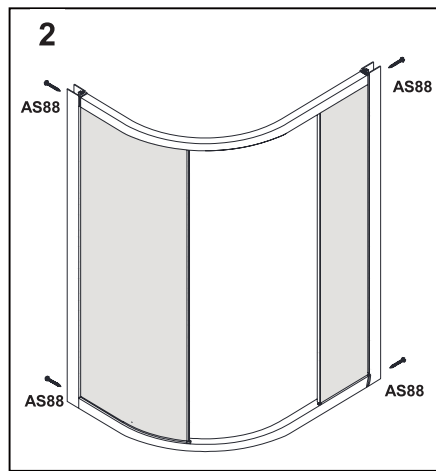
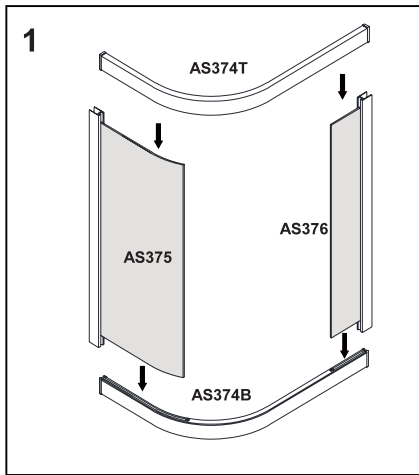


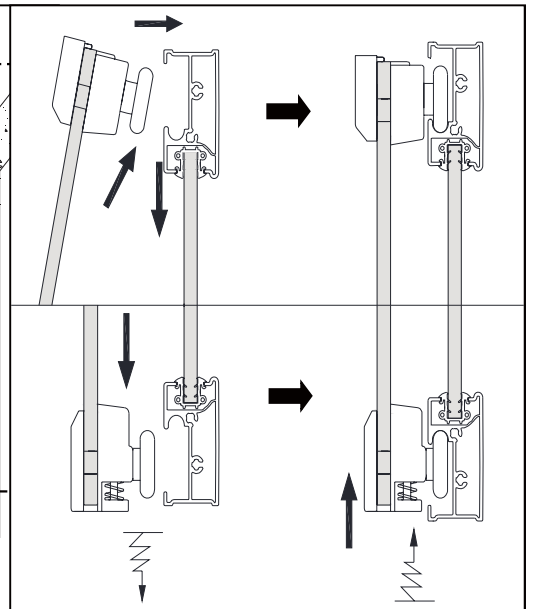
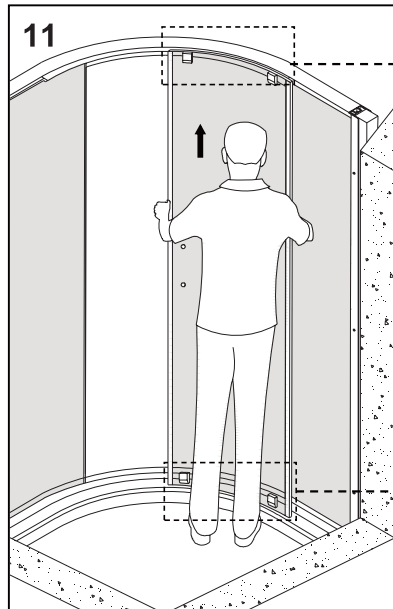
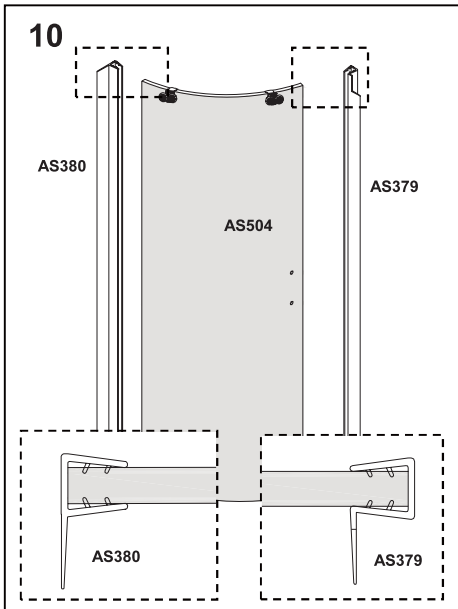
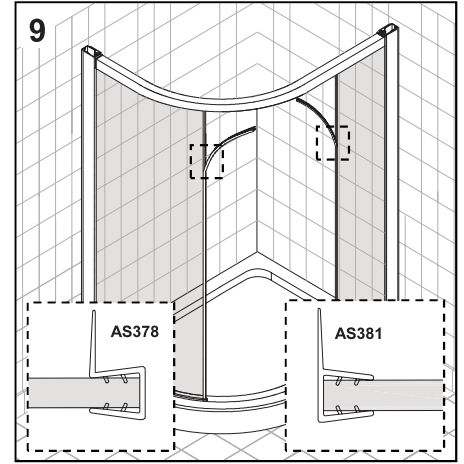
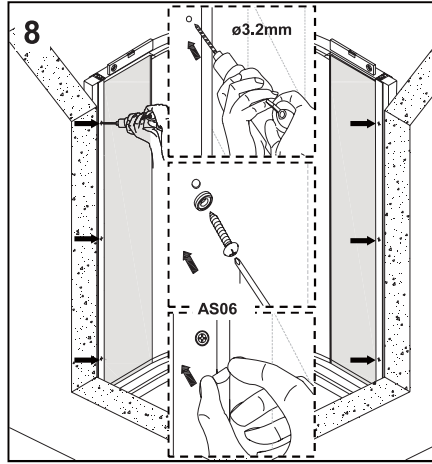
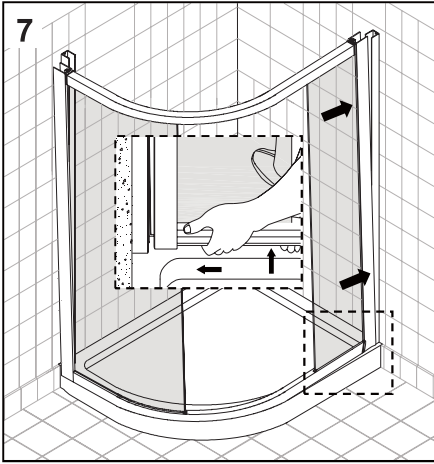
**Installation Note:**



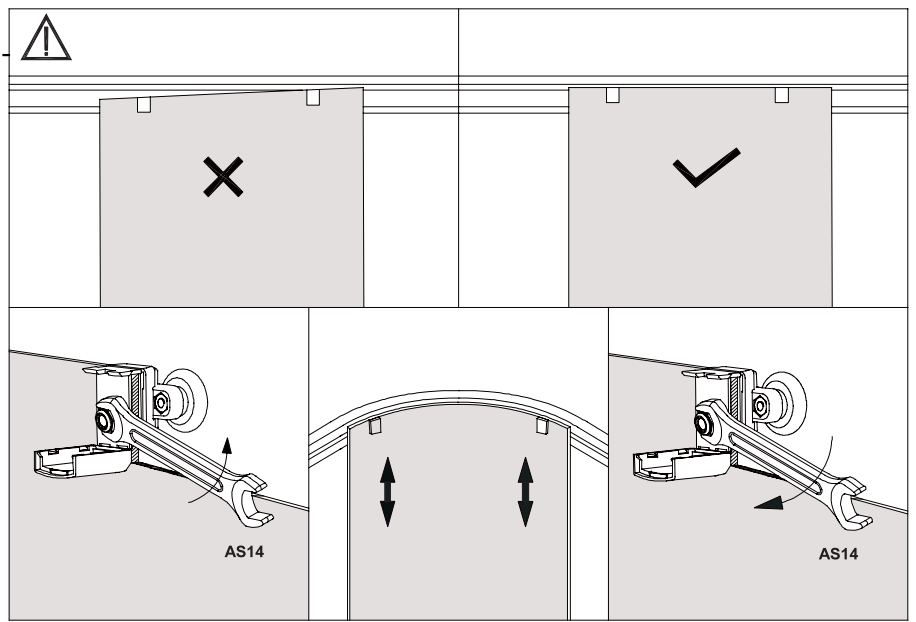
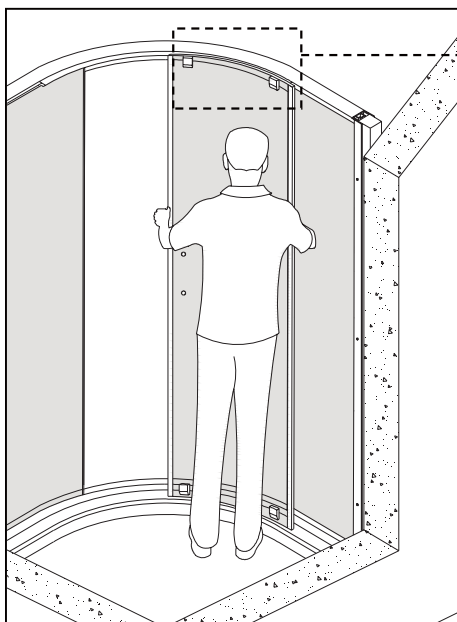
| ADJUSTMENT RANGE     |                       |
|----------------------|-----------------------|
| PRODUCT              | A (mm)                |
| 1100 Offset Quadrant | 765~790/<br>1065~1090 |

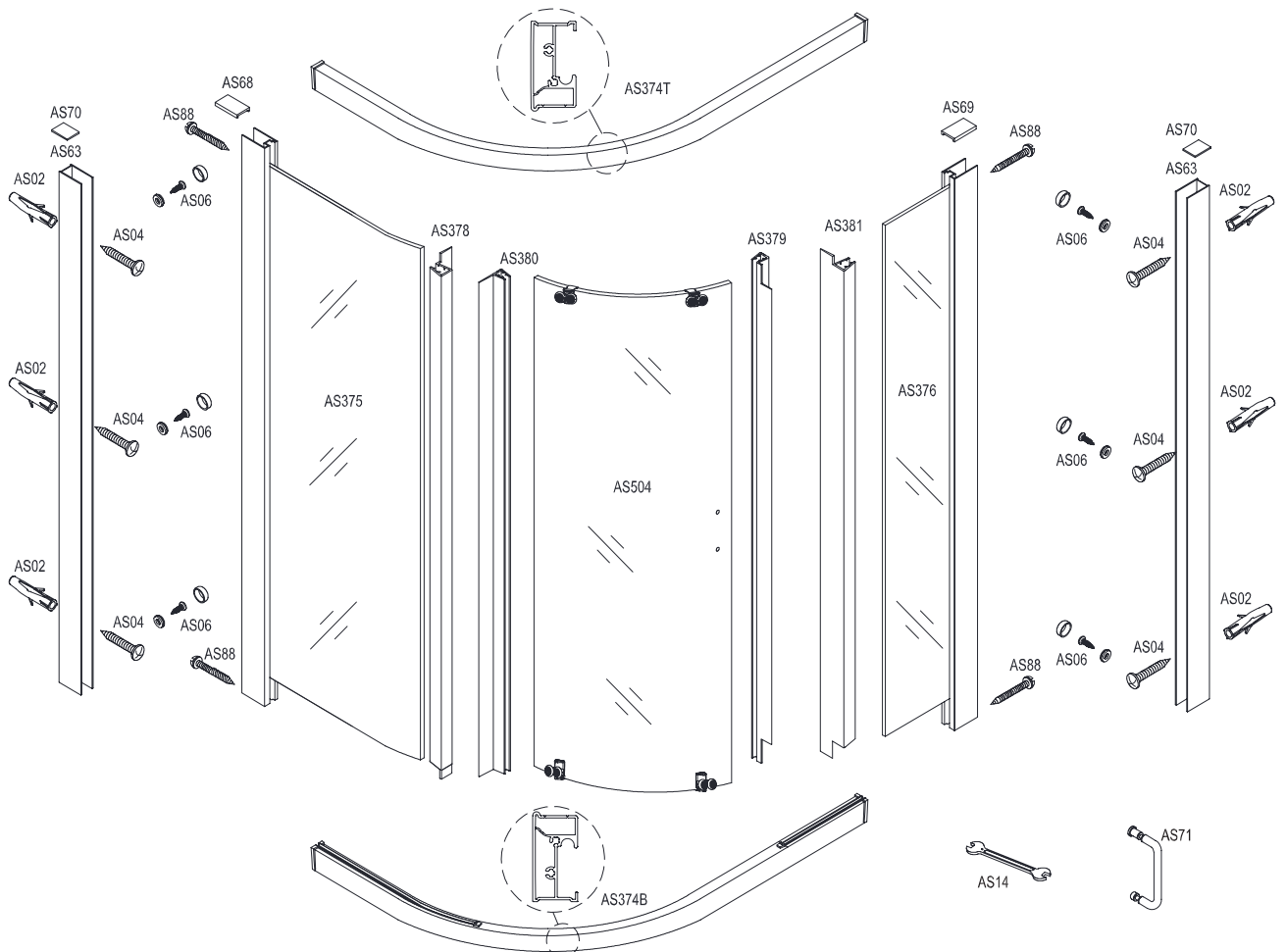
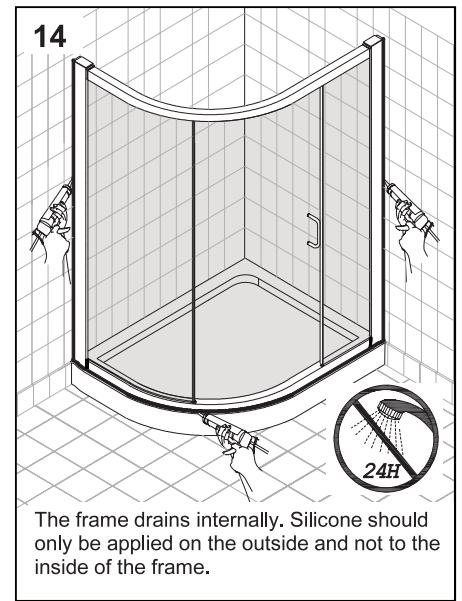
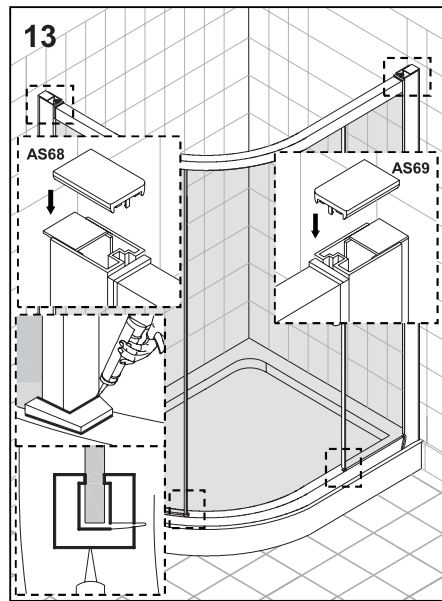
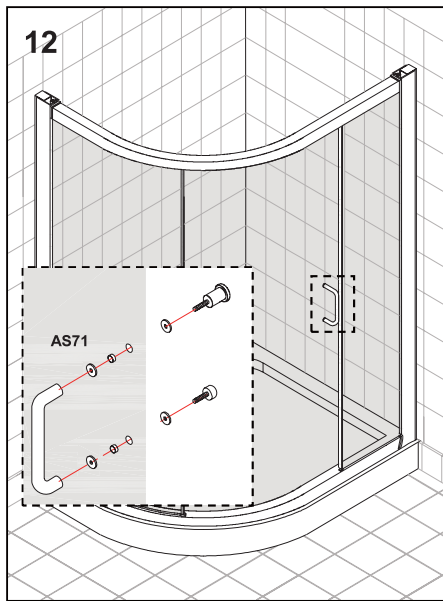
Please measure the distance between two walls before installation. Ensure the distance is within the adjustment range of product, as is listed left.





**⚠ If adjustment is required follow the steps below.**





**MAINTENANCE FOR EASY CLEAN GLASS**

This side with the label "EASY CLEAN THIS SIDE" is coated.  
 Only use a mild detergents and soft clothes on the Clean Plus surface.  
 Strong chemicals and abrasive cleaners can cause damage to the coating.  
 For further advice or information, visit us at [bathstore.com](http://bathstore.com) or contact  
 our customer service team on 03332 412701