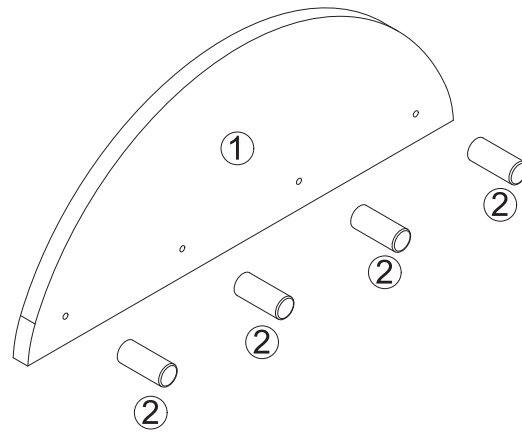
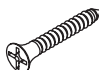
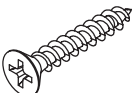
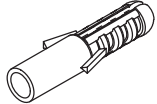
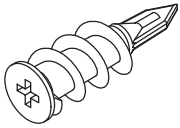
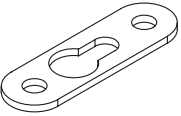



**Care Instructions;** We recommend to wipe over with a dry micro-fibre cloth to remove any dust. Avoid using a damp or wet cloth and any cleaning chemicals as this may cause damage to the surface.

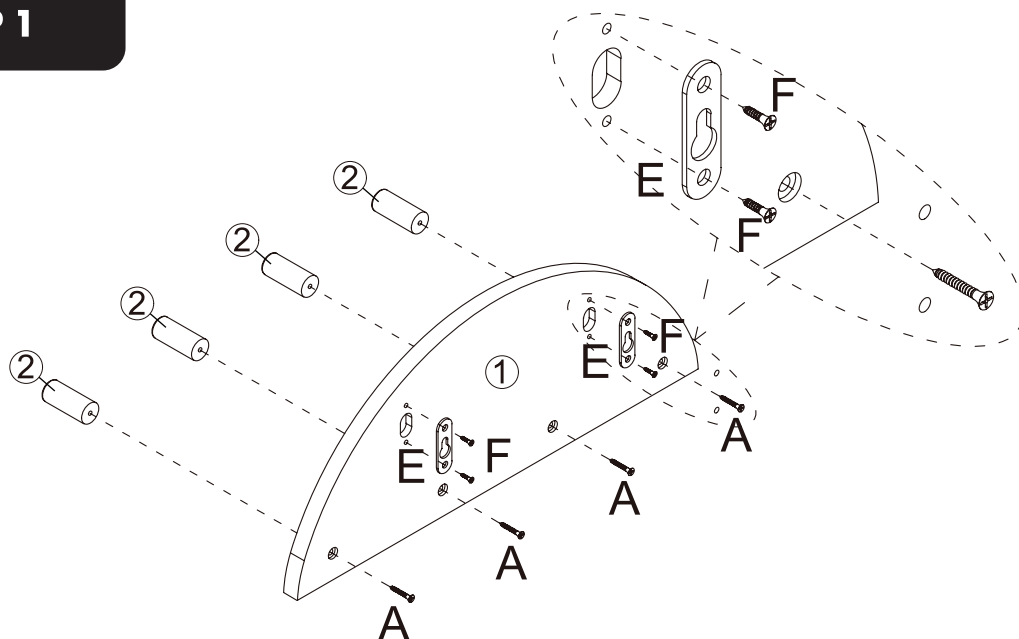
**ELEMENTS**



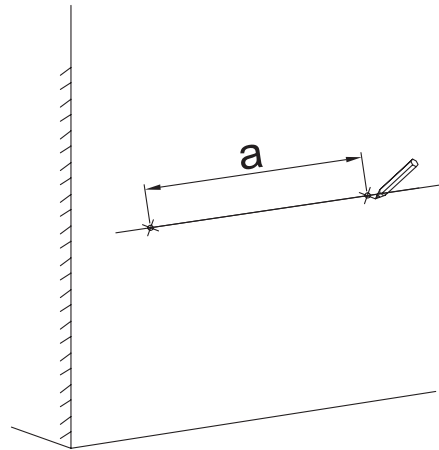
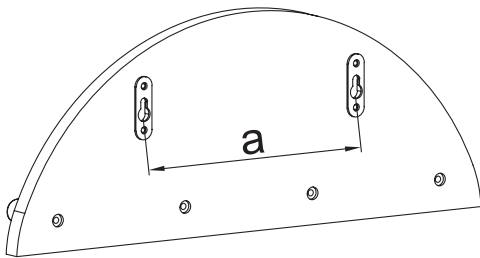
**HARDWARE**

<p><b>A</b></p>  <p><b>x4</b></p>	<p><b>B</b></p>  <p><b>x2</b></p>	<p><b>C</b></p>  <p><b>x2</b></p>	<p><b>D</b></p>  <p><b>x2</b></p>	<p><b>E</b></p>  <p><b>x2</b></p>	<p><b>F</b></p>  <p><b>x4</b></p>
----------------------------------------------------------------------------------------------------------------------	----------------------------------------------------------------------------------------------------------------------	----------------------------------------------------------------------------------------------------------------------	----------------------------------------------------------------------------------------------------------------------	------------------------------------------------------------------------------------------------------------------------	------------------------------------------------------------------------------------------------------------------------

**STEP 1**



**STEP 2**



⚠ Please measure actual distance between holes for wall mounting.

⚠ Please perforate holes on the wall based on actual distance between holes for wall mounting.

