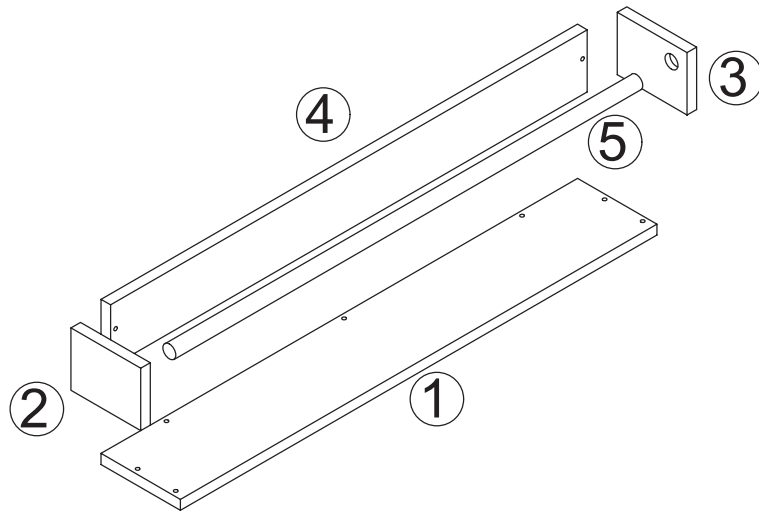

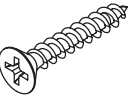
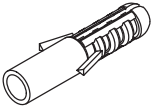
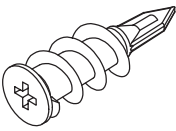
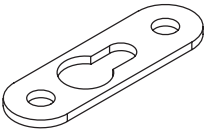



Care Instructions; We recommend to wipe over with a dry micro-fibre cloth to remove any dust. Avoid using a damp or wet cloth and any cleaning chemicals as this may cause damage to the surface.

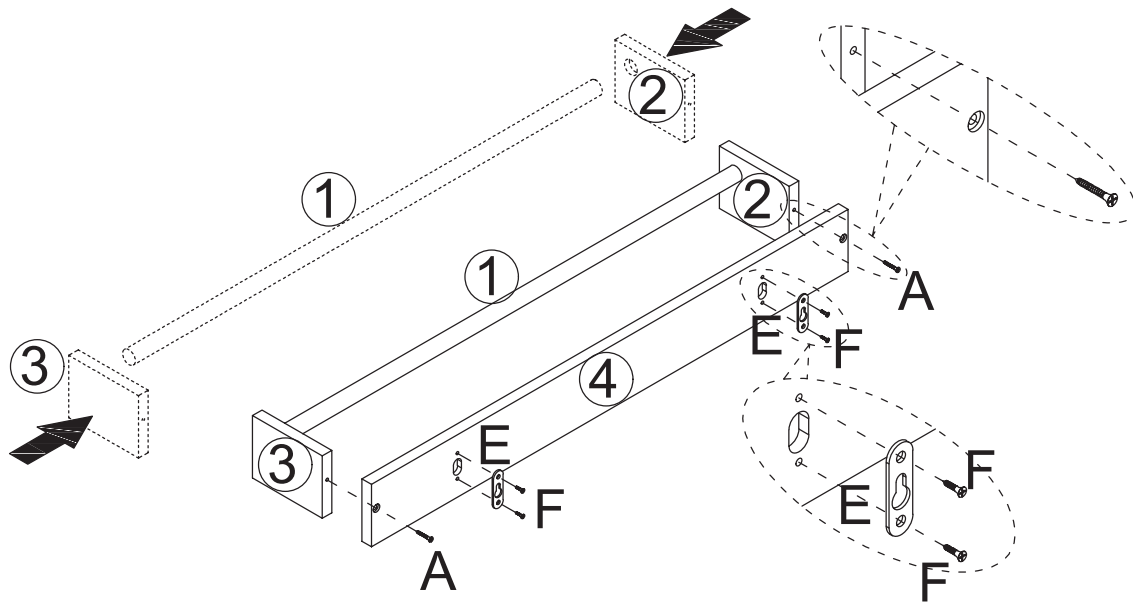
ELEMENTS



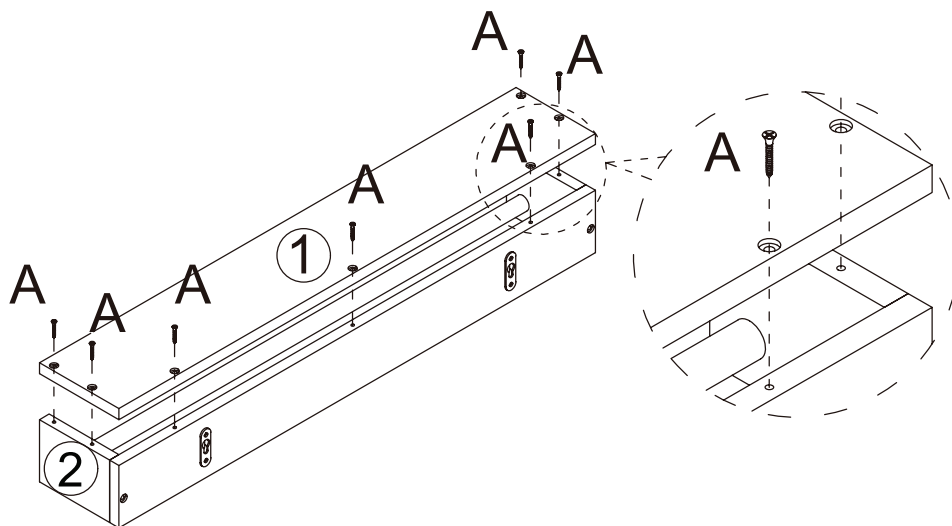
HARDWARE

<p>A</p>  <p>x9</p>	<p>B</p>  <p>x2</p>	<p>C</p>  <p>x2</p>
<p>D</p>  <p>x2</p>	<p>E</p>  <p>x2</p>	<p>F</p>  <p>x4</p>

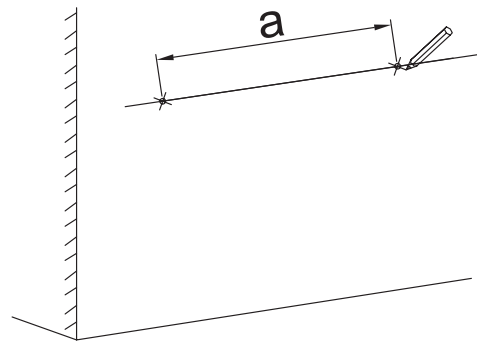
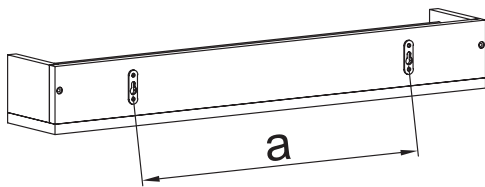
STEP 1



STEP 2

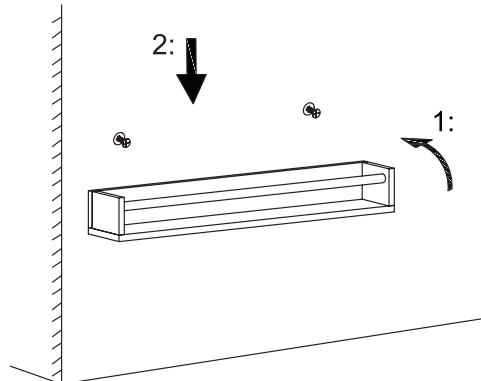
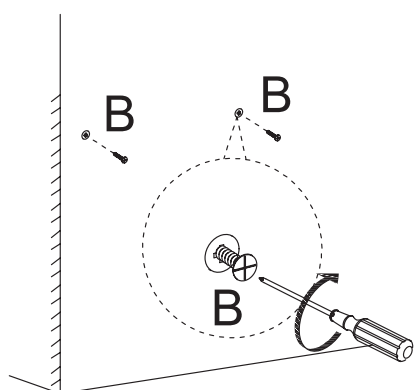
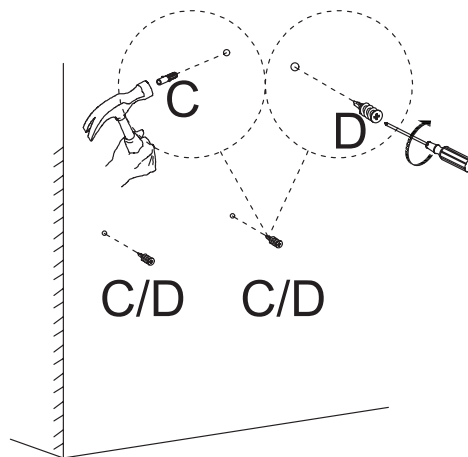
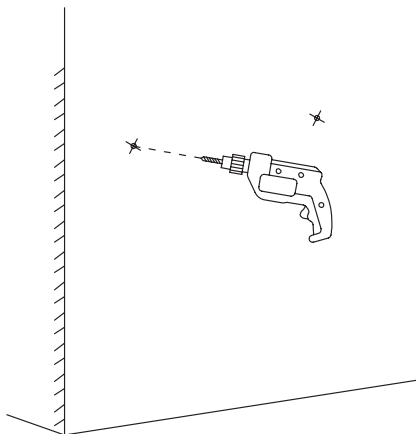


STEP 3



! Please measure actual distance between holes for wall mounting.

! Please perforate holes on the wall based on actual distance between holes for wall mounting.



MANUFACTURED BY: SFN LIMITED
Arcadia House, Maritime Walk, Southampton S014 3TL, United Kingdom