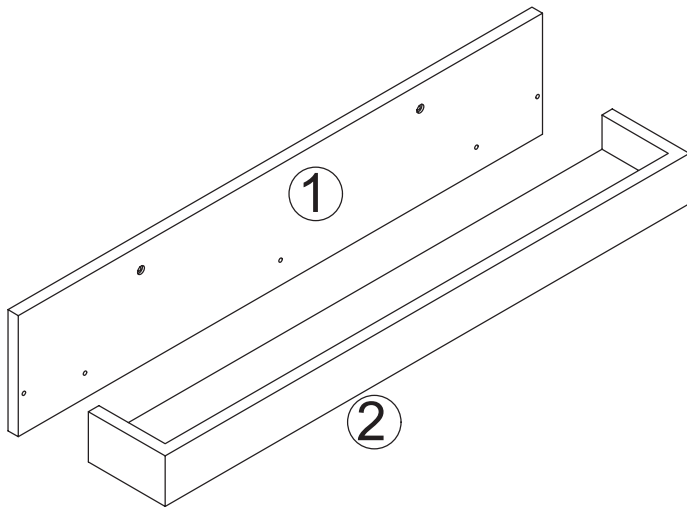
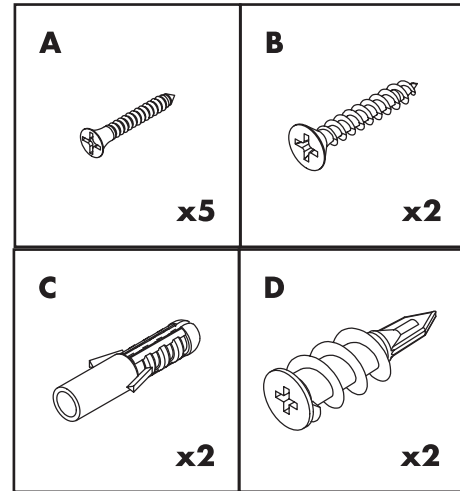


Care Instructions; We recommend to wipe over with a dry micro-fibre cloth to remove any dust. Avoid using a damp or wet cloth and any cleaning chemicals as this may cause damage to the surface.

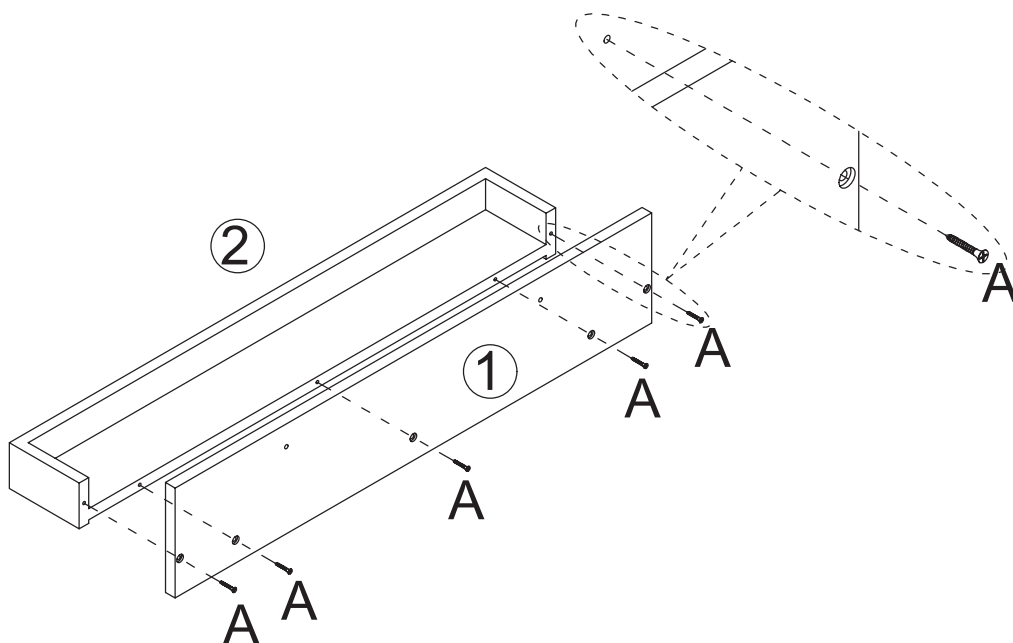
ELEMENTS



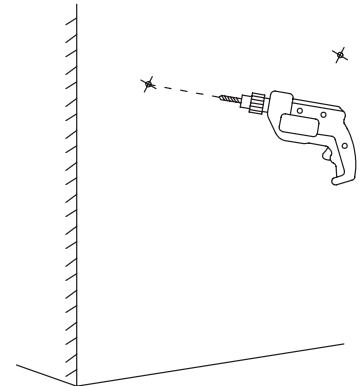
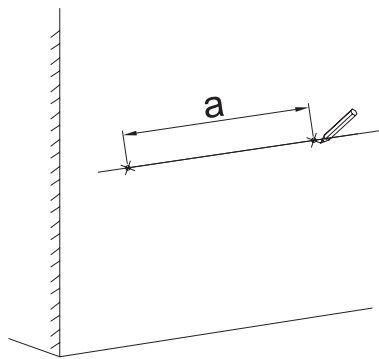
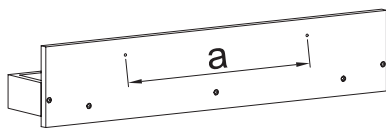
HARDWARE



STEP 1



STEP 2



⚠ Please measure actual distance between holes for wall mounting.

⚠ Please perforate holes on the wall based on actual distance between holes for wall mounting.

