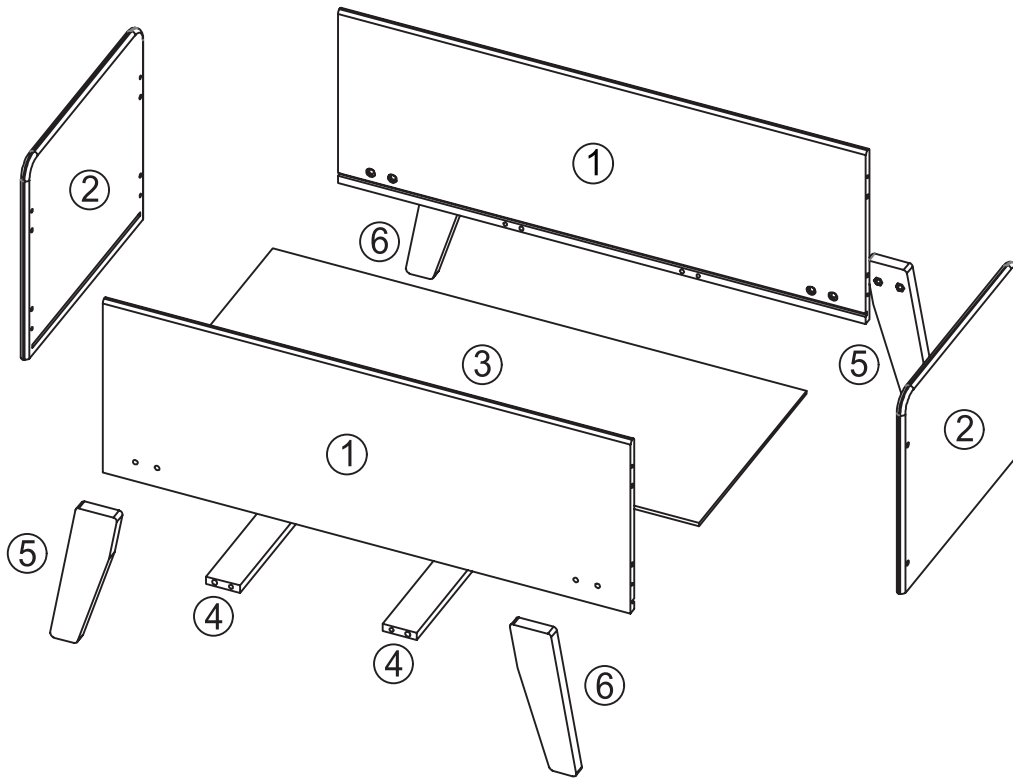
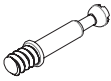

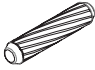

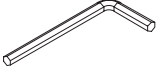

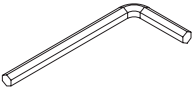




**Care Instructions;** We recommend to wipe over with a dry micro-fibre cloth to remove any dust. Avoid using a damp or wet cloth and any cleaning chemicals as this may cause damage to the surface.

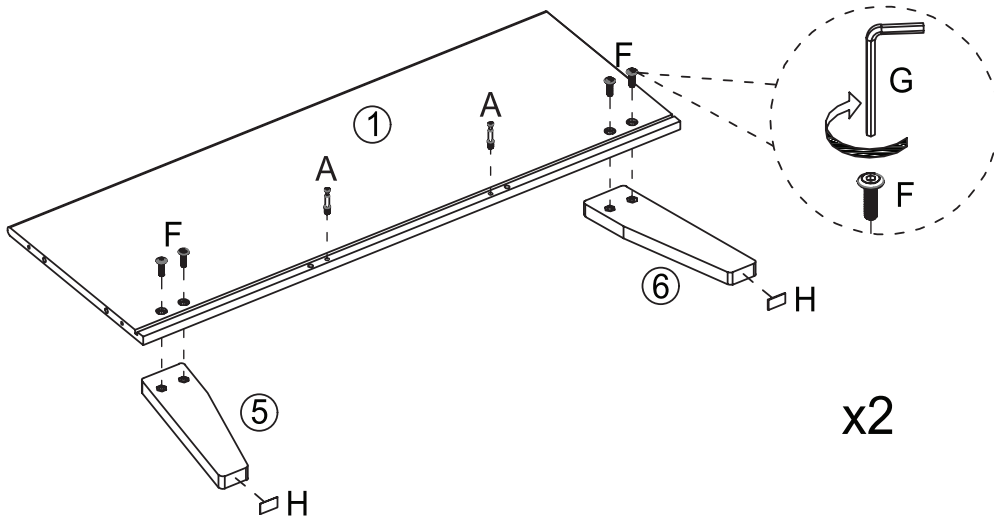
**ELEMENTS**



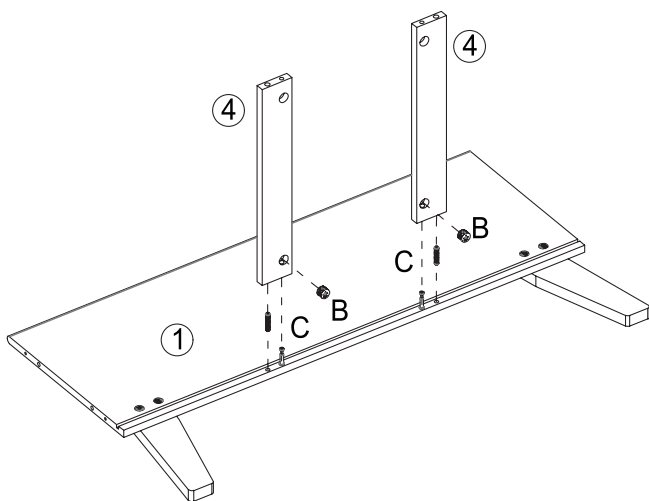
**HARDWARE**

<p><b>A</b></p>  <p><b>x4</b></p>	<p><b>B</b></p>  <p><b>x4</b></p>	<p><b>C</b></p>  <p><b>x12</b></p>	<p><b>D</b></p>  <p><b>x8</b></p>	<p><b>E</b></p>  <p><b>x1</b></p>	<p><b>F</b></p>  <p><b>x8</b></p>
<p><b>G</b></p>  <p><b>x1</b></p>	<p><b>H</b></p>  <p><b>x4</b></p>	<p><b>I</b></p>  <p><b>x16</b></p>			

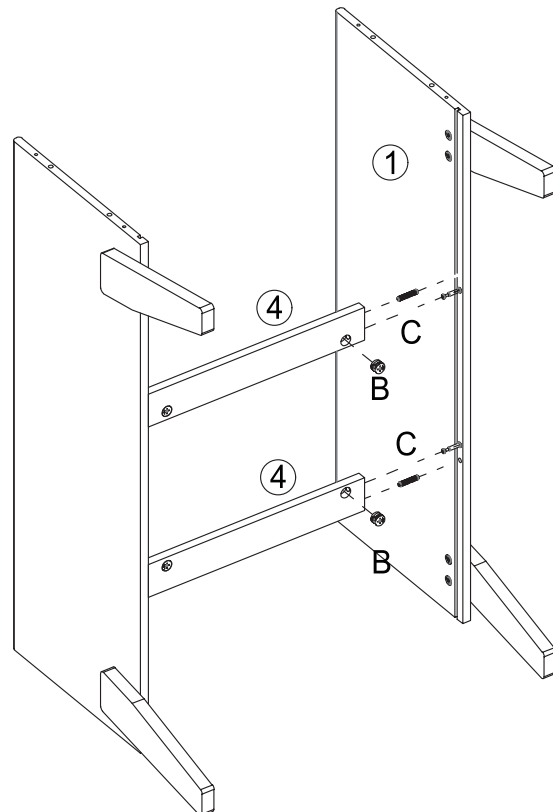
**STEP 1**



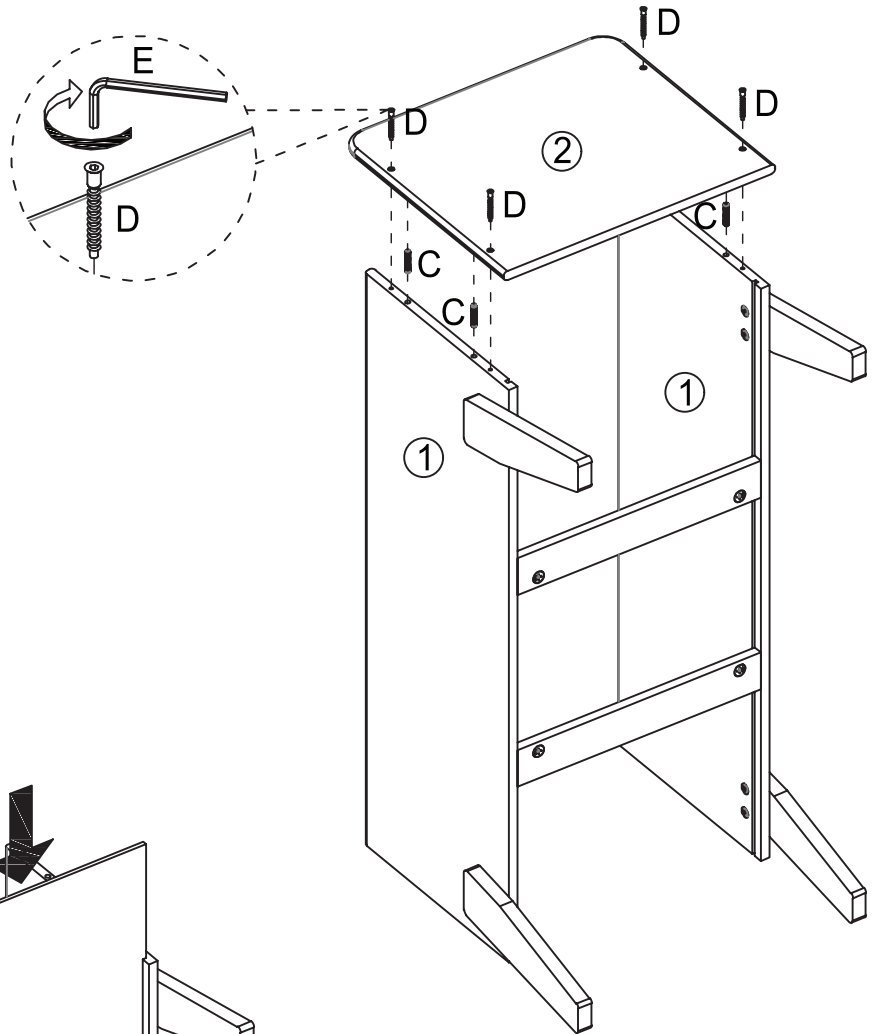
**STEP 2**



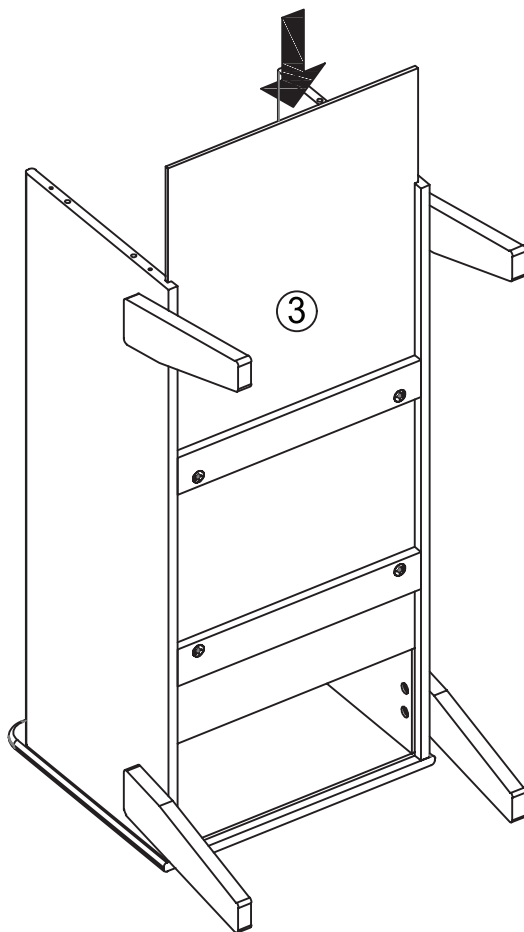
**STEP 3**



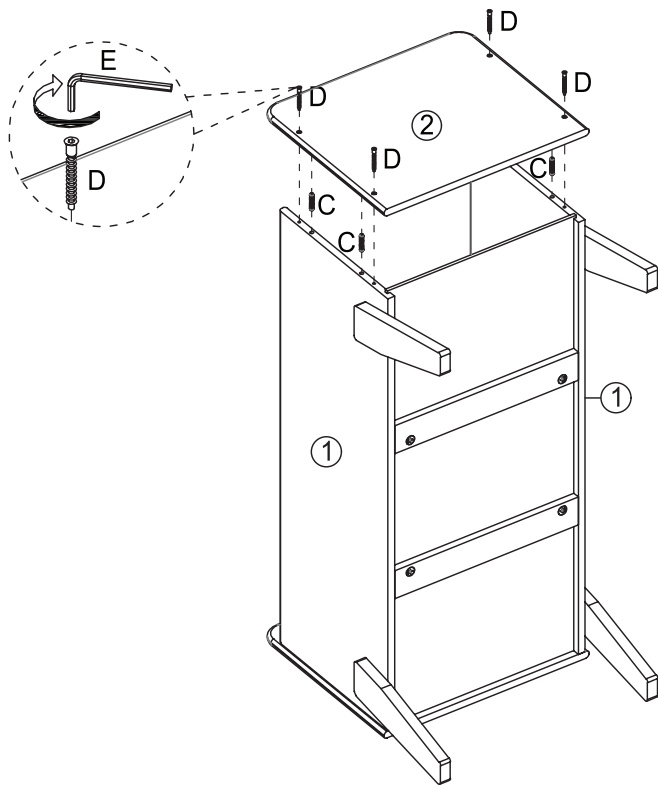
**STEP 4**



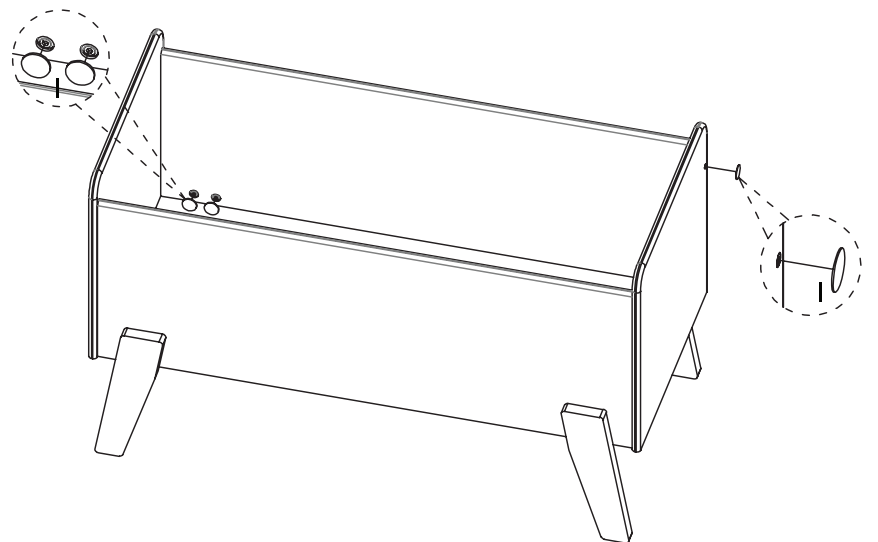
**STEP 5**



**STEP 6**



**STEP 7**



**MANUFACTURED BY: SFN LIMITED**  
Arcadia House, Maritime Walk,  
Southampton S014 3TL, United Kingdom