

# POWERBASE

20V 5Ah Battery 620673

## Instruction Manual

**IMPORTANT!**  
Please read these instructions fully before starting assembly.



These instructions contain important information that will help you get the best from your product, ensuring it is assembled correctly and safely. If you need help or have damaged or missing parts, call the Customer Helpline on 01904 727 509.

# Contents

Intended use	03
In the box	03
Symbols	04
General safety warnings	05
Charging the battery	07
Capacity display	09
Technical data	09
Cleaning, maintenance and storage	10
Disposal	10
Troubleshooting	11
Getting help	12
Warranty	12

# Intended Use

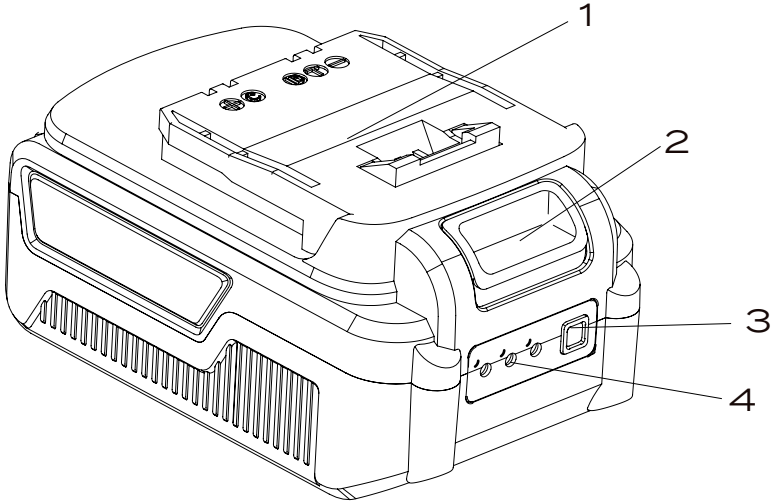
This battery should only be used for Powerbase 20V and 40V range products. It is for domestic use only, not for commercial, industrial or trade use.

# In the Box

## Contents

- 1 x Battery pack
- 1 x Instruction manual

## Parts



1. Battery pack
2. Release button
3. Display button
4. Capacity display (3 LED lights)

# Symbols



Before use, carefully read through the user manual.



The battery is for indoor use only.



Do not throw into water.



Do not dispose of batteries in a fire. They will explode and cause injury.



Do not subject the battery to strong sunlight over long periods of time. Do not leave on a heater (max. 45°C).



Batteries contain Li-ion. Do not dispose of exhausted batteries in domestic waste. Contact your local authority to find out how to dispose of batteries safely.



WEEE symbol. Waste electrical products should not be disposed of with household waste. Please recycle where facilities exist. Check with your local authority or local store for recycling advice.



The product complies with the applicable European Directives, and an evaluation method of conformity for these directives was done.



The product complies with the applicable UK Directives, and an evaluation method of conformity for these directives was done.

# General Safety Warnings

## Safety instructions for the battery



**WARNING! Read all safety warnings and instructions.** Failure to follow the warnings and instructions may result in an electric shock, fire and/or injury.

### **Save all warnings and instructions for future reference!**

- a) Do not dismantle, open or shred secondary cells or batteries.
- b) Do not expose cells or batteries to heat or fire. Avoid storing in direct sunlight.
- c) Do not short-circuit a cell or a battery. Do not store cells or batteries haphazardly in a box or drawer where they may short circuit each other or be short-circuited by other metal objects.
- d) Do not remove a cell or battery from its original packaging until required for use.
- e) Do not subject cells or batteries to mechanical shock.
- f) In the event of a cell leaking, do not allow the liquid to come in contact with the skin or eyes. If contact has been made, wash the affected area with copious amounts of water and seek medical advice.
- g) Do not use any charger other than that specifically provided for use with the equipment.

- h) Observe the plus (+) and minus (-) marks on the cell, battery and equipment, and ensure correct use.
- i) Do not use any cell or battery which is not designed for use with the equipment.
- j) Do not mix cells of different manufacture, capacity, size or type within a device.
- k) Battery usage by children should be supervised.
- l) Seek medical advice immediately if a cell or a battery has been swallowed.
- m) Always purchase the battery recommended for the device by the manufacturer of the equipment.
- n) Keep cells and batteries clean and dry.
- o) Wipe the cell or battery terminals with a clean, dry cloth if they become dirty.
- p) Secondary cells and batteries need to be charged before use. Always use the correct charger and refer to the manufacturer's instructions or equipment manual for proper charging instructions.
- q) Do not leave a battery on prolonged charge when not in use.
- r) After extended periods of storage, it may be necessary to charge and discharge the cells or batteries several times to obtain maximum performance.

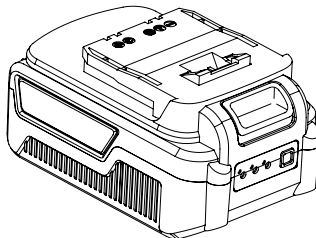
- s) Retain the original equipment manual for future reference.
- t) Use only the cell or battery in the application for which it was intended.
- u) When possible, remove the battery from the equipment when not in use.
- v) Dispose of properly.
- w) The charging temperature is between the range of 5°C to 45°C.

## Charging the Battery



If the battery cannot fit into the charger properly, remove it from the charger. Only charge a Powerbase battery in the correct charger. If the battery is hot after use in the tool, let it cool down before charging.

- a) Connect the charger to the mains.
- b) Insert the battery (1) into the charger, until it clicks into the locked position (Fig. 1).
- c) Frequently monitor the charger and battery (1) while charging.
- d) It takes about 2.5 hours to charge a fully discharged 5Ah battery with a Powerbase 2.4A charger BOQ-SPO6-2OZB.
- e) Remove the battery (1) from the charger when it is fully charged and unplug the charger from the mains.
- f) To remove the battery (1) from the charger, press the release button (2) on the battery (1) and push the battery (1) out.
- g) Let the battery (1) cool down before use.



(1)

# Charging status LEDs

1. Connect the charger to a power supply. The left red light will illuminate.
2. Slide the battery pack into the charger; make sure the battery pack is fully seated in position. The left red right is on and the right green light is flashing to indicate the charging is ongoing.
3. When charging is complete, the left light is off and the right green light is on.
4. Once the battery is fully charged, disconnect the charger from the mains and remove the battery pack from the charger.

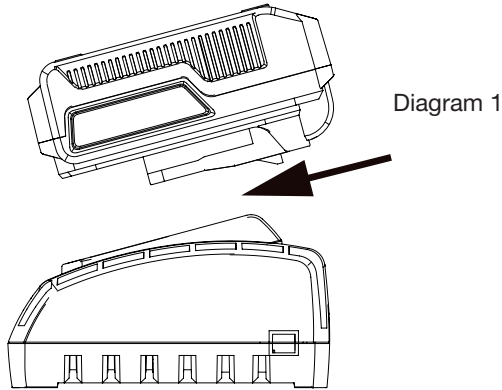


Fig. 1

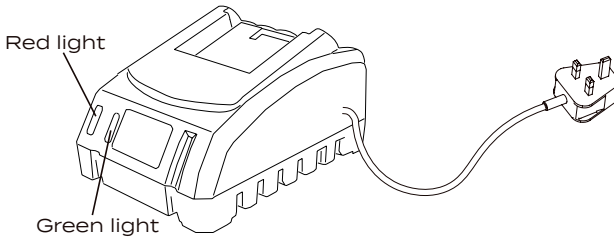
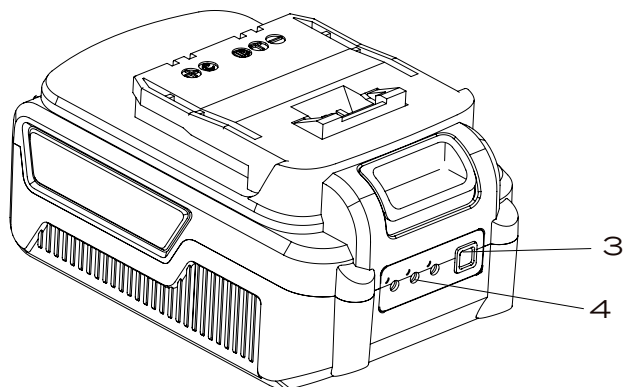


Fig. 2




# Capacity Display

The level of capacity will be displayed on the 3 LED lights (4) when the display button (3) is pressed.



## Technical Data

Model number	B0P-SPO6-20ZH
Battery type	Li-ion
Voltage	20V  max.
Capacity	5Ah/100Wh
Battery charging time	140 mins
Temperature limit	45°C
Suitable charger (charger sold separately)	
Model	BOQ-SPO7-2040ZB
Input	220-240V~ 50/60Hz 120W
Output	21V/4A

# Cleaning, Maintenance and Storage

## Cleaning

- a) Regularly clean the battery with a soft cloth, preferably after each use.
- b) If the dirt does not come off, use a soft cloth moistened with soapy water.
- c) Never use solvents such as petrol, alcohol and ammonia water, etc., to clean the battery. These solvents may damage the plastic parts.

## Maintenance

The battery has been designed to operate over a long period of time with minimal maintenance. Continuous satisfactory operation depends upon care and regular cleaning.

## Storage

Store the battery out of the reach of children in a stable and secure place. Avoid storage in direct sunlight.

## Disposal



Li-Ion

Do not dispose battery with your household refuse.  
Dispose battery according to the regulation and requirement of local council.

# Troubleshooting

Fault	Possible cause	Possible solution
Battery fails to charge.	<ol style="list-style-type: none"><li data-bbox="339 229 614 341">1. Battery not properly inserted into battery charger.</li><li data-bbox="339 349 614 400">2. Battery is too hot.</li><li data-bbox="339 408 614 459">3. Battery is defective.</li><li data-bbox="339 467 614 518">4. Charger is defective.</li></ol>	<ol style="list-style-type: none"><li data-bbox="626 172 932 255">1. Ensure battery and charger are firmly connected.</li><li data-bbox="626 263 932 491">2. If the battery is hot after continuous use in charger, allow it to cool down to room temperature before charging.</li><li data-bbox="626 499 932 550">3. Contact the service centre.</li><li data-bbox="626 558 932 609">4. Contact the service centre.</li></ol>
Battery has reduced run time.	Battery is too old.	Purchase a new battery pack.

# Getting Help

Our dedicated UK-based customer helpline is open 7 days a week to assist you with assembly, parts queries and technical support. We are open during office hours but you can always send an email via **support@coreservice.co.uk**. Our experts are here to get you back enjoying your garden in no time.

For useful assembly, starting and maintenance videos, and for ordering spares, please visit **www.coreservice.co.uk**.

Using our service does not affect your statutory rights.

## Warranty

This product is covered by a 2 year warranty.

The warranty covers any manufacturing defect in materials, workmanship and finish.

Any claim under this warranty must be made by going to your nearest Homebase store, taking your proof of purchase with you, and claims must be made within 2 years of the date of purchase.

We will offer you a free repair of the item where this is possible, or a replacement or a refund. Your statutory rights remain unaffected; in particular, any rights you may have under the Consumer Rights Act 2015.

This warranty is given by HHGL Limited, MK9 1BA; HHGL (ROI) Limited, DO2 X576.

Please note: This warranty does not apply to products misused or neglected and only covers domestic use. It does not apply to commercial use of the product.