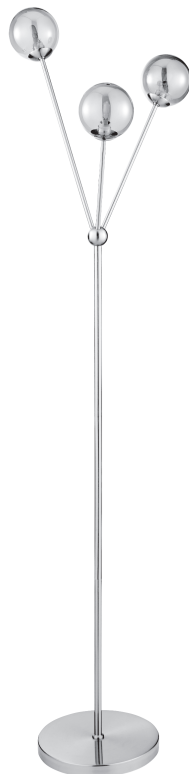


**HOMEBASE**

# **ORB 3 LIGHT FLOOR LAMP**

Requires 3 x 3W max. LED G9 capsule bulbs  
(bulbs not included)



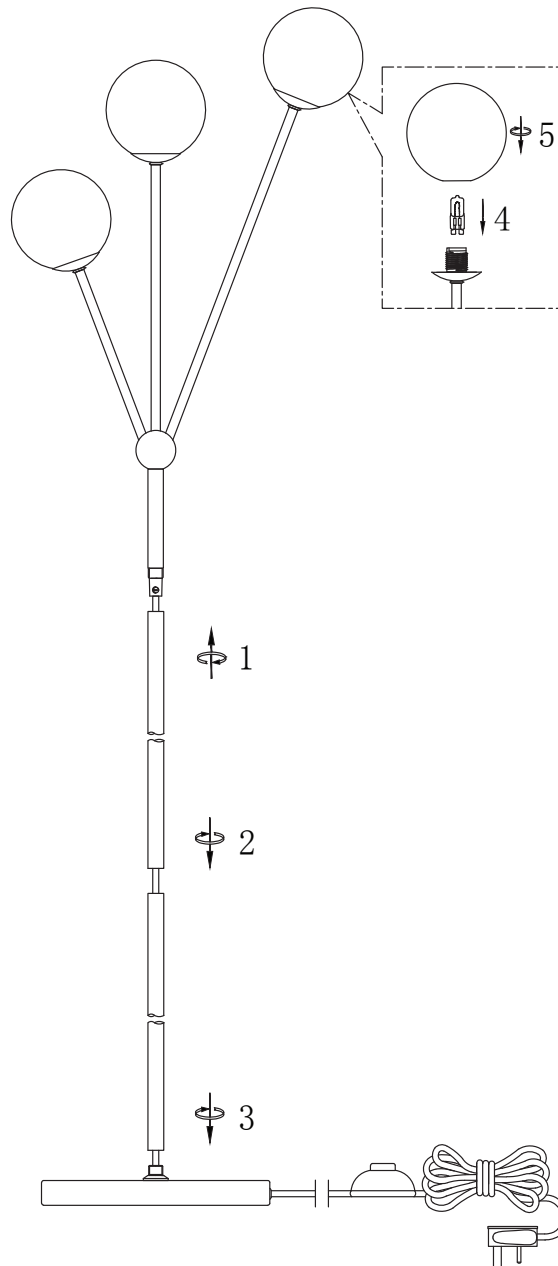
## **INSTRUCTION MANUAL**

**IMPORTANT:** Please read these instructions before using the product. Retain instructions for future use.  
HHGL Limited, MK9 1BA; HHGL (ROI) Limited, D02 X576

## ASSEMBLY

Take care not to trap any wiring when screwing sections together.

- Step 1** Screw the middle stem onto the upper stem/lamp holder assembly.
- Step 2** Screw the middle stem onto the lower stem.
- Step 3** Screw the assembled stem onto the base.
- Step 4** Insert a light bulb into each lamp holder.  
Requires 3 x 3W max. LED G9 capsule bulbs (bulbs not included)
- Step 5** Carefully screw the shades onto each lamp holder.



Selecting the correct bulb:

Maximum wattage – 3 Watts LED.  
Bulb shape – capsule.  
Bulb cap shape – G9.

Do not exceed the maximum wattage or use a different shape of bulb. This may cause your light fitting to overheat.

## GENERAL INFORMATION

Clean only with a soft, dry cloth. Do not use polishes or abrasive cloths.  
Not suitable for use in bathrooms.

Diagram shown for illustration purposes only - product may differ slightly from the one shown above

