

HouseBeautiful

WITH **HOMEBASE**

Delta 2 Light Floor Lamp

Requires 2 x 3W max. LED G9 capsule bulbs (bulbs not included)



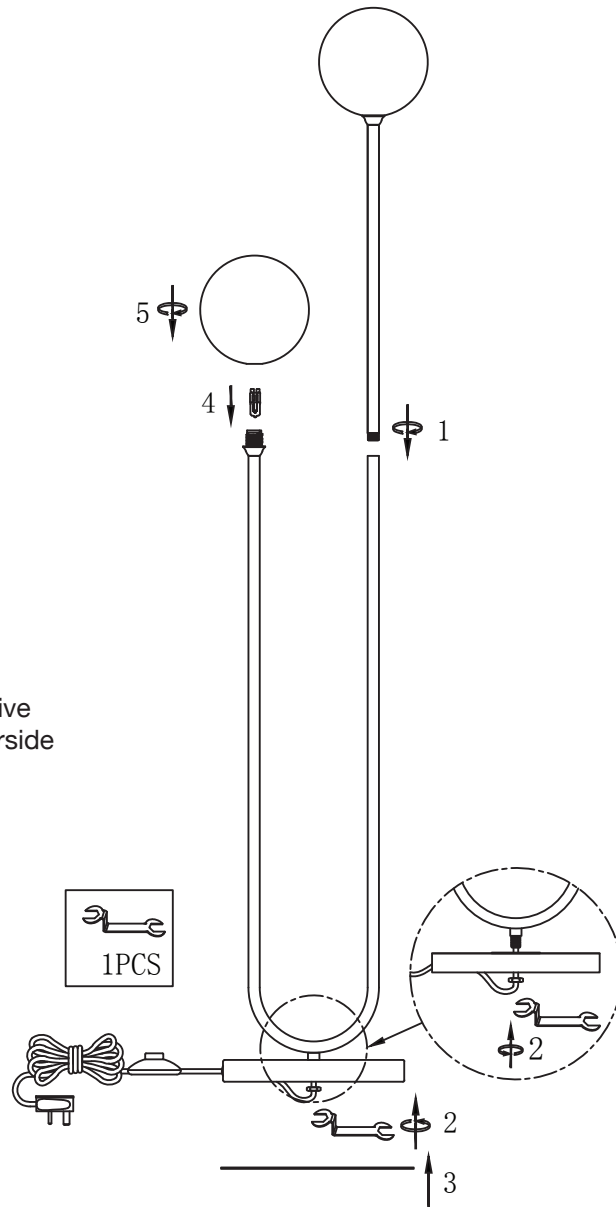
INSTRUCTION MANUAL

IMPORTANT: Please read these instructions before using the product. Retain instructions for future use.
HHGL Limited, MK9 1BA; HHGL (ROI) Limited, D02 X576

ASSEMBLY

Take care not to trap any wiring when screwing sections together.

- Step 1** Screw the upper stem onto the main body assembly.
- Step 2** Insert the assembled stem into the base and secure by tightening the locking nut.
- Step 3** Pull the excess cable through the base and apply the adhesive-backed base felt to the underside of the base.
- Step 4** Insert light bulb into each lampholder. Requires 2 x 3W Max LED G9 Capsule Bulbs (bulbs not included)
- Step 5** Carefully screw the shades onto each lampholder.



Selecting the correct bulb:

Maximum wattage – 3 Watts LED
Bulb shape – Capsule
Bulb cap shape – G9

Do not exceed the maximum wattage or use a different shape of bulb. This may cause your light fitting to overheat.

GENERAL INFORMATION

Clean only with a soft, dry cloth. Do not use polishes or abrasive cloths.
Not suitable for use in bathrooms

Diagram shown for illustration purposes only - product may differ slightly from the one shown above.

