

HOMEBASE

ORB II 7 LIGHT DINER PENDANT

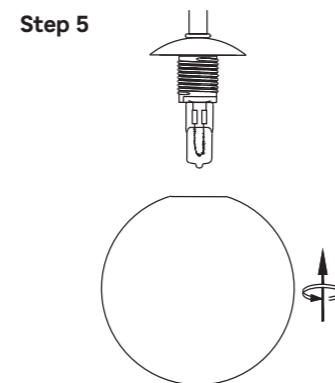
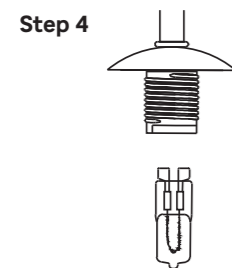
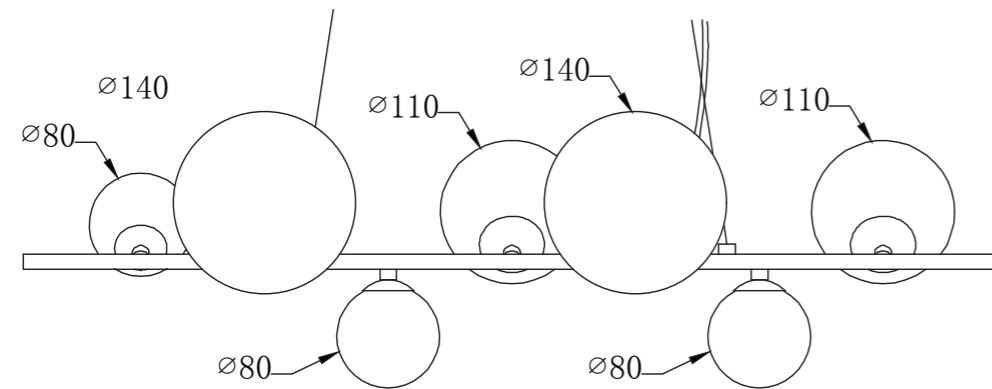
Requires 7 x 3W max. LED G9 capsule bulbs
(bulbs not included)



INSTRUCTION MANUAL

IMPORTANT: Please read these instructions before using the product. Retain instructions for future use.
HHGL Limited, MK9 1BA; HHGL (ROI) Limited, D02 X576

Step 5 Carefully screw the glass shades onto the lamp holders. Take care not to over tighten.



SWITCH ON!

You may now switch the electricity back on at the mains.

CLEANING CARE

The fitting should be cleaned with a soft, dry cloth only. Do not use polishes or abrasive cloths.

SAFETY INFORMATION

For your safety, please remember the following:

Always switch off the supply before removing shades/covers, changing light bulbs or cleaning.

Diagram shown for illustration purposes only - product may differ slightly from the one shown above



This product should be disposed of responsibly at the end of its life. Please recycle where facilities exist. Check with your local authority or retailer for recycling advice. (Waste Electrical and Electronic Equipment Directive)



GENERAL INFORMATION

Thank you for selecting this product. It has been thoughtfully designed and carefully manufactured to ensure a high level of reliability and performance.

We strongly recommend that ceiling lights are installed by a qualified electrician. If, however, you decide to carry out your own installation, please read through these instructions carefully before commencing work, and retain them for future reference.

Please note: The important safeguards and instructions appearing in this leaflet are not meant to cover all possible conditions and situations that may occur. It must be understood that common sense, caution and care are factors which cannot be built into any product and must be supplied by the person installing and caring for the fitting.

Do not mount ceiling/wall fittings onto damp surfaces, such as newly painted or plastered areas, as this may cause discolouration of the finish.

CHANGES TO BUILDING REGULATIONS

As of 1st January 2005, changes to the Building Regulations affect domestic electrical installations in England and Wales. You don't need to be a qualified electrician to make changes to your home's electrical system, but the work must be done in accordance with the standards in the Regulations.

You do not need to notify your Local Authority if you do minor electrical work such as:

- replacing or repairing a socket, light or cable in any room.
- adding extra spurs, sockets or lights to an existing circuit (except in a kitchen, bathroom or outdoors).

However, the work must be done to the standards in the Wiring Regulations and you should consider having the work checked by a competent electrician to make sure it is safe.

Before you start other electrical work such as:

- adding new circuits to your existing installation.
- any work (other than repairs/replacements) in a room where there is water (eg. kitchen, bathroom, etc.).
- any work (other than repairs/replacements) outdoors (eg. installing garden lighting or sockets, etc.).

You must notify your Local Authority Building Control Department, which has responsibility for ensuring the work is inspected and tested.

Where you have any work done by an electrician who is a member of a competent person self-certification scheme, the electrician will be able to certify that the work complies with the Regulations and you do not need to notify your Local Authority.

We recommend that you make yourself aware of the Regulations before you undertake any work; if you require any clarification, you should contact your Local Authority Building Control Department.

IMPORTANT SAFETY INFORMATION

All ceiling fittings should be connected via a 5 amp fused circuit and must be installed in accordance with current applicable building and electrical installation regulations.


Before installation and servicing, disconnect the electrical supply at the mains.

Carefully observe all instructions or warnings that are labelled on, or supplied with, your product.

Unless otherwise stated, products are suitable for normal indoor use only and should not be used where water or high humidity may affect them. If in any doubt, consult a qualified electrician.

FIXING INSTRUCTIONS

This fitting must be connected to the supply earth. If your lighting circuit does not have an earth, ask a qualified electrician to provide an earth facility. Make sure that there is a joist or other solid mounting at the point of fixing. This is necessary to take the weight of the fitting.

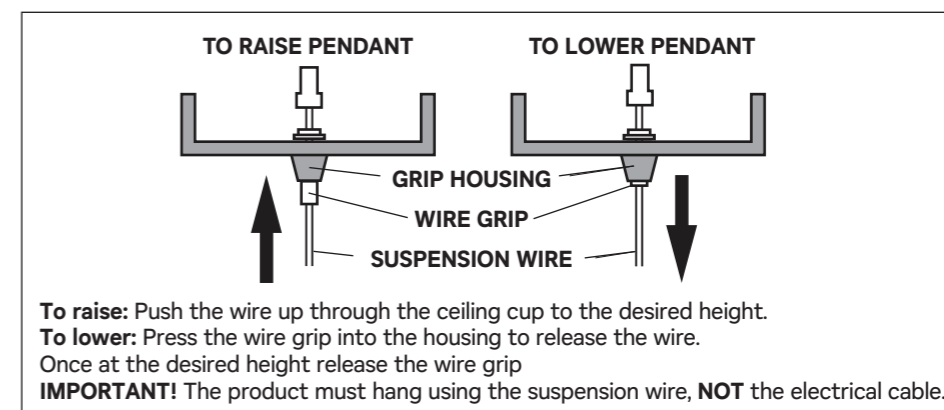
For earthed items (Class 1): These are marked with the symbol 

ASSEMBLY

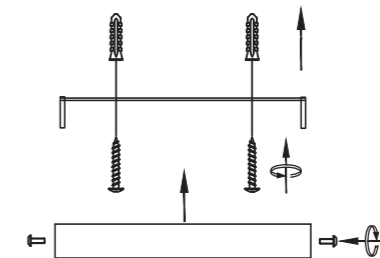
It is possible to adjust the drop of this fitting by following the diagrams below.

Re-adjust the suspension cable to the desired height.

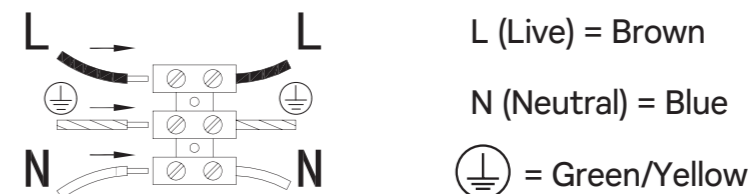
Make sure the fitting is hung using the suspension wire.



Step 1 Taking care not to damage any house wiring, detach the mounting strap from the fitting and affix to the ceiling using the screws supplied. These screws should penetrate the joist by at least 2cm.



Step 2 Using the connector block supplied, connect the wires as shown on the diagram below. Check that you have correctly identified the house wires, that all connections are tight and that no loose strands have been left out of the connection blocks.



Step 3 Offer the ceiling cup up to the mounting strap and secure in place using the screws/washers.

Step 4 Identify the correct maximum wattage and type of bulb by referring to the product labelling. This product requires 7 x 3W max. G9 LED bulbs (bulbs not included).

Caution: Only use a bulb of the same type designation and shape, and of the same or lower Wattage. Allow the lamp to cool for at least 10 minutes before replacing spent bulbs.