

Dimplex



Dakota



Kansas



Copenhagen



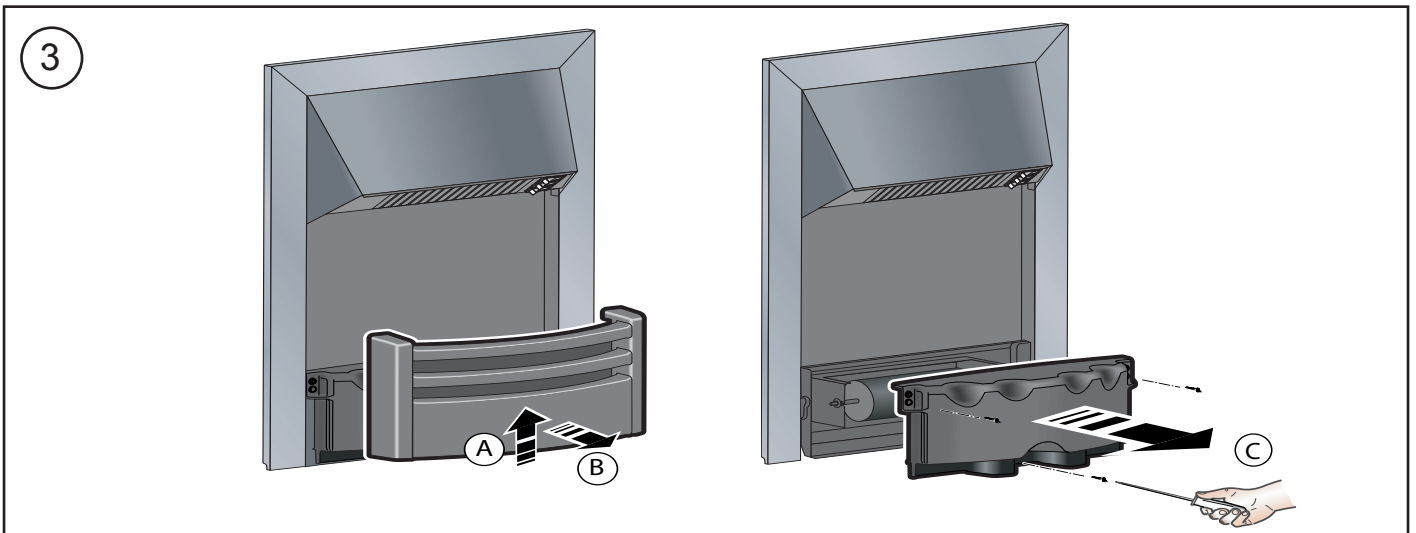
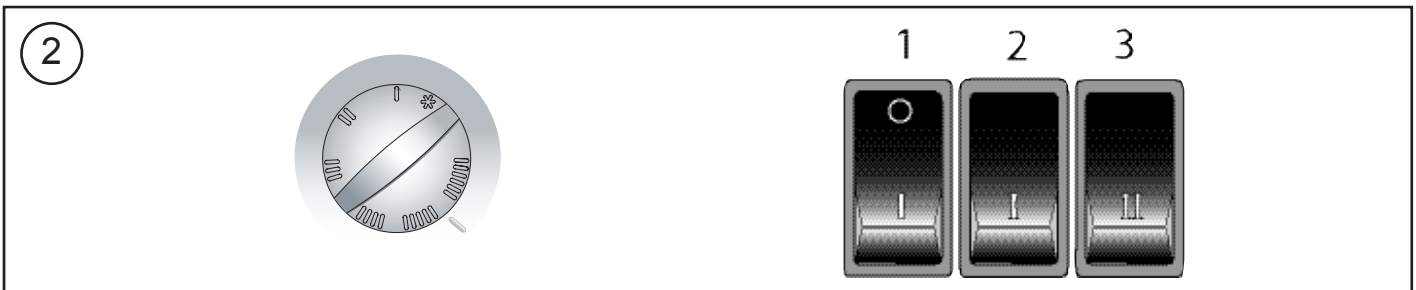
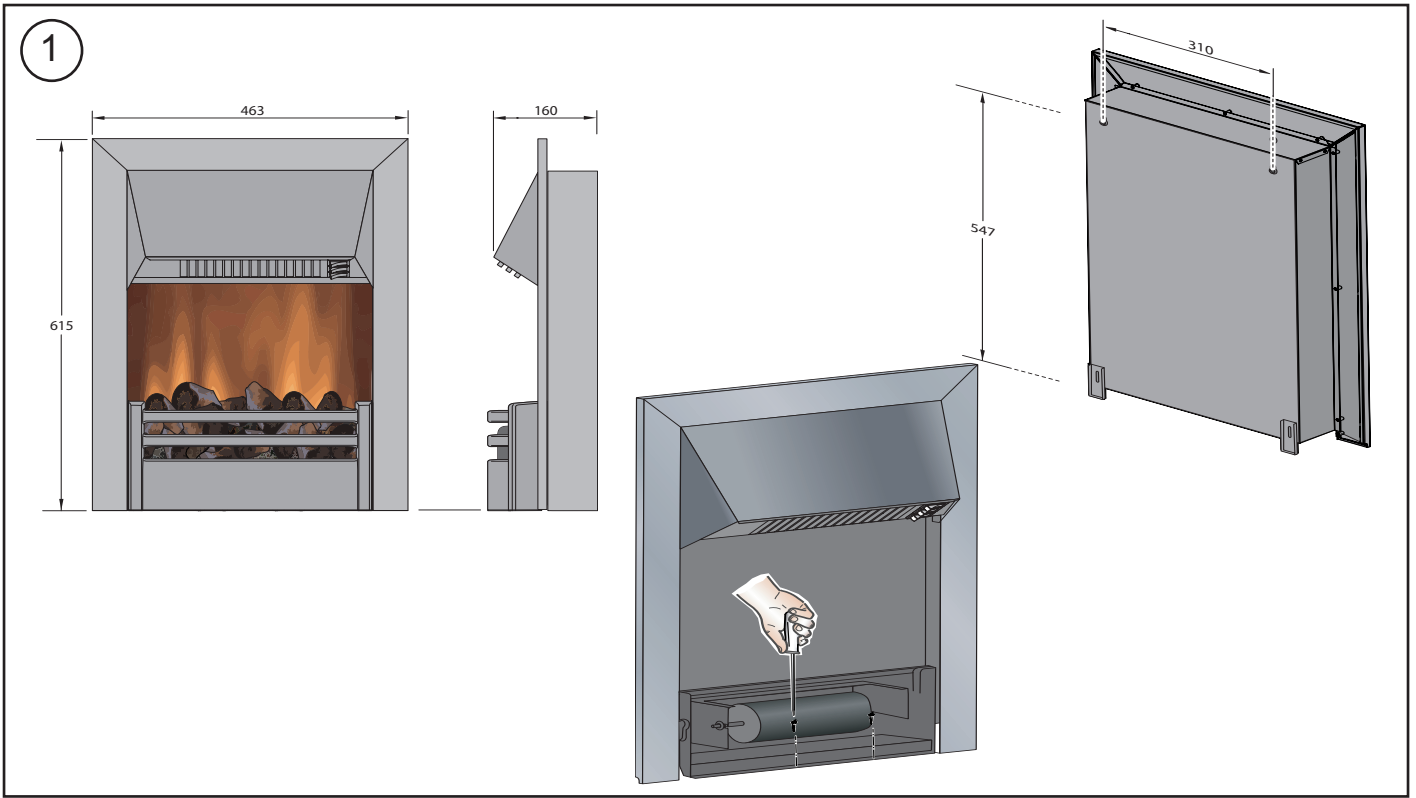
Inver

UK

EN : This product is only suitable for well insulated rooms or occasional use. DE : Dieses Produkt ist nur für gut isolierte Bereiche oder gelegentliche Verwendung geeignet. FR : Ce produit convient uniquement à des endroits bien isolés ou pour un usage occasionnel. IT : Questo prodotto è adatto solo per spazi ben isolati o per uso occasionale. ES : Este producto sólo es adecuado para espacios bien aislados o un uso ocasional. NL : Dit product is uitsluitend geschikt voor goed geïsoleerde ruimten of voor sporadisch gebruik. PL : Produkt ten jest odpowiedni wyłącznie do dobrze odizolowanych miejsc lub do okazjonalnego użytku. NO : Dette produktet egner seg kun for godt isolerte rom eller sporadisk bruk. RO : Acest produs este adecvat exclusiv spațiilor bine ventilate sau utilizării ocazionale. CZ : Tento výrobek je vhodný pouze do dobře izolovaných prostor nebo k příležitostnému použití. DK : Dette produkt er kun egnet til velisolerede rum eller lejlighedsvis brug. PT : Este produto somente é adequado para espaços bem isolados ou uso ocasional. SE : Denna produkt är endast avsedd för välisolerade utrymmen eller tillfällig användning. FI : Tämä tuote soveltuu ainoastaan hyvin eristettyihin tiloihin tai satunnaiseen käyttöön. SK : Tento výrobok je vhodný len pre dobre izolované priestory alebo na občasné použitie. SI : Ta izdelek je primeren le za dobro izolirane prostore ali za občasno uporabo. HR : Ovaj proizvod je pogodan samo za dobro izolirane prostore ili povremenu upotrebu. HU : Ez a termék csak jól szigetelt terekhez vagy eseti használatra alkalmas.

08/51197/0 Issue 4


OCN



IMPORTANT: THESE INSTRUCTIONS SHOULD BE READ CAREFULLY AND RETAINED FOR FUTURE REFERENCE

Important Safety Advice

When using electrical appliances, basic precautions should always be followed to reduce the risk of fire, electrical shock and injury to persons, including the following:
 If the appliance is damaged, check with the supplier before installation and operation.
 Do not use outdoors.
 Do not use in the immediate surroundings of a bath, shower or swimming pool.
 Do not locate the appliance immediately below a fixed socket outlet or connection box.
 The appliance carries the Warning symbol **DO NOT COVER**, indicating that it must not be covered.
 This appliance can be used by children aged from 8 years and above and persons with reduced physical, sensory or mental capabilities or lack of experience and knowledge if they have been given supervision or instruction concerning use of the appliance in a safe way and understand the hazards involved. Children shall not play with the appliance. Cleaning and user maintenance shall not be made by Children without supervision.
 Children of less than 3 years should be kept away unless continuously supervised. Children aged from 3 years and less than 8 years shall only switch on/off the appliance provided that it has been placed or installed in its intended normal operating position and they have been given supervision or instruction concerning use of the appliance in a safe way and understanding the hazards involved. Children aged from 3 years and less than 8 years shall not plug in, regulate and clean the appliance or perform user maintenance.
 Do not use this appliance in series with a thermal control, a program controller, a timer or any other device that switches on the heat automatically, since a fire risk exists when the appliance is accidentally covered or displaced.
 Ensure that furniture, curtains or other combustible material are positioned no closer than 1 metre from the appliance.
 In the event of a fault unplug the appliance. Unplug the appliance when not required for long periods.
 Although this appliance complies with safety standards, we do not recommend its use on deep pile carpets or on long hair type of rugs.
 The appliance must be positioned so that the plug is accessible.

If the supply cord is damaged it must be replaced by the manufacturer or service agent or a similarly qualified person in order to avoid a hazard.
 Keep the supply cord away from the front of the appliance.
 Warning: In order to avoid a hazard due to inadvertent resetting of the thermal cut-out, this appliance must not be supplied through an external switching device, such as a timer, or connected to a circuit that is regularly switched on and off by the utility.
CAUTION - Some parts of this product can become very hot and cause burns. Particular attention has to be given where children and vulnerable people are present.
 The heater carries the Warning symbol,  indicating that it must not be covered.
 This instruction can be found at **WWW.DIMPLEX.CO.UK**

Technical Information

Model No: DKT20, DKT20BL, KNS20, KNS20BL, INV20, COP20

Heat Output		230V		240V	
Nominal Heat Output	P_{Nom}	1.7	-	1.9	kW
Minimum Heat Output	P_{min}	0.9	-	1.0	kW
Maximum Continuous Heat Output	$P_{max,c}$	1.7	-	1.9	kW

Auxiliary Electricity Consumption

In Standby mode	eI_{SB}	0.02	-	0.02	W
-----------------	-----------	------	---	------	---

With mechanic thermostat room temperature control.

General

Unpack the heater carefully and retain the packaging for possible future use, in the event of moving or returning the fire to your supplier. Loose coals/pebbles are packed separately within the carton. When the heater is assembled the coals/pebbles are placed on top of the fuel bed
 The fire incorporates a flame effect, which can be used with or without heating, so that the comforting effect may be enjoyed at any time of the year. Using the flame effect on its own only requires little electricity.

Before connecting the heater check that the supply voltage is the same as that stated on the heater.

Please note: Used in an environment where background noise is very low, it may be possible to hear a sound which is related to the operation of the flame effect. This is normal and should not be a cause for concern.

Electrical connection

WARNING – THIS APPLIANCE MUST BE EARTHED

This heater must be used on an AC ~ supply only and the voltage marked on the heater must correspond to the supply voltage.
 Before switching on, please read the safety warnings and operating instructions.
 In the event of replacing the fuse in the plug supplied, a 13 amp fuse approved by ASTA to BS1362 must be used.

Installation - see Fig. 1 & 3.

Your electric fire is designed to be used in a fireplace opening or placed against a wall anywhere in the room.

When installing this appliance in an existing fireplace opening, we recommend that an open chimney or flue is blocked off. We recommend that non-flammable materials are used to block off the chimney flue. This procedure is important for the efficient operation of the heating unit and will also reduce heat loss up the chimney.

At the rear of the fire, two adjustable feet are provided for levelling the fire where the fire is being installed on an uneven surface. You can adjust the foot by removing the two screws and refitting the foot in the required position.

The fire is supplied with screws and rawl plugs to provide extra stability to prevent it from accidentally being knocked over. The rawl plug supplied is suitable for use in block walls (other wall types may need alternative rawl plugs).

To place the appliance flush to a wall please follow these instructions: Drill holes using a 6mm drill as illustrated in Fig. 1. Insert plugs and screws. The plug supplied is suitable for use in block walls (special fasteners are required on stud walls). Do not fully tighten screws, leave the head of the screw at least 10mm away from the surface. Place the keyhole slots on the fire over the screws and lower into position.

To gain access to the fixing holes in the base, remove the fret and fuel effect from the fire. Remove the fret by lifting it up and then pulling it out from the fire, remove the 3 screws holding the fuel bed in place and slide it away from the fire. (See Fig. 3, shown Kansas Fret). Using the screws provide screw the fire in place as shown in Fig. 1. Carefully refit the fret and fuel effect in reverse of the removal procedure as described above. The other models fret removes in the same manner as the Kansas fret.

Manual Controls - see Fig. 2

Three switches provide a choice of heat setting. Each switch is activated when the bottom half of the switch is pushed in.

Switch 1 Controls the electricity supply to the heater.

Note: This switch must be in the ON position for the heater to operate with or without heat.

Switch 2 Provides 950 W heat output.

Switch 3 Provides 1900 W output when used in conjunction with switch 2

Thermostat

In order to maintain a certain room temperature, set the thermostat knob to 'max.'. Operate the appliance at full power until the required room temperature is reached. Turn back the thermostat knob until the appliance switches off. This temperature will be kept almost constant by the thermostat switching on and off automatically. Please note that the appliance will only operate when the thermostat setting is higher than the room temperature.

Thermal Safety Cut-out

A thermal safety cut-out is incorporated in the heater to prevent damage due to overheating. This can happen if the heat outlet was restricted in any way. The heater will switch on once the obstruction has been removed and the heater has cooled. If the cut-out continues to operate intermittently, the heater should be switched off and a service agent contacted.

Maintenance

WARNING: ALWAYS DISCONNECT FROM THE POWER SUPPLY BEFORE ATTEMPTING ANY MAINTENANCE.

Light Emitting Diode

This fire is fitted with LED (Light Emitting Diode) lamps in place of conventional bulbs. These generate the same light levels as conventional bulbs, but use a fraction of the energy consumed. These LED lamps are maintenance – free and should not require replacing during the life of the product.

Cleaning

WARNING – ALWAYS DISCONNECT FROM THE POWER SUPPLY BEFORE CLEANING THE HEATER.

For general cleaning use a soft clean duster – never use abrasive cleaners. The glass viewing screen should be cleaned carefully with a soft cloth. DO NOT use proprietary glass cleaners.

To remove any accumulation of dust or fluff the soft brush attachment of a vacuum cleaner should occasionally be used to clean the outlet grille of the fan heater.

Recycling

For electrical products sold within the European Community.

At the end of the electrical products useful life it should not be disposed of with household waste. Please recycle where facilities exist. Check with your Local Authority or retailer for recycling advice in your country.



After Sales Service

Your product is guaranteed for one year from the date of purchase. Within this period, we undertake to repair or exchange this product free of charge (excluding lamps & subject to availability) provided it has been installed and operated in accordance with these instructions.

Your rights under this guarantee are additional to your statutory rights, which in turn are not affected by this guarantee.

Should you require after sales information or assistance with this product please go to www.dimplex.co.uk where you will find our self help guide by clicking on "After Sales" or ring our helpdesk on 0844 879 3588 (UK) or 01 842 4833 (R.O.I.) .

Spare parts are also available on the website

www.dimplex.co.uk

Please retain your receipt as proof of purchase.