



HOMEBASE

PEARL EASY FIT

INSTRUCTION MANUAL

IMPORTANT: Please read these instructions before using the product and retain for future use.

HHGL Limited, MK9 1BA
HHGL (ROI) Limited, D02 X576

SAFETY AND CARE ADVICE

- For your safety, this product must be installed in accordance with local building regulations. If in any doubt, or where required by law, consult a competent person who is registered with an electrical self-certification scheme. Further information is available online or from your local authority.
- This product has been designed for non-professional, domestic use only.
- Dispose of all packaging correctly and responsibly and in accordance with all local laws and regulations. Never leave packaging components within reach of children, as they can be a source of danger.
- Before inserting or replacing a bulb, ensure the power is switched off and the bulb has cooled down.
- Do not modify or alter any product before or after installation. This may render the product unsafe.
- Always shut off the power to the circuit before starting installation.

WARNINGS

- This product is not intended for use by persons (including children) with reduced physical, sensory and mental capabilities, or lack of experience and knowledge, unless they have been given supervision or instruction concerning the use of the product by persons responsible for their safety.
- Children should be supervised to ensure that they do not play with the product.
- Do not place this fitting in a damp atmosphere.

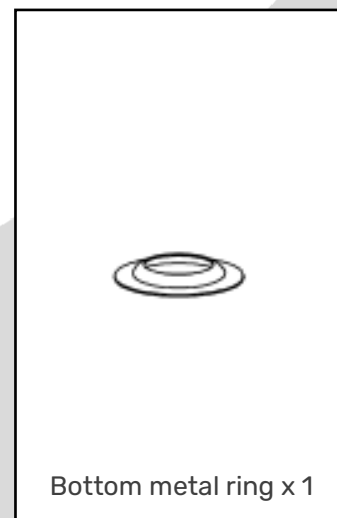
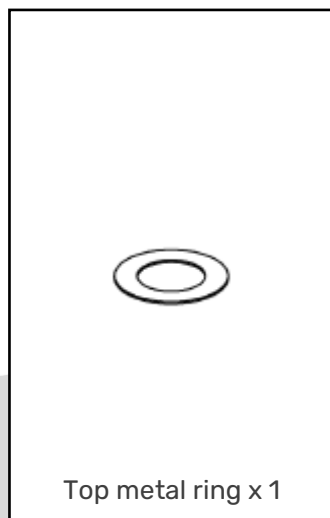
CARE AND MAINTENANCE

- Always disconnect the power supply when servicing or cleaning.
- Use a clean, soft, dry or slightly damp cloth for cleaning this product.
- Do not use abrasive cloths or polishes, as this may cause damage to the product.

CHANGING BULBS

- Ensure the power the power supply has been disconnected.
- Ensure that the bulb has cooled down before replacing.
- We recommend LED bulbs only.
- This product requires a LED bulb suitable for the house hold lamp holder 10W max.

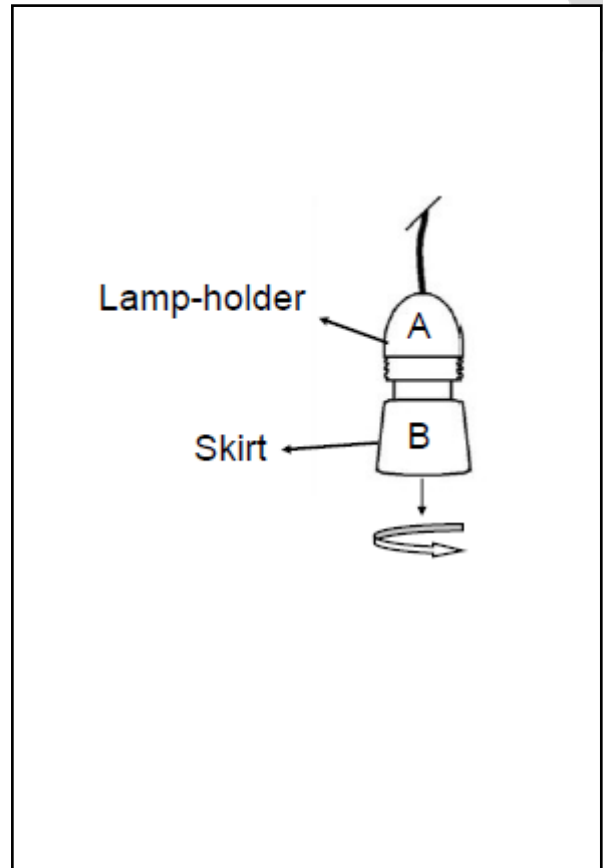
PARTS LIST



ASSEMBLY

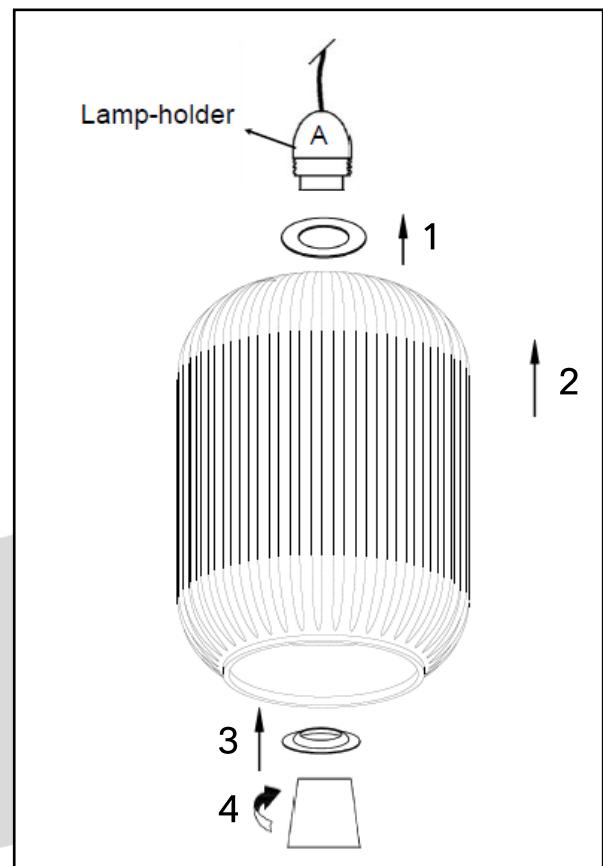
Step 1

Remove the skirt/shade ring from the lamp holder



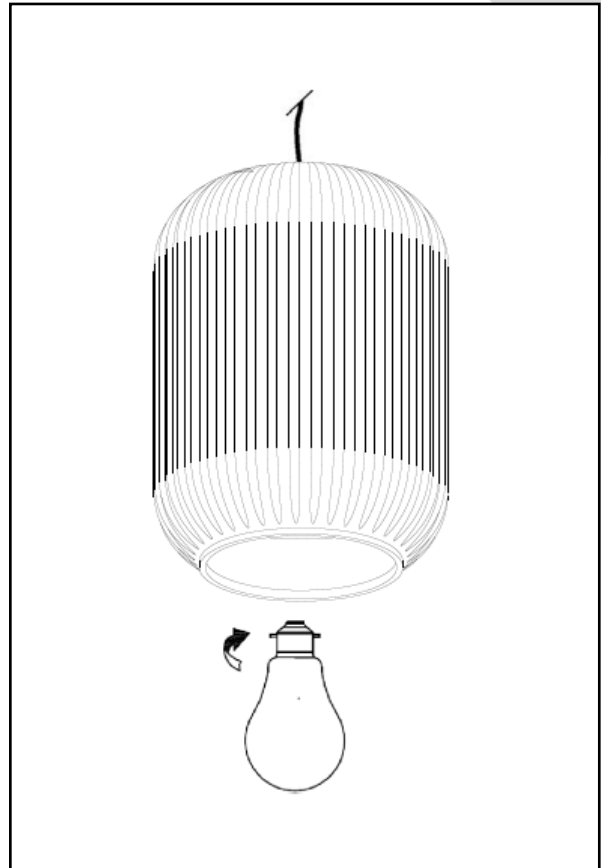
Step 2

1. Place the top metal ring onto the lamp holder.
2. Place the glass shade onto the lamp holder.
3. Place the bottom metal ring onto the lamp holder
4. Re-screw the skirt/shade ring onto the lamp holder to secure the glass shade in place.



Step 3

Screw the bulb (not supplied) into the lamp holder, making sure you don't exceed the maximum wattage stated on the product.



IMPORTANT NOTE

The metal reducer rings are required for use with normal B22/E14 lamp holders if required, this shade can be fitted to a larger E27 lamp holder. The metal reducer rings are not required to be used.

