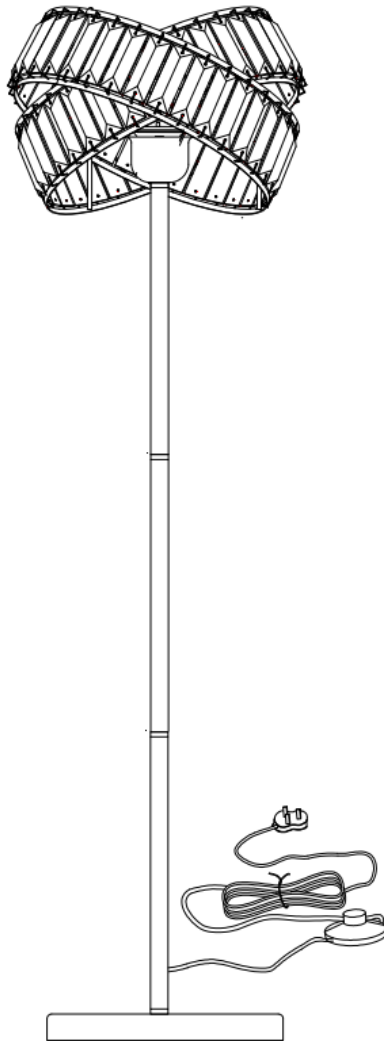


HOMEBASE

DITA FLOOR LAMP

H150 x Dia. 32cm



INSTRUCTION MANUAL

IMPORTANT: Please read these instructions before using the product and retain for future use.

HHGL Limited, MK9 1BA; HHGL (ROI) Limited, D02 X576

SAFETY AND CARE ADVICE

- For your safety, this product must be installed in accordance with local building regulations. If in any doubt, or where required by law, consult a competent person who is registered with an electrical self-certification scheme. Further information is available online or from your local authority.
- This product has been designed for non-professional, domestic use only.
- Dispose of all packaging correctly and responsibly and in accordance with all local laws and regulations. Never leave packaging components within reach of children, as they can be a source of danger.
- Before inserting or replacing a bulb, ensure the power is switched off and the bulb has cooled down.
- Do not modify or alter any product before or after installation. This may render the product un-safe.
- This is a Class 2 product and does not require an earth connection.
- Always shut off the power to the circuit before starting installation.

WARNINGS

- This product is not intended for use by persons (including children) with reduced physical, sensory and mental capabilities, or lack of experience and knowledge, unless they have been given supervision or instruction concerning the use of the product by persons responsible for their safety.
- Children should be supervised to ensure that they do not play with the product.
- Do not place this fitting in a damp atmosphere.

CARE AND MAINTENANCE

- Always disconnect the power supply when servicing or cleaning.
- Use a clean, soft, dry or slightly damp cloth for cleaning this product.
- Do not use abrasive cloths or polishes, as this may cause damage to the product.

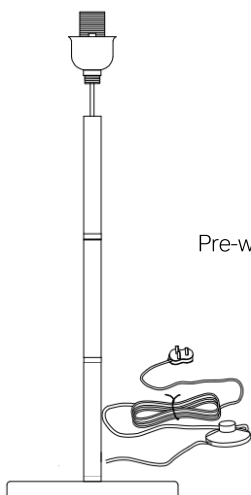
CHANGING BULBS

- Ensure that the power supply has been disconnected.
- Ensure that the bulb has cooled down before replacing.

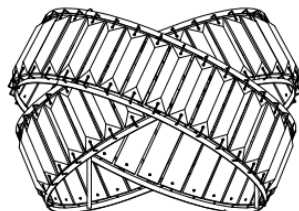
IMPORTANT!

- If the external flexible cable or cord of this luminaire is damaged, it should be exclusively replaced by the manufacturer or his service agent, or a similar qualified person.

PARTS LIST



Pre-wired fitting x 1



Shade x 1

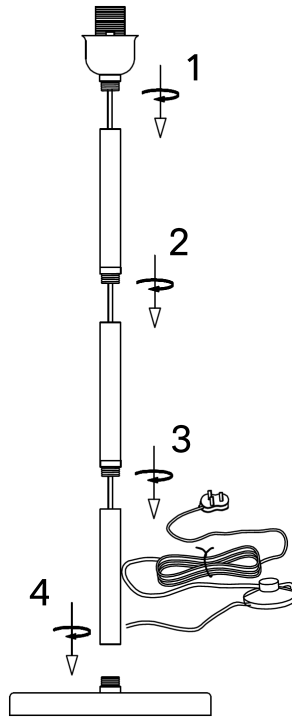


Shade ring x 1

ASSEMBLY

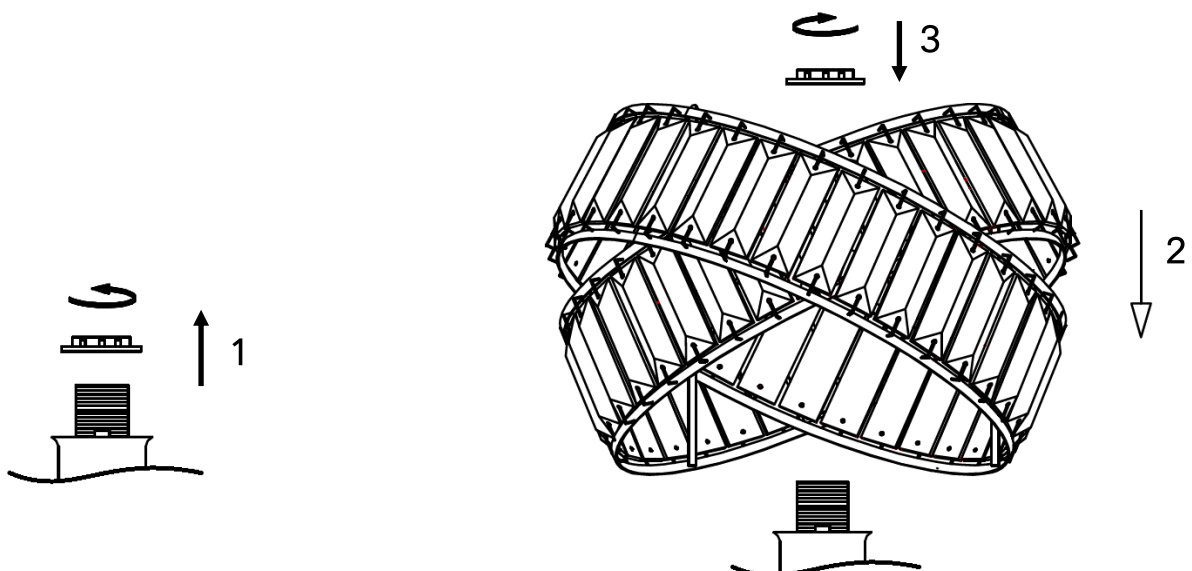
Step 1

1. Screw the lamp holder section into the top pole.
2. Screw the top pole into the middle pole.
3. Screw the middle pole into the bottom pole.
4. Screw all the assembled poles onto the base, making sure you do not twist the supply cable.



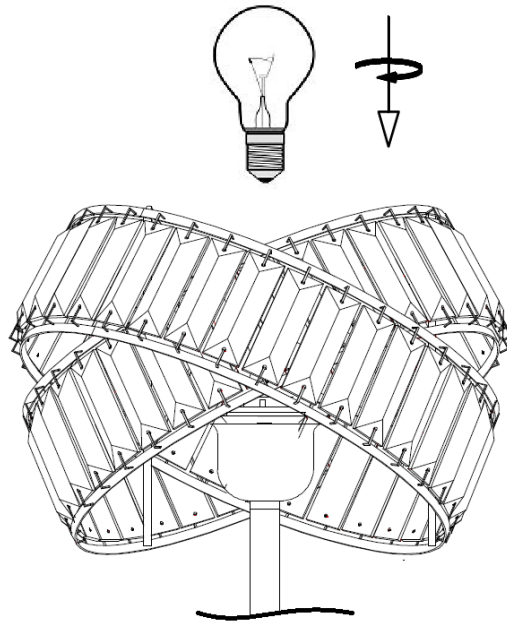
Step 2

1. Un-screw the shade ring from the lamp holder.
2. Place the shade over the lamp holder.
3. Re-screw the shade ring onto the lamp holder to secure the shade in place.



Step 3

Screw the bulb (not supplied) into the lamp holder, making sure you don't exceed the bulb wattage stated on the product.



Step 4

1. Remove the plug cap and insert the plug into a normal household socket.
2. Using the in-line switch, switch on and test the fitting.

