

**CA5070 / CA6080**

# **FITTING INSTRUCTIONS**

**CA5070 / CA6080**

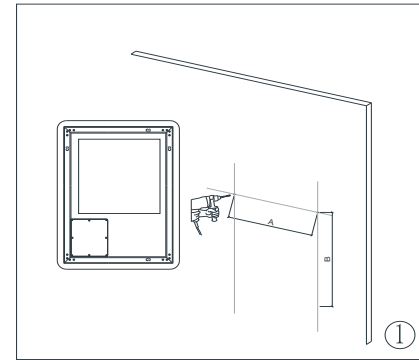
## **WARNING**

To avoid the risk of electrocution,  
please turn off the electricity supply mains  
before commencing the installation.

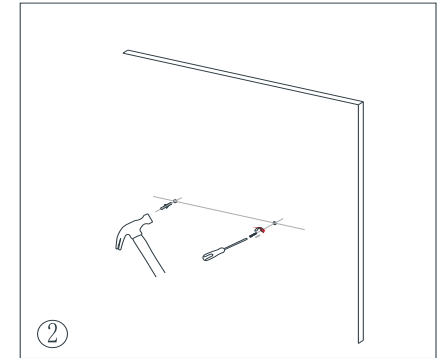
Do not stand the mirror upright on hard surfaces whilst fitting,  
as this will damage the edge.

Keep the plastic corner protectors on until installation  
is fully completed.

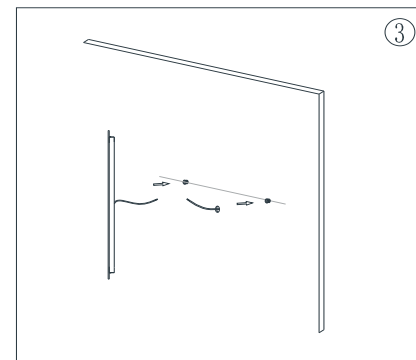
### **Mirror can be mounted portrait or landscape**



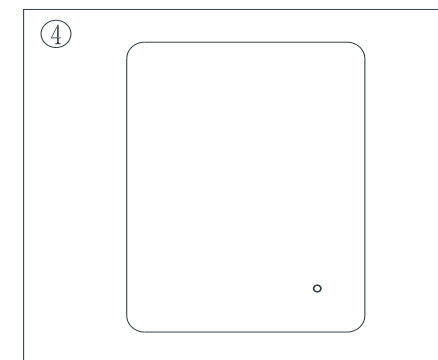
Measure the distance of the mounting  
hole, Drill holes with a suitable sized  
drill.



Insert the wall plug and mounting  
screw into the wall.



Measure the distance of the mounting  
hole, Drill holes with a suitable sized  
drill.



Peel off protective film and clean the  
mirror with damp cloth.

### **After care**

Never use bleach based or window cleaning solution as these may damage the  
backing of the mirror. We recommend a damp cloth to remove splashes.