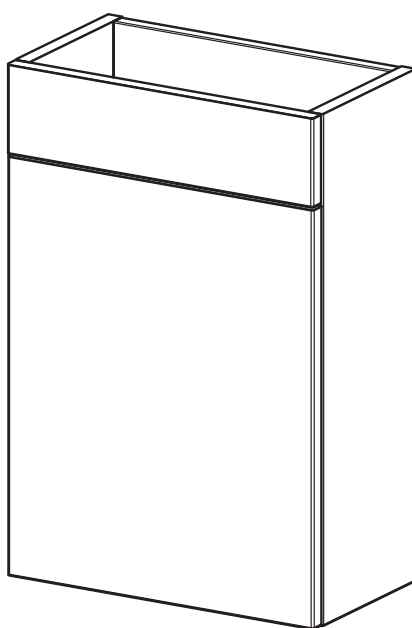


# 400 Wall Hung Cloakroom

Assembly Instructions - Please keep for future reference

609863

609873



## Dimensions

Width - 40cm

Depth - 22cm

Height - 60cm

**Important** - Please read these instructions fully before starting assembly

For all enquiries please contact : 0333 241 2701



# Safety and care advice

## Getting started - Please read these instructions fully before starting assembly

- Check the pack and make sure that you have all parts. If not contact your local store who will be able to help you.
- When you are ready to start, make sure that you have the right tools on hands, plenty of space and a clean dry area for furniture assembly.
- Ensure there are no hidden service pipes and cables where you intended to drill.
- Always ensure that screws locate exactly into pre-drilled pilot holes.
- Take care not to overtighten any of the screws.

### • **Warning:**

**Serious or fatal crushing injuries can occur from furniture tip-over.**

**To prevent this furniture from tipping over it must be permanently fixed to the wall with the included wall attachment devices.**

Fixing devices for the wall are not included since different wall materials require different types of fixing devices. Use fixing devices suitable for the walls in your home.

For advice on suitable fixing systems, contact your local specialized dealer.

## Safety

- For domestic use only.
- Periodic structural checks of this product should be undertaken, do not use if you have any doubts about its fitness for purpose.
- Do not let children play with this product.

## Regular checking

- Check to ensure that all components and fixings of this product are secure, do not use if you have any doubts about its fitness for purpose. Ensure that your bathroom is well ventilated and avoid placing furniture near the bathtub or shower.

## In more detail

- Use a soft dry cloth to clean the surface of the cabinet and the counter top.
- Do not leave any standing water on the cabinet. Remove any water immediately.
- Never use any solvents, scourers, abrasives, bleach, acids, strong detergents, aggressive chemical cleaners or solvent-type cleaning solutions on the product.



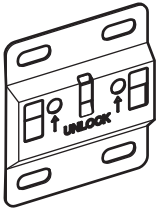
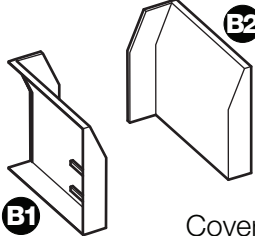


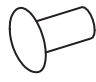

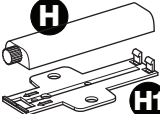
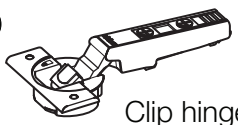
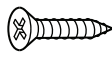

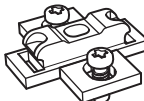

**Recycling – the packaging materials for this product may be recycled through your local recycling centre. When you want to dispose of the product itself, please consider donating it to a local charitable organisation, otherwise recycle it through your local recycling centre.**

**Note:** if required the next page can be cut out and used as reference throughout the assembly. Keep this page with these instructions for future reference.

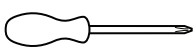
# Fittings

Please check you have all the fittings listed below

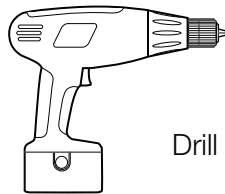
**Note:** The quantities below are the correct amount to complete the assembly. In some cases more fittings may be supplied than are required.

<p><b>A</b></p>  <p>Bracket x 2</p>	<p><b>B1</b></p>  <p><b>B2</b></p>  <p>Cover x 1</p>	<p><b>C</b></p>  <p>Shelf pin x 4</p>	<p><b>D</b></p>  <p>Bump x 2</p>
<p><b>G</b></p>  <p>13mm Screw x 2</p>	<p><b>H</b></p>  <p><b>H1</b></p>  <p>Push latch x 1</p>	<p><b>E</b></p>  <p>15mm Screw x 4</p>	<p><b>F</b></p>  <p>Cover x 4</p>
		<p><b>J</b></p>  <p>Hinge mounting plate x 2</p>	<p><b>K</b></p>  <p>Clip hinge x 2</p>

## Tools required



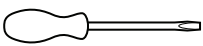
Phillips screwdriver  
(medium & large)



Drill



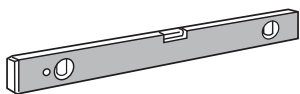
Small  
hammer



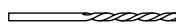
Flatblade screwdriver  
(medium)



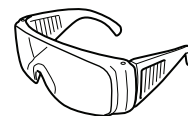
Ruler/tape  
measure



Spirit level



Ø 8mm Suitable drill bit  
(for use with wall plug)



Eye protection  
(when using a  
hammer or glue)

Ruler - Use this ruler to help correctly identify the screws

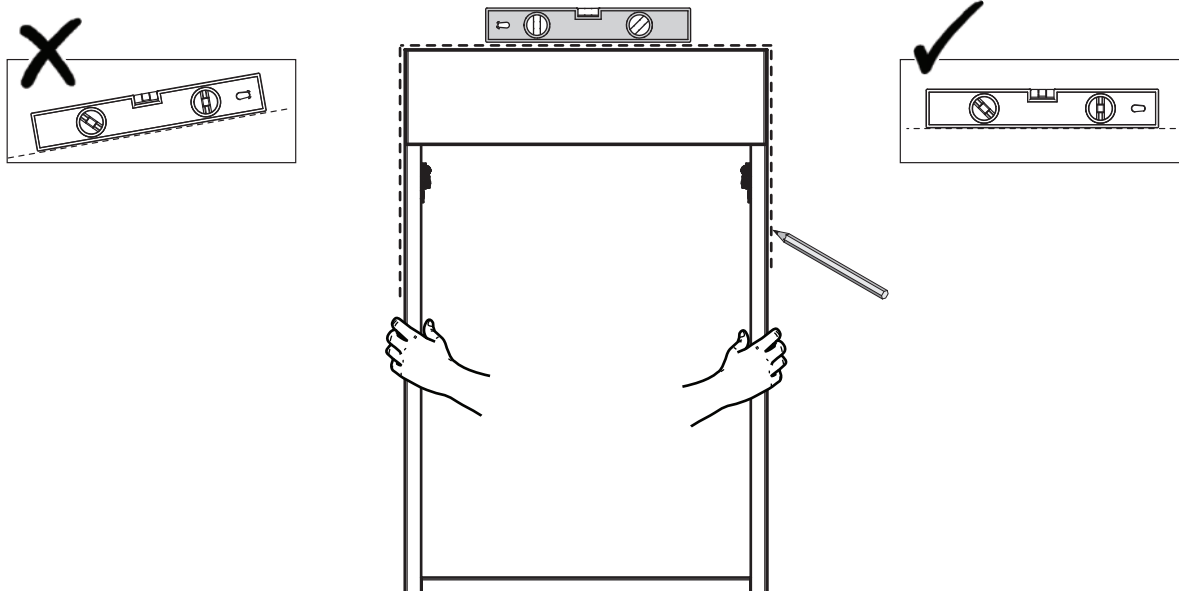
mm

0 5 10 15 20 25 30 35 40 45 50 55 60 65 70 75 80 85 90 95 100 105 110 115 120 125 130 135 140 145 150 155 160 165 170

# Assembly Instructions

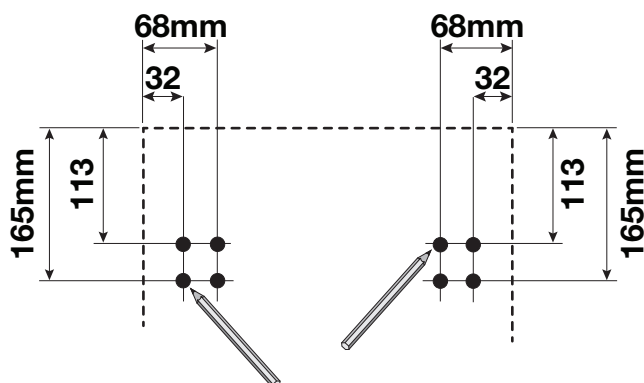
## Step 1

Mark the location of the unit against the wall

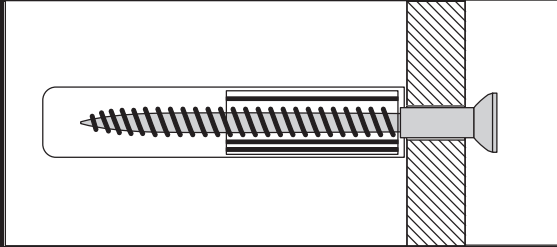


## Step 2

Mark the location of the bracket against the wall




# Wall Mounting & Fixings



### IMPORTANT:

When drilling into walls always check that there are no hidden wires or pipes etc. Make sure that the screws and wall plugs being used are suitable for supporting your unit. Consult a qualified tradesperson if you are unsure.

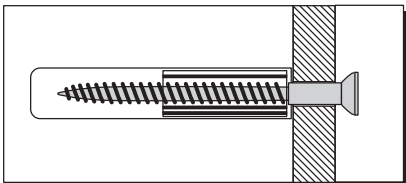
### HINTS:

- 1) General Rule  Always use a larger screw and wall plug if you are not sure.
- 2) Ensure you use the recommended drill bit to match the wall plug and hole size.
- 3) Ensure you drill the hole horizontally, do not force the drill or enlarge the hole.
- 4) Take extra care when drilling high walls, ceilings and ceramic tiles. Ensure the plug is fitting below the ceramic tile to avoid splitting or cracking.
- 5) Ensure wall plugs are well fitted and are a tight fit in the drilled hole.

## Types Of Walls

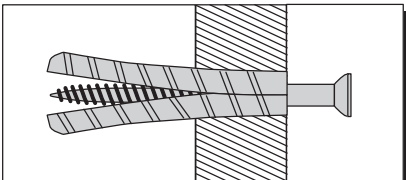
You can use one of the following types of wall plug if your walls are made of brick, breeze block, concrete, stone, wood or plaster board.

### No.1 "Standard" Wall Plug General Wall Materials



These come in various sizes and are made from plastic or sometimes wood fiber.

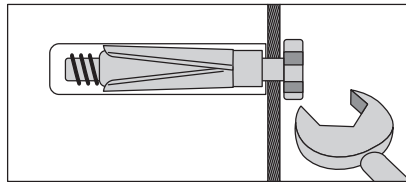
### No.2 "General Purpose" Wall Plug Aerated / Breeze Block



Generally aerated blocks should not be used to support heavy loads, use a specialist fitting in this case.

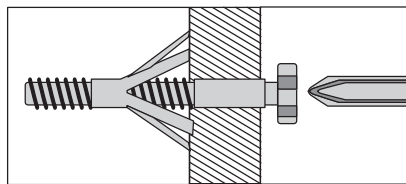
For light loads, a General Purpose Plug can be used.

### No.3 "Shield Anchor" Wall Plug Heavy Loads



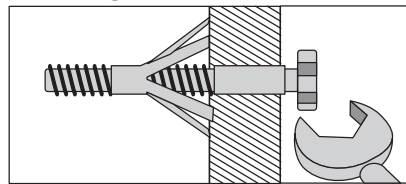
For use with heavier loads such as TV & HiFi Speakers and Satellite Dishes etc.

### No.4 "Cavity Fixing" Wall Plug



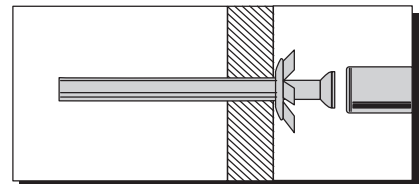
For use with plaster board partitions or hollow wooden doors.

### No.5 "Cavity Fixing - Heavy Duty" Wall Plug



For use when fitting or supporting heavy loads such as shelving, wall cabinets, coat racks.

### No.6 "Hammer Fixing" Wall Plug



For use with walls stuck with plaster board. The hammer fixing allows it to be fixed to the wall rather than the plaster board. Always check the fixing is secure to the retaining wall.

## CARE & MAINTENANCE

### SAFETY

Always check the fitting and location to ensure your safety in and around the home.

### FITTING

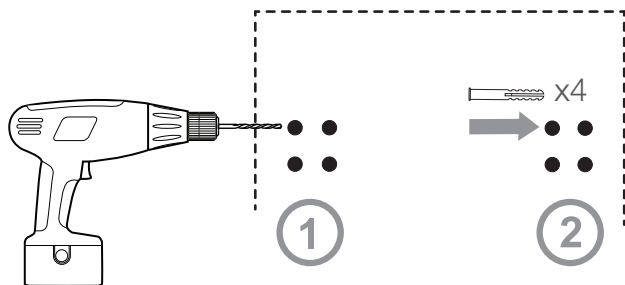
From time to time check the fitting to ensure the wall plugs or screws do not become loose.

# Assembly Instructions

## Step 3

Fix wall anchor into the wall

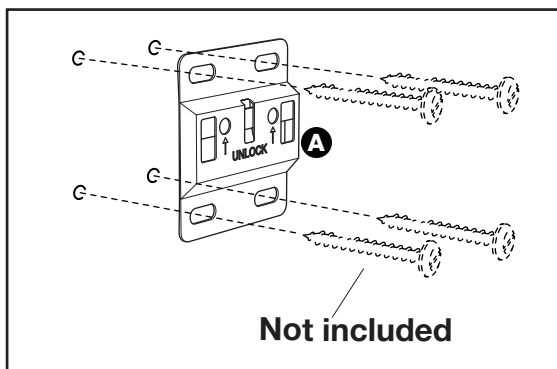
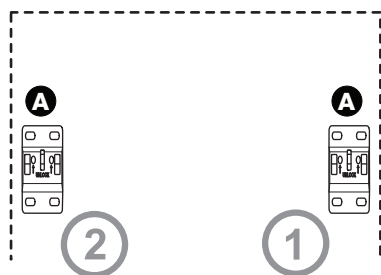
 Ø8 x 8 (not included)



## Step 4

Fix the bracket to the wall

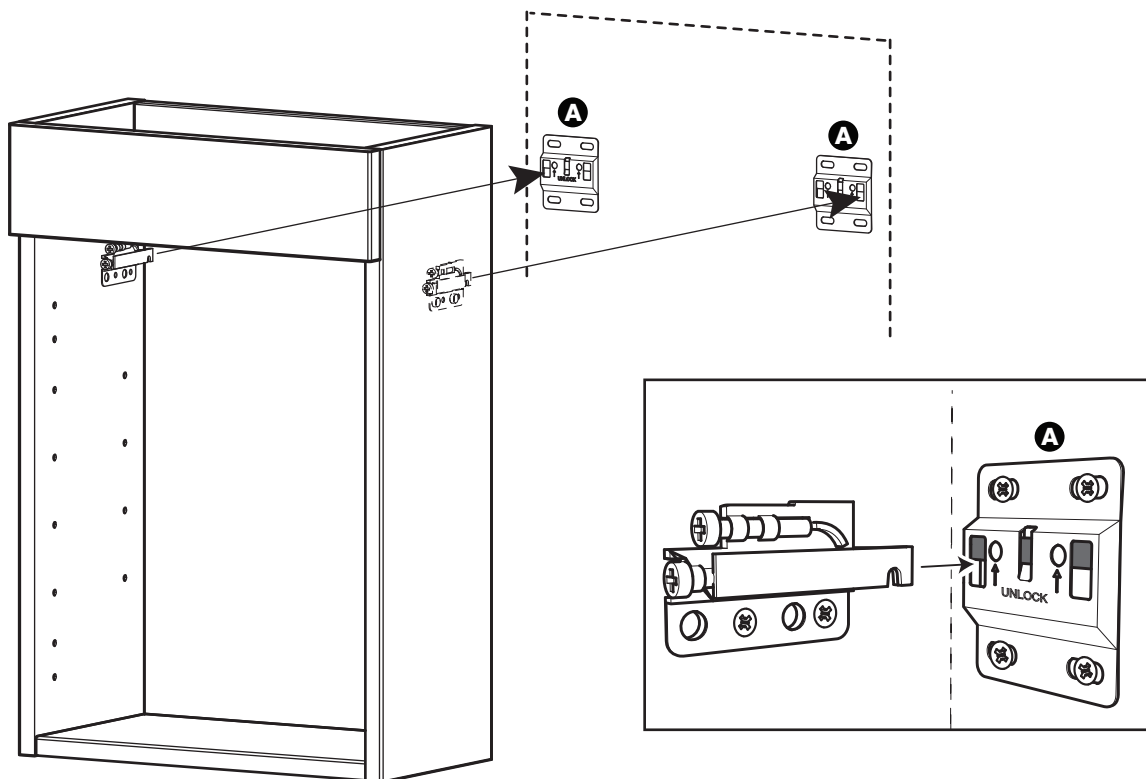
  
x 8 (not included)



# Assembly Instructions

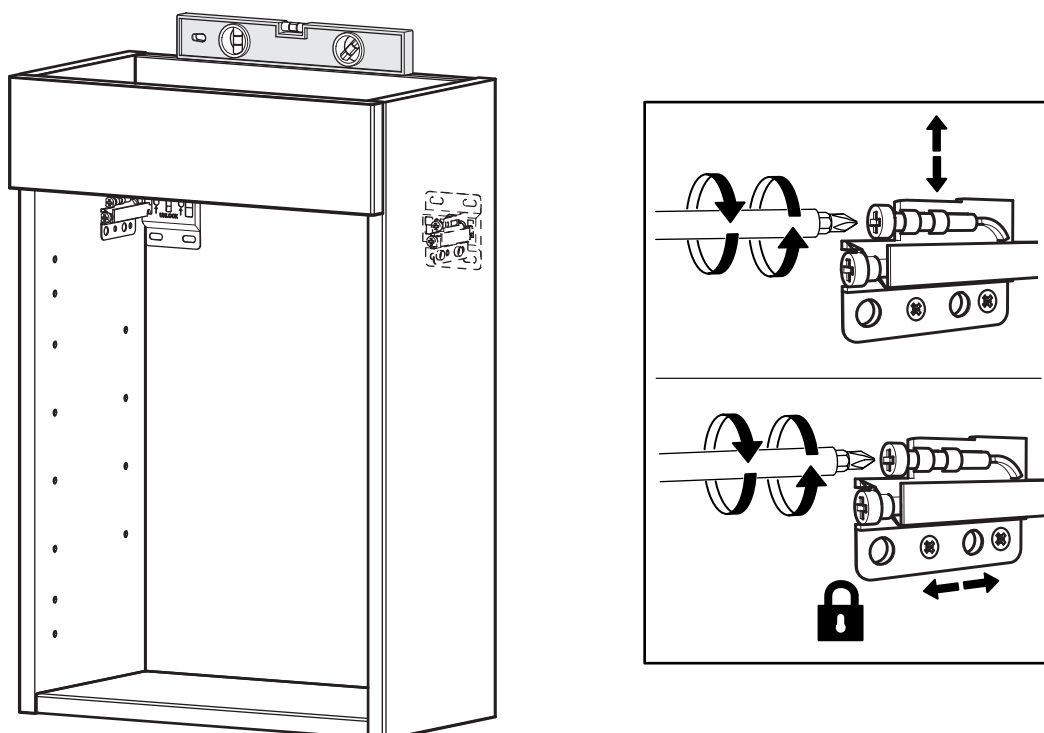
## Step 5

**Fix unit into the bracket**



## Step 6

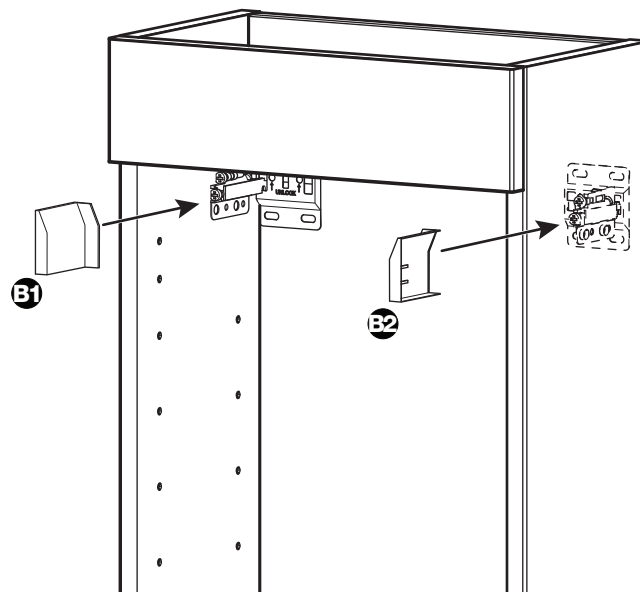
**Block the unit on the bracket**



# Assembly Instructions

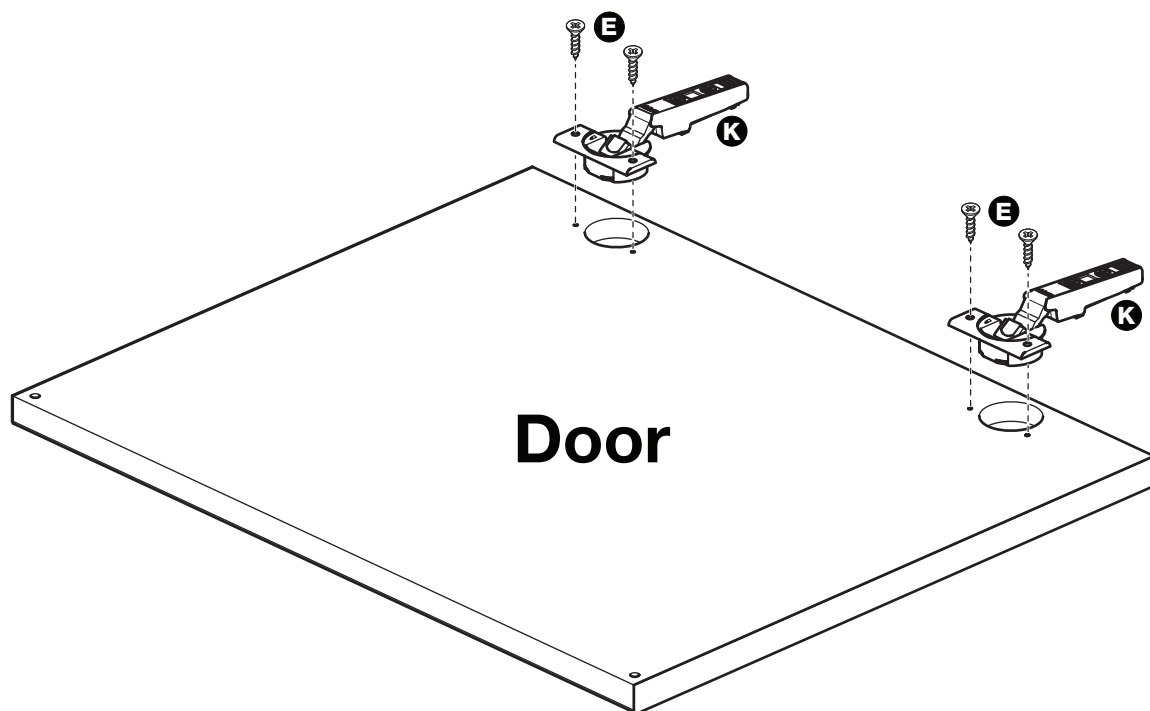
## Step 7

Insert cover



## Step 8

Fix the clip hunge

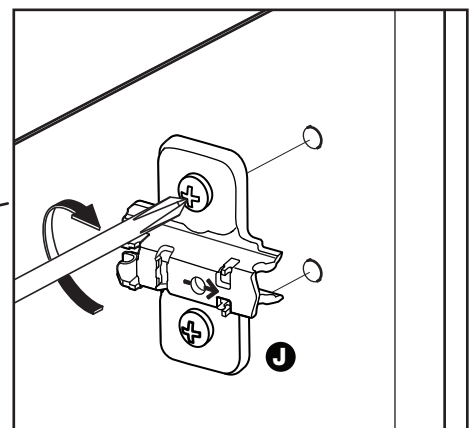
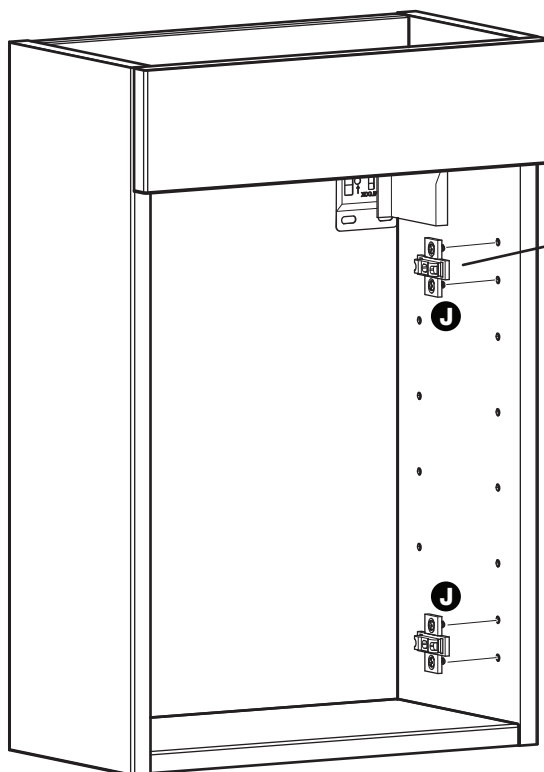
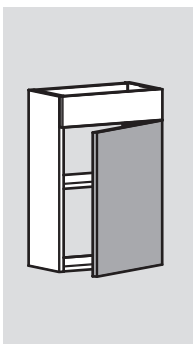
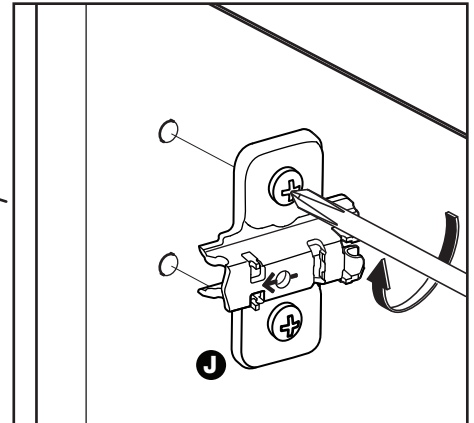
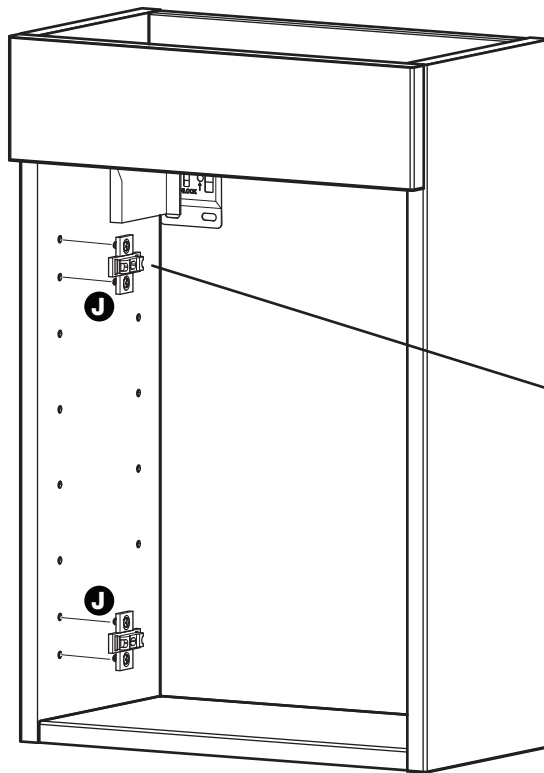
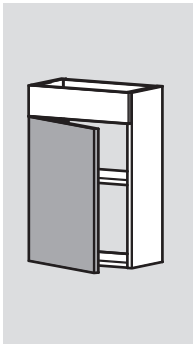




# Assembly Instructions

## Step 9

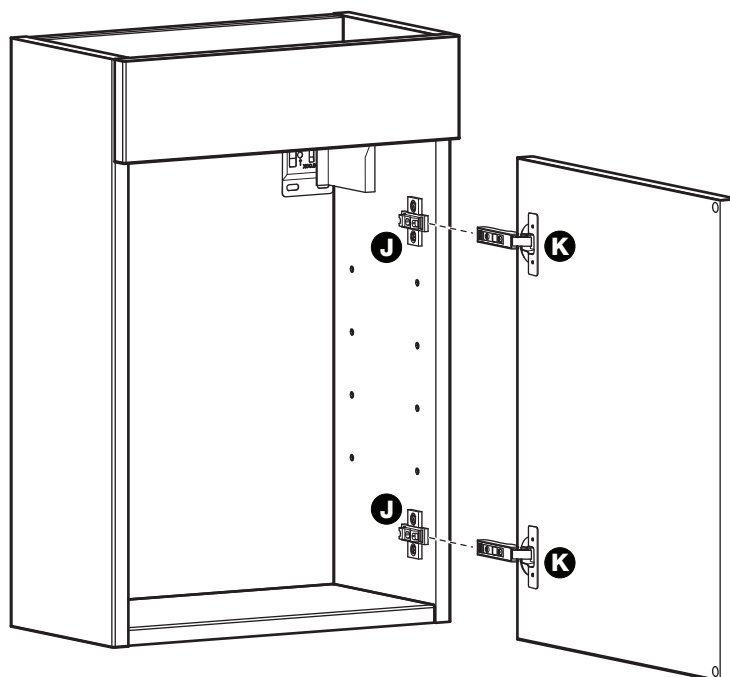
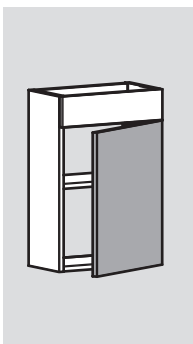
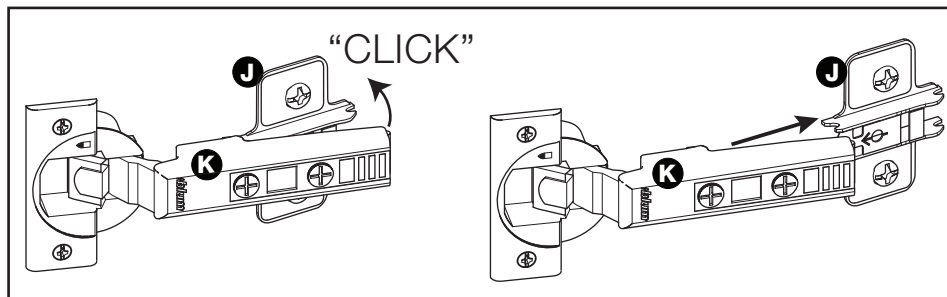
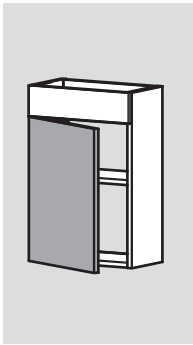
### Fix hinge mounting plate



# Assembly Instructions

## Step 10

### Fix the door

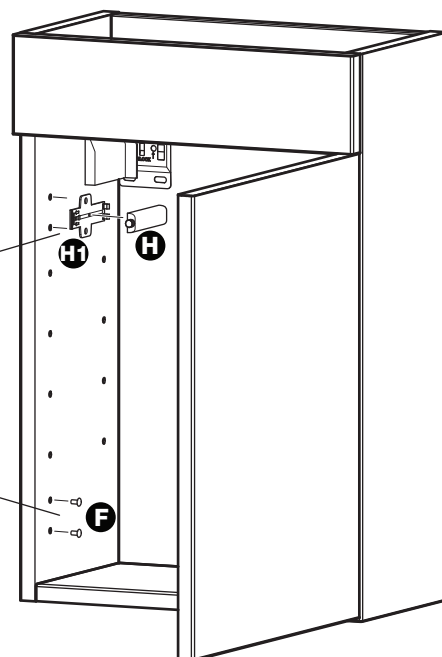
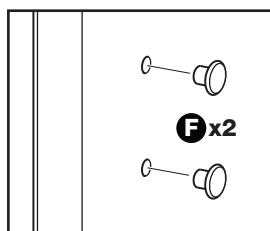
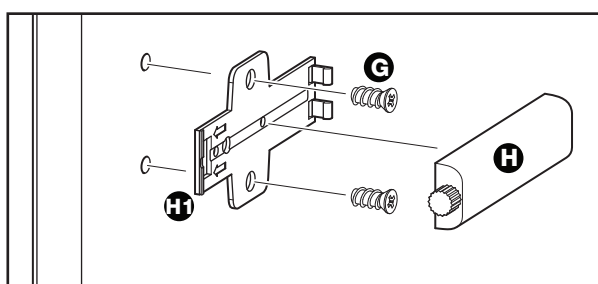
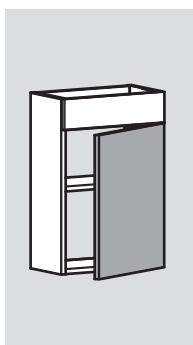
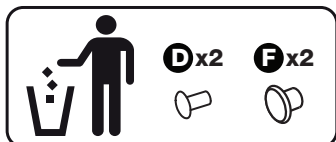
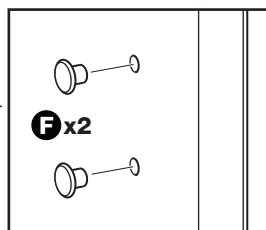
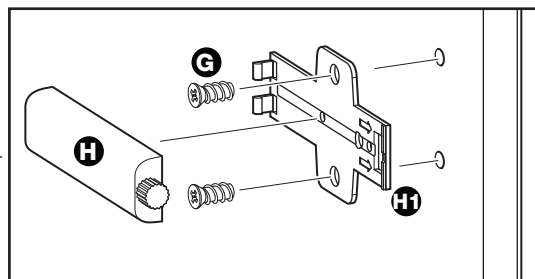
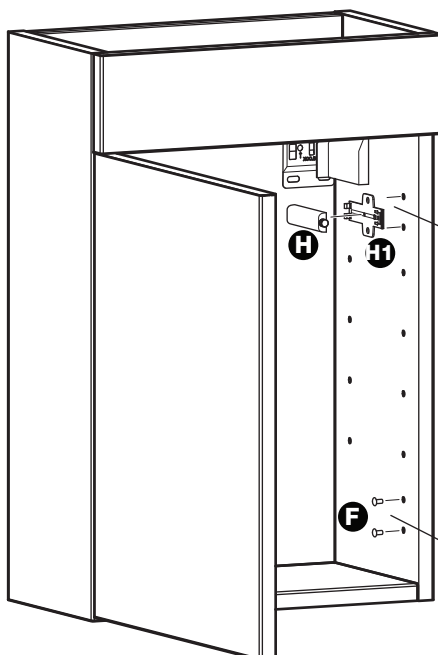
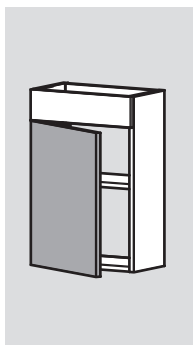


# Assembly Instructions

## Step 11 A



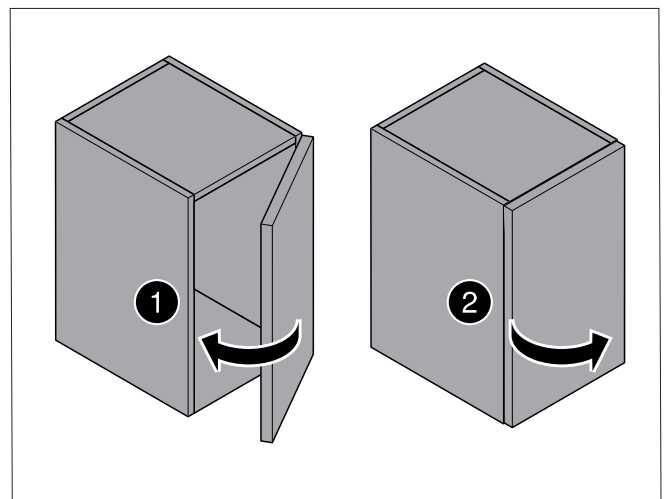
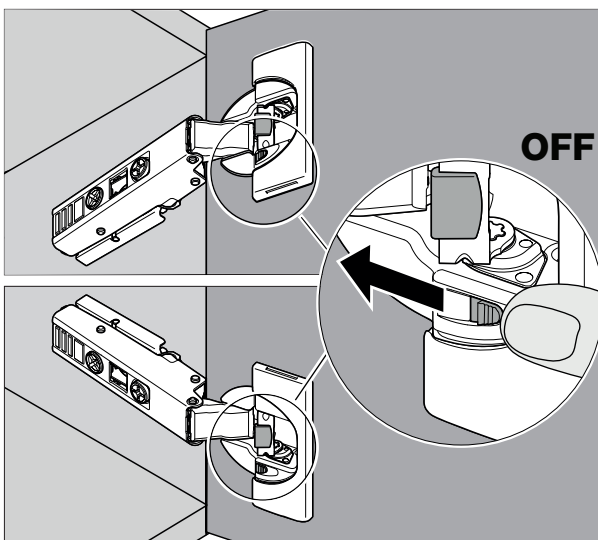
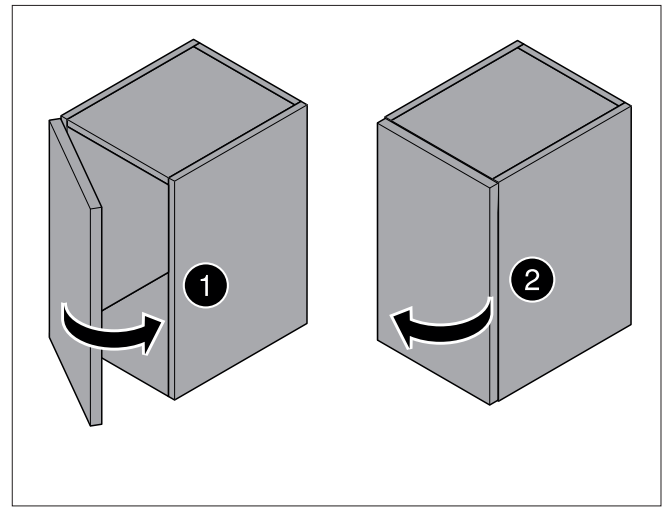
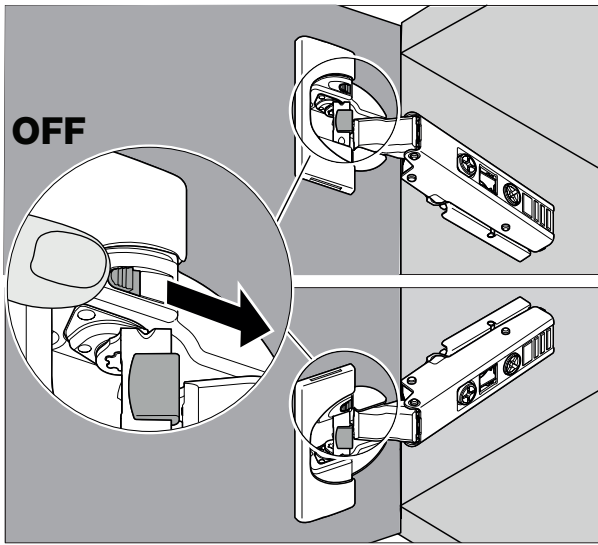
Fix push latch



# Assembly Instructions

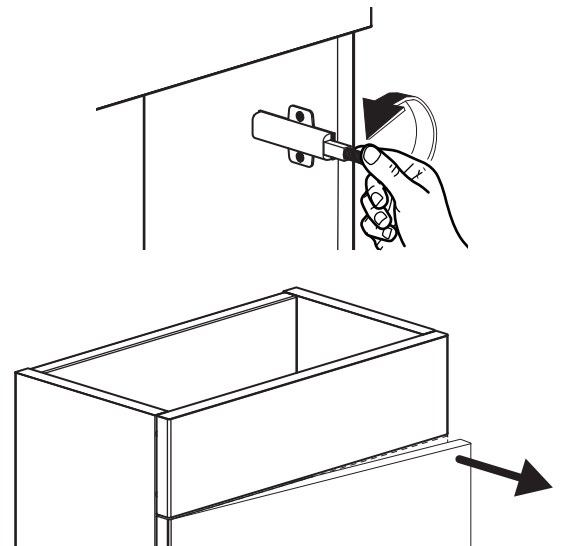
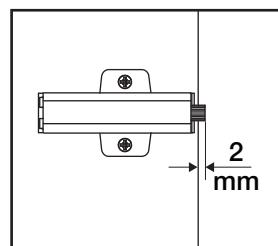
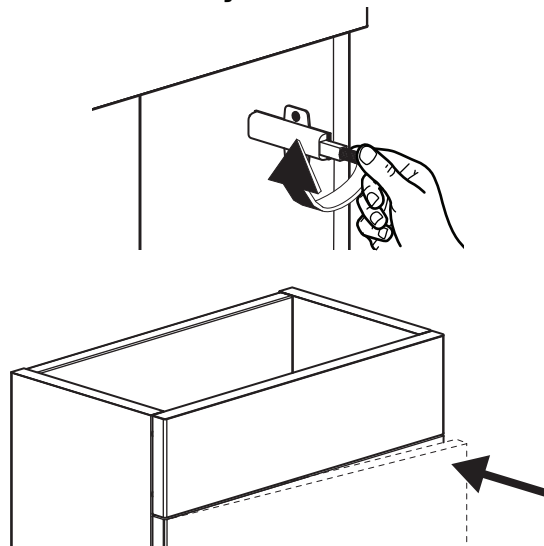
## Step 11 A

### Soft closing deactivation



## Step 11 A

### Push latch adjustment

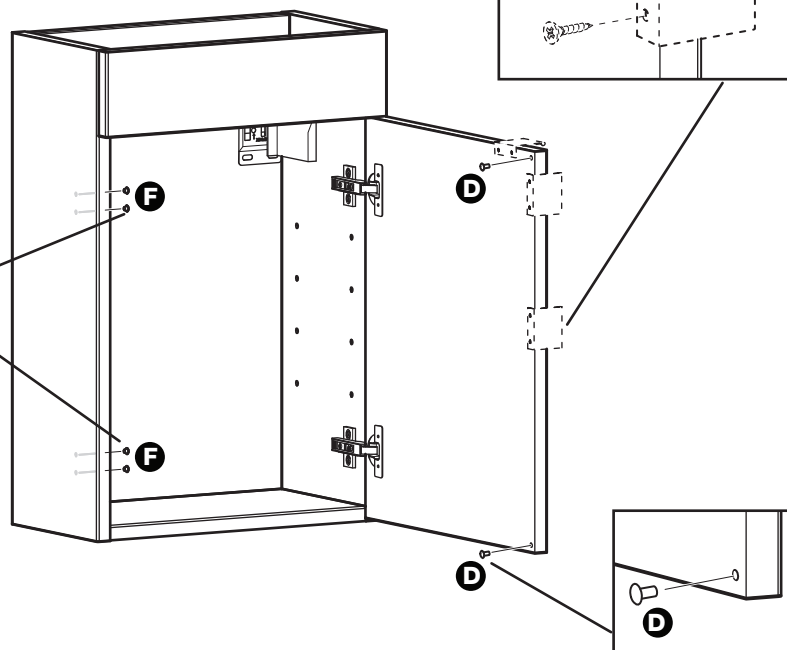
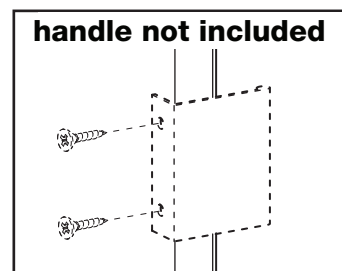
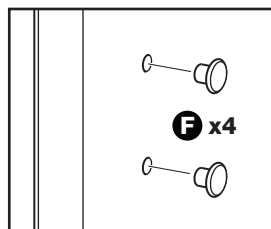
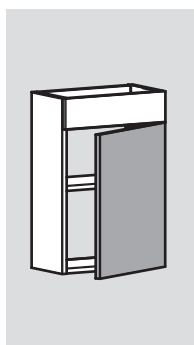
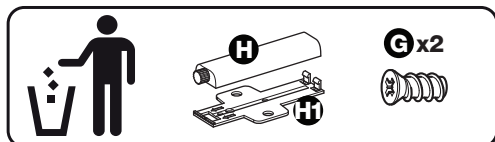
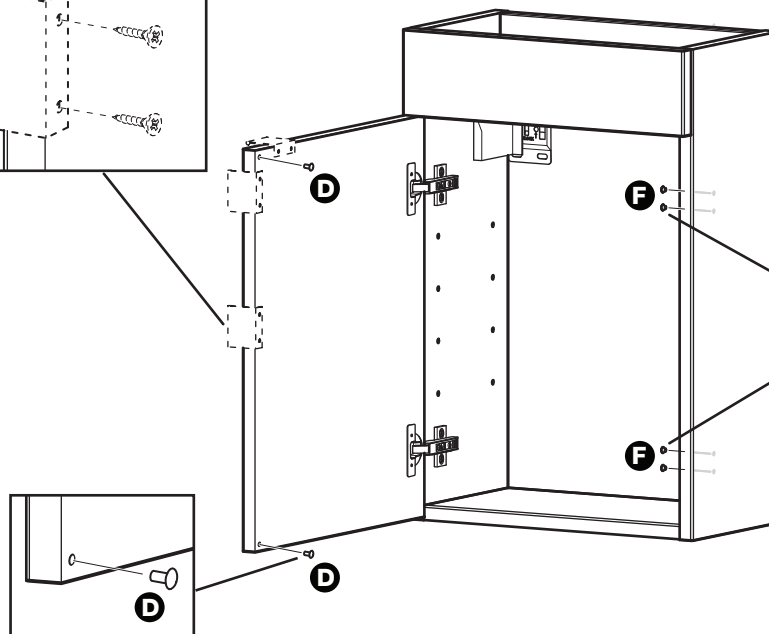
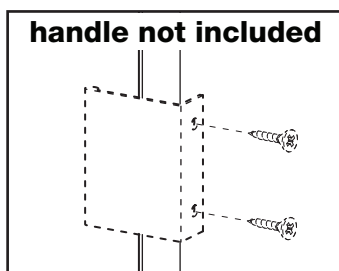
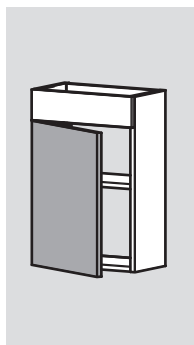


# Assembly Instructions

## Step 11 B



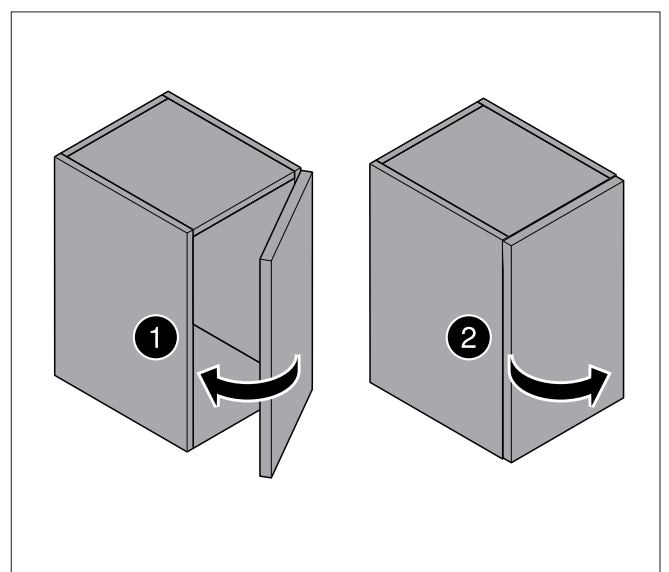
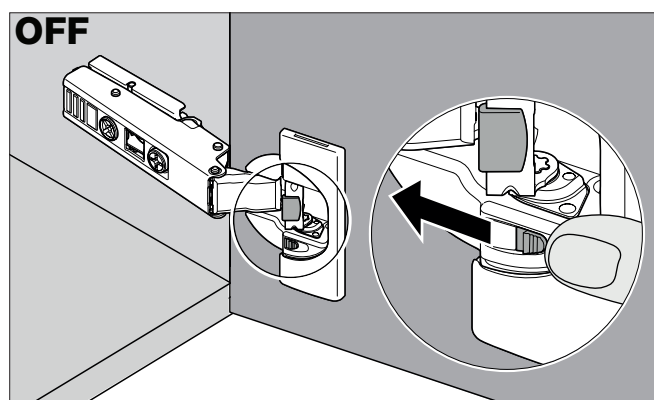
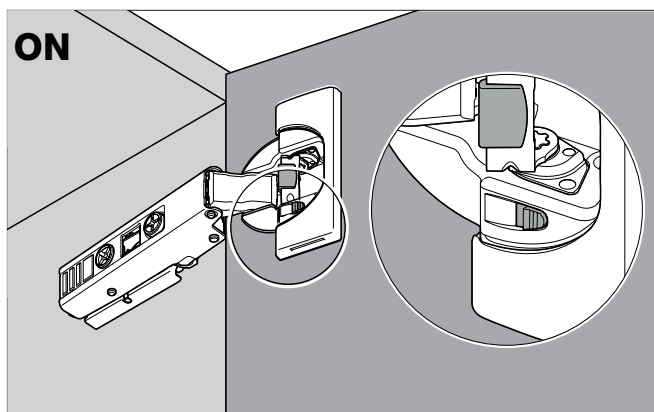
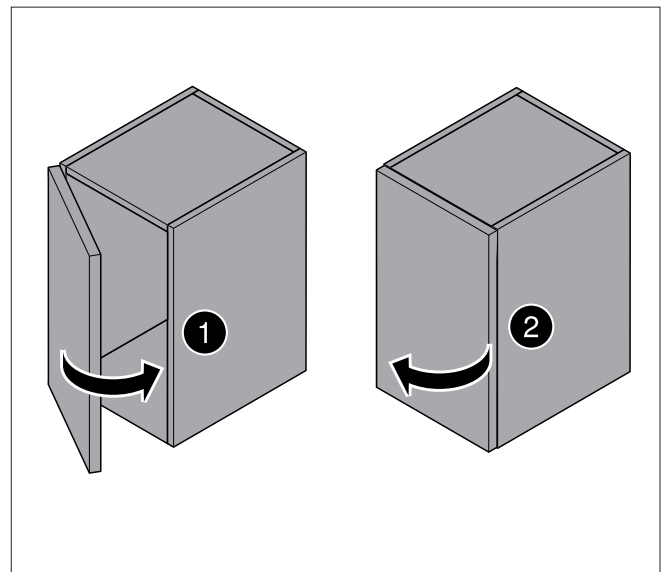
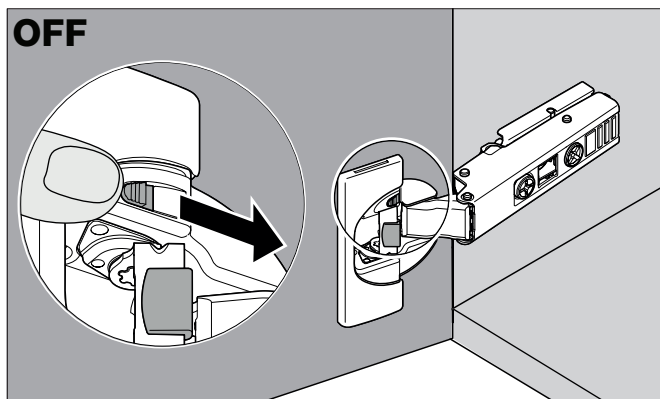
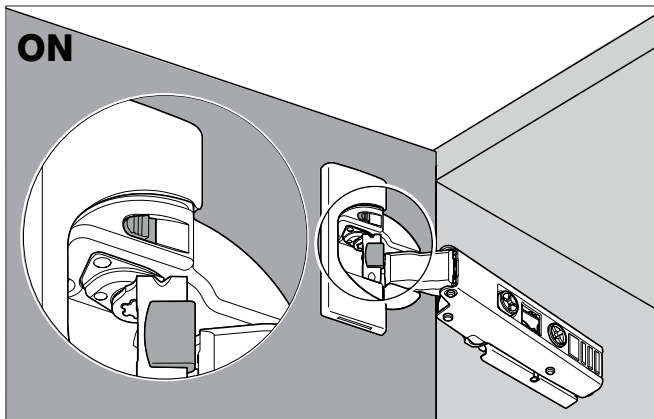
Fix the handle



# Assembly Instructions

## Step 11 B

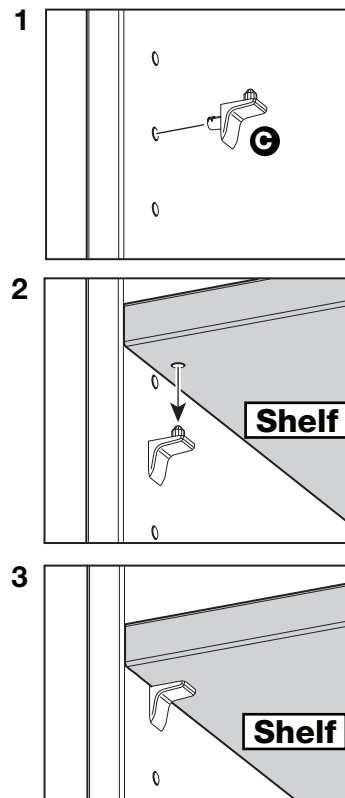
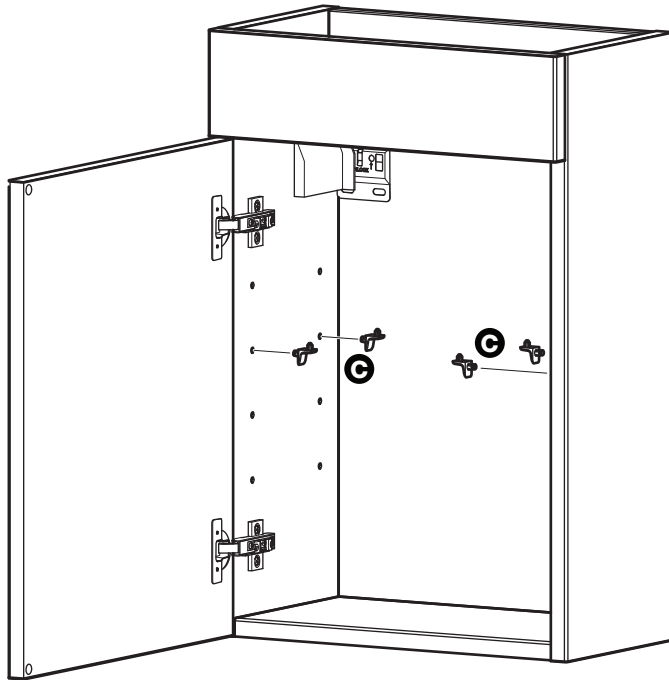
### Soft closing setting



# Assembly Instructions

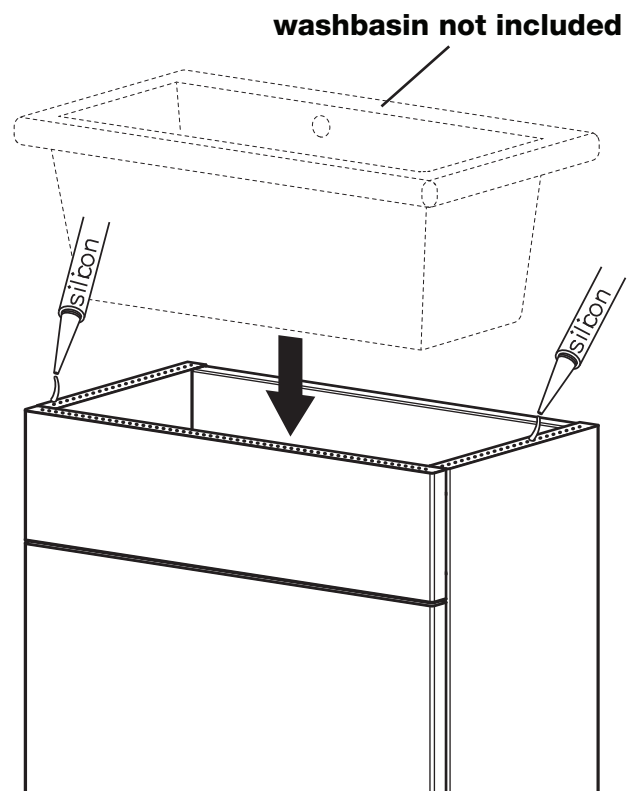
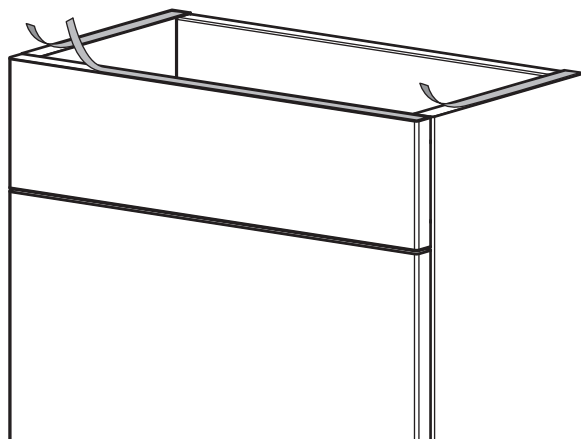
## Step 12

### Insert shelf



## Step 13

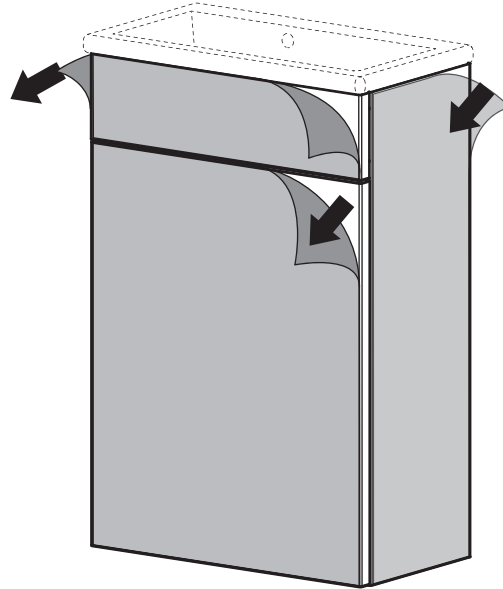
### Remove protective films and insert washbasin



# Assembly Instructions

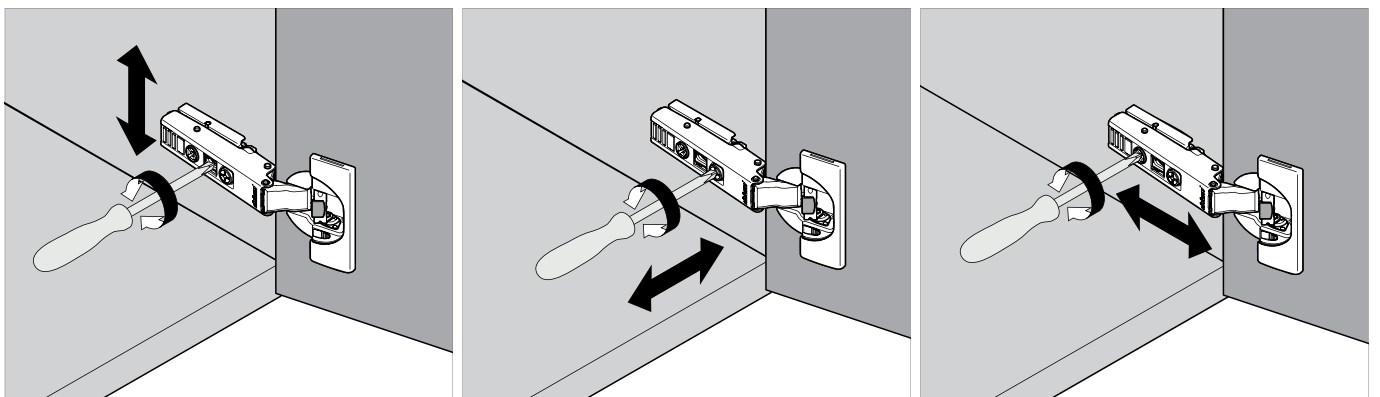
## Step 14

**Remove protective films**



## Step 15

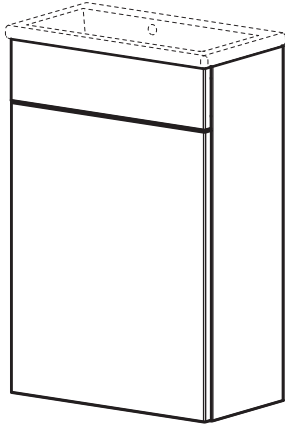
**Adjustment door**





# Assembly Instructions

## Step 16

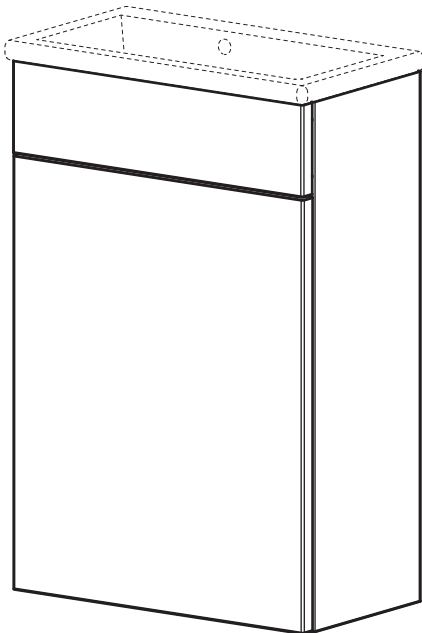


**Total max weight of wall anchoring 40kg**



**Total max weight of shelves loading 3kg each**

# Assembly Instructions



That's the Stool completed.  
Take care of your unit by using a damp cloth to clean it.  
Please remember to occasionally check that all Cams  
and Screws are tight.

## CLEANING INSTRUCTIONS

This product has been manufactured using modern manufacturing methods and materials. With appropriate in-home care and maintenance it will provide trouble free performances. Many domestic multi-purpose cleaning agents are unsuitable for use on this product. The use of aggressive chemicals can result in irreversible damage. Please follow these guidelines carefully.

USE only 5% soap, 95% water solution, wiping with a damp (not wet) cloth. Finally dry with a soft clean cloth. Dust with a soft clean cloth only.

DO NOT USE wax furniture polish, abrasive or aggressive cleaners, bleach or hypochlorate (chlorine) based cleaners, multi-purpose cleaners, dilutes, acetone, alcohol, solvent or similar products.



**Recycling – the packaging materials for this product may be recycled through your local recycling centre. When you want to dispose of the product itself, please consider donating it to a local charitable organisation, otherwise recycle it through your local recycling centre.**



