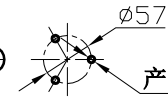
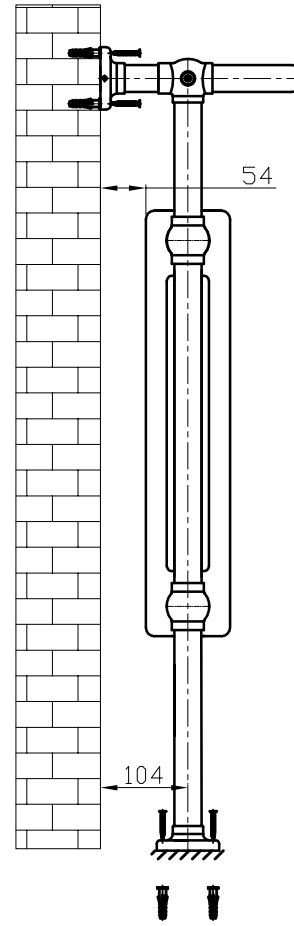
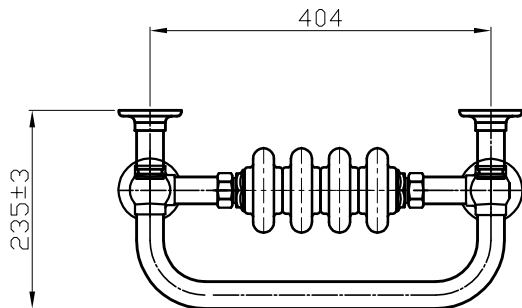
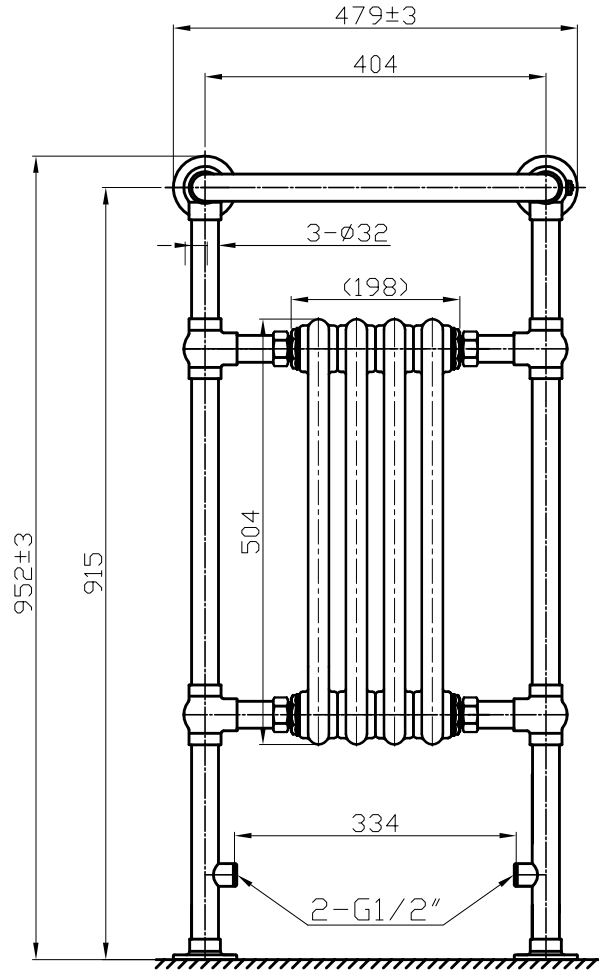


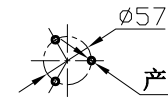
Unit: mm



产品安装孔3-∅8(均布)  
孔深度40mm-50mm

Hole Depth 40-50mm

Three drilling holes 3-  $\phi$  8 should be uniformly distributed.



产品安装孔3-∅8(均布)  
孔深度40mm-50mm

Hole Depth 40-50mm

Three drilling holes 3-  $\phi$  8 should be uniformly distributed.