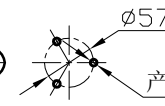
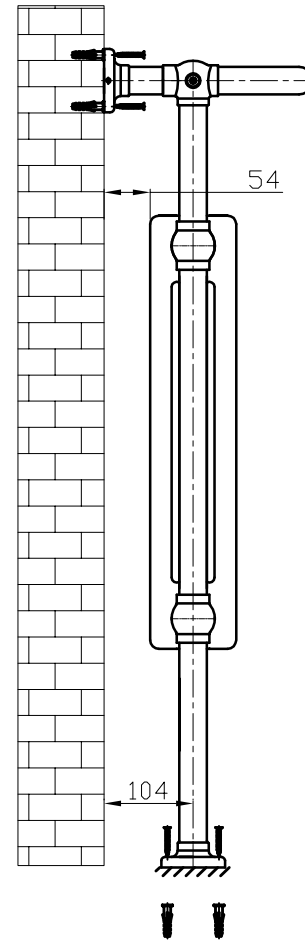
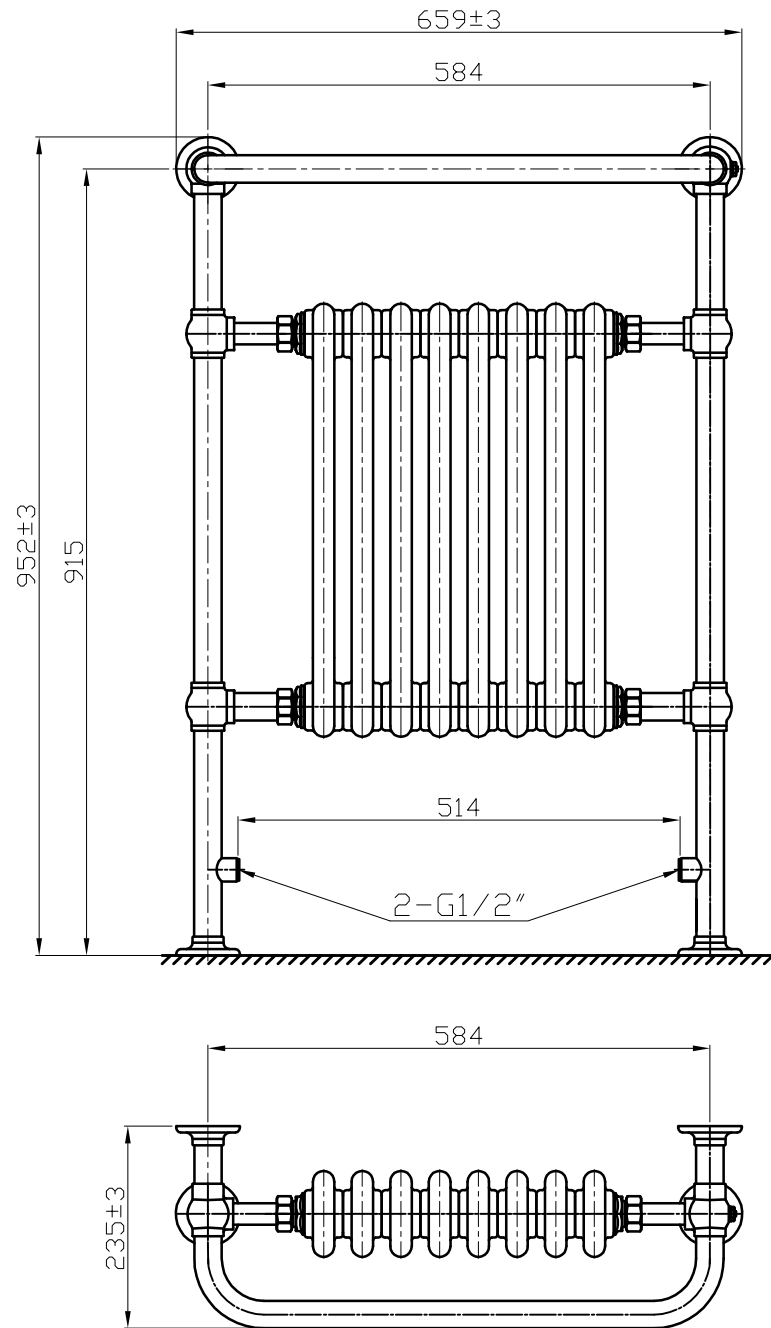


Unit: mm

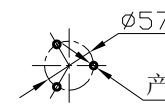


产品安装孔3- $\text{Ø}8$ (均布)

孔深度40mm-50mm

Hole depth 40mm-50mm

Three drilling holes 3- $\text{Ø}8$ should be uniformly distributed.



产品安装孔3- $\text{Ø}8$ (均布)

孔深度40mm-50mm

Hole depth 40mm-50mm

Three drilling holes 3- $\text{Ø}8$ should be uniformly distributed.