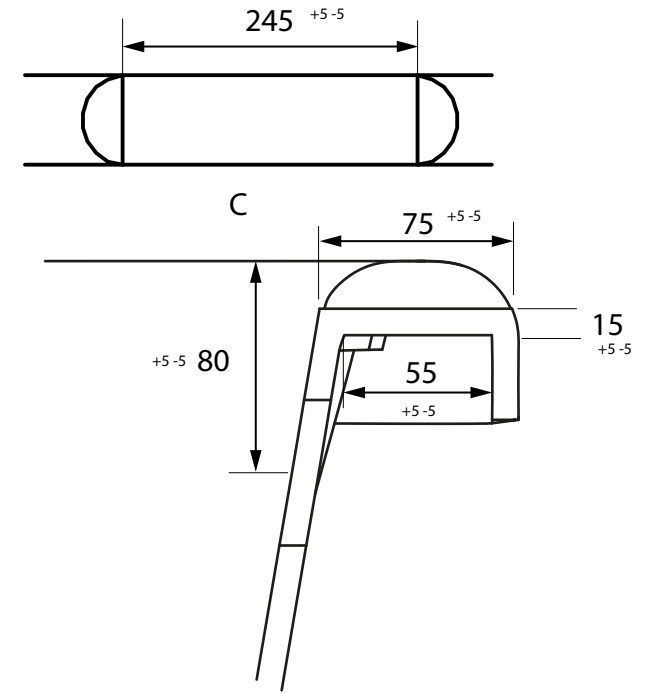
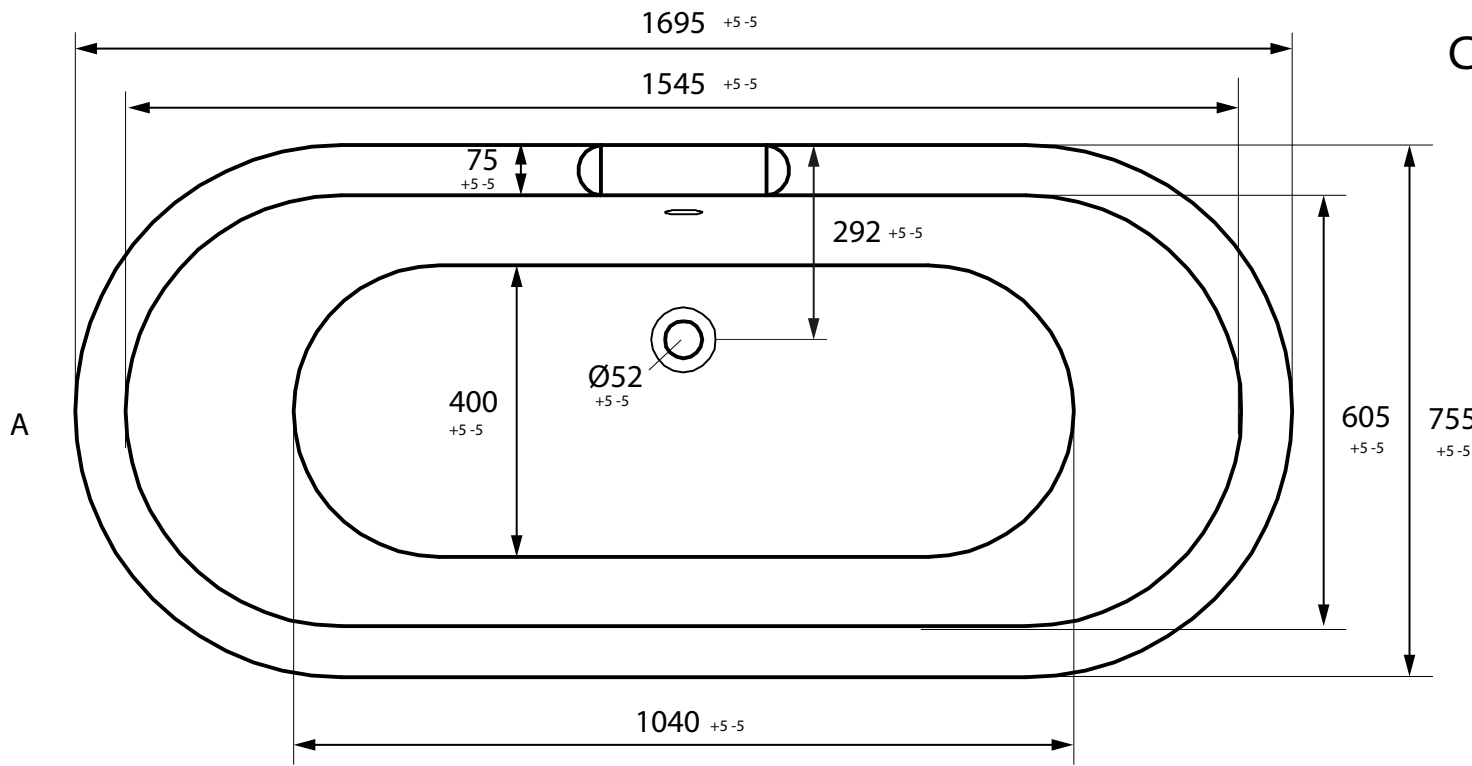


CLERMONT 1695 x 755 x 625 D/E



Please note: Certain dimensions shown, through necessity may not conform to BS EN 232:2012 due to design constraints.

