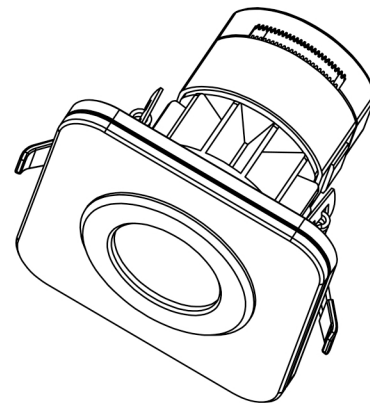


TrioTone™ Cube

IP65 Rated
Ceiling Light

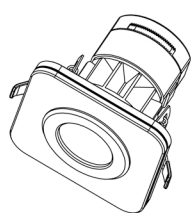


INSTALLATION INSTRUCTIONS

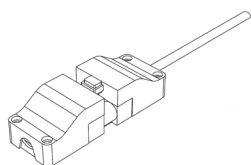
Product Code:
SE62194T0 (Clear)
SE62394T0 (Black)

IMPORTANT: Please read these instructions before commencing installation and retain for future reference.

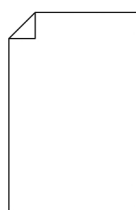
Components



TrioTone™ Cube

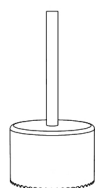


1 x Terminal Block



1 x Instructions
Manual

Tools Required



Ø75mm
Holesaw



Power Drill

Important Safety Information

Please read these instructions carefully before attempting to install this product. It is advisable to keep these instructions in a safe place for future reference.

We recommend that you consult a qualified electrician. All electrical installation must be carried out in accordance with current IEE wiring regulations (BS7671).

These products must not be modified, if any modification are made, it may invalidate the warranty and may render the product unsafe.

If in doubt, installation must be carried out by a qualified electrician.

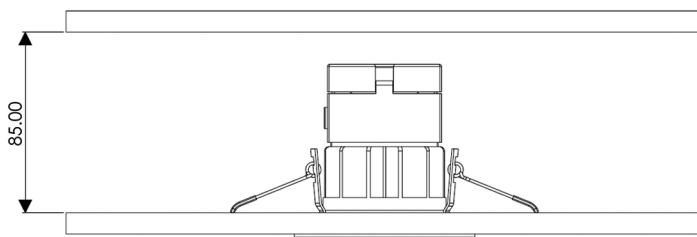
Install on smooth flat surface(s) only.

Do not exceed or stretch the cable length of each LED wire.

This product is IP65 Rated.

The wattage for each light is 8W.

Warning - Before attempting installation, ensure that the ceiling cavity is large enough for the product. The ceiling cavity needs to be at least 85mm or higher.



Safety Instructions

1. Before commencing installation or maintenance, isolate the main electrical supply for the appropriate circuit at the fuse board.
2. This product is only suitable for connecting to a 240V 50Hz supply.
3. The lights should be mounted onto a secure surface.
4. When the lamp expires the fitting must be replaced
5. Class III safety extra low voltage (SELV).

Waste Electrical & Electronic Equipment (WEEE)

The symbol on the product, or on the document accompanying the product, the crossed out wheellie bin symbol, indicates that this product may not be treated as household waste. Instead it shall be handed over to the applicable collection point for the recycling of electrical and electronic waste.



RoHS ✓
Compliant

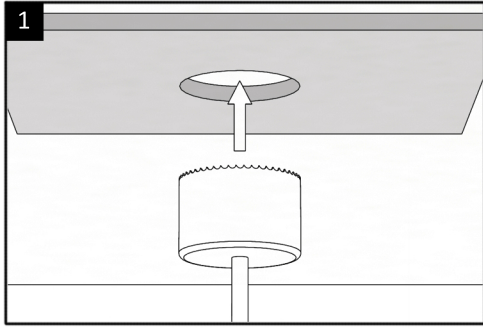
CE

Sensio House, Unit 7, Speedwell Road, Whitwood, Castleford, West Yorkshire, WF10 5PY

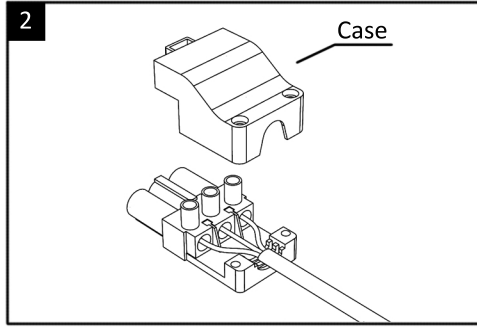
www.sensio.co.uk

Technical drawings for illustration purposes only, Sensio has the right to change any information without prior notice.

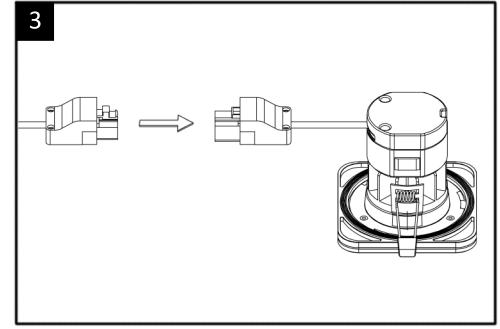
Installation



Carefully mark the desired location for the ceiling light and proceed to cut a $\varnothing 75\text{mm}$ hole using a hole saw.

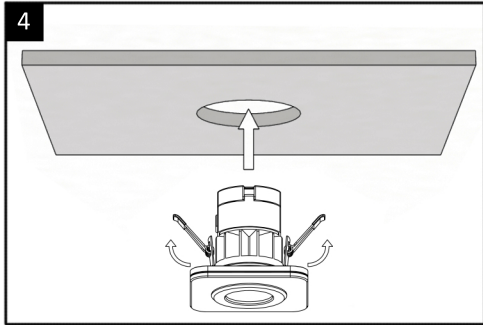


Thread a mains cable through the hole and connect it to the female half of the terminal block. **Note:** You will need to unscrew the case and remove it. Be sure to replace the case after.



Connect both halves of the terminal block together.

Note: At this stage ensure that you have selected the correct colour setting. (See the operation section of the guide).



Finally, compress the springs and insert the light into the hole. Once the light is in the hole, release the spring to secure it in position.

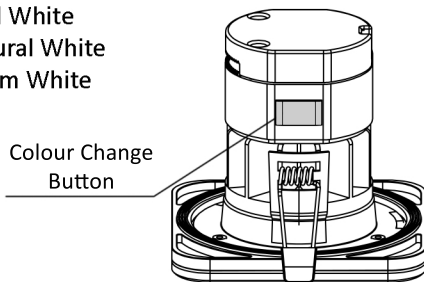
Operation

TrioTone™ Function

Use the colour change button to cycle through the three different colour options.

Colour options:

- Cool White
- Natural White
- Warm White



Product Overview

The Sensio TrioTone™ Cube - IP65 Fire Rated Down Light offers a complete range of features all from one fitting.

It features TrioTone™ technology, which allows the light source to be changed between cool white, natural white and warm white with the press of a button. It is also fully dimmable from most standard dimmers (trailing or leading edge).

For ease of use and installation the product comes equipped with a fast clip connector, which enables the light to safely unplug from the mains supply. There is also no need for a driver/transformer as the product wires straight into the mains supply.

The product is suitable for use inside and outside due to its IP65 rating, and it is also fire rated and fully compliant with all current UK building regulations.

Maintenance & Care

- Ensure that the power is disconnected prior to cleaning.
- To keep the finish of this product, wipe over with soft cloth periodically.
- Do not use harsh chemical solvents, this may dis-colour or damage the finish.
- Do not over-tighten screws on the terminal block.