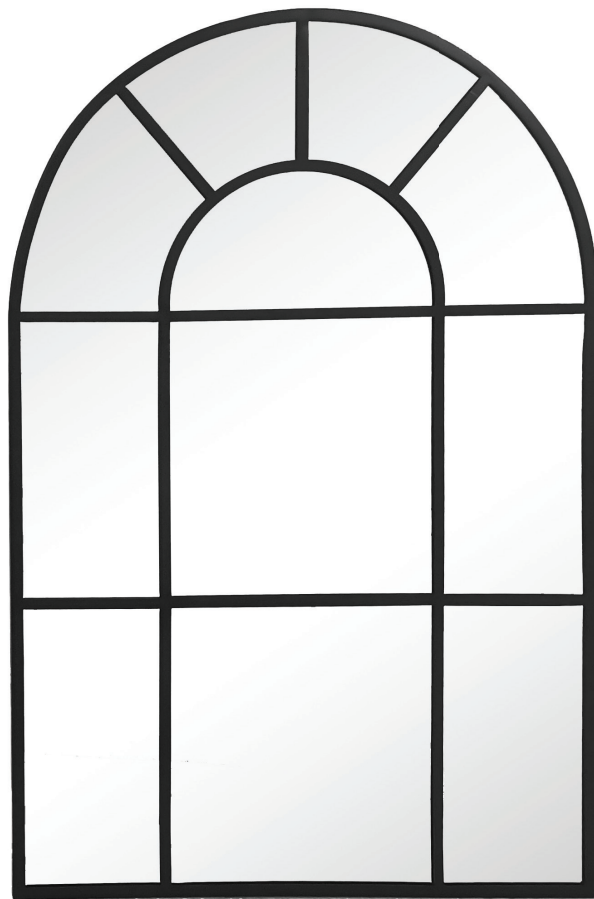


HOMEBASE

WINDOW PANE IRON ARCH MIRROR



INSTRUCTION MANUAL

IMPORTANT: Please read these instructions before using the product and retain for future use.
HHGL Limited, MK9 1BA; HHGL (ROI) Limited, D02 X576

SAFETY AND CARE ADVICE

- To clean, wipe with a soft, dry microfibre cloth.
- Do not use abrasive cleaning chemicals or other strong household cleaners.
- A household glass cleaner may be used for the mirror surface only.
- Do not spray cleaner onto the mirror or frame.
- Spray the cleaner directly onto the cloth first then use the cloth to clean the mirror.

WARNING

- Do not hang this mirror from a single mounting point. Both keyholes must be used to support the mirror on the wall using the appropriate fixings. Please follow the instructions carefully.

HARDWARE

NOTE: Fixing devices are not included, as different surface materials require different attachments. If you are in any doubt about what fixing hardware you require, please seek professional advice or visit your local store.

FIXINGS REQUIRED:

2 x wall anchors

2 x screws

TOOLS REQUIRED:

- Pencil
- Screwdriver
- Measuring tape
- Spirit level

ASSEMBLY

Step 1

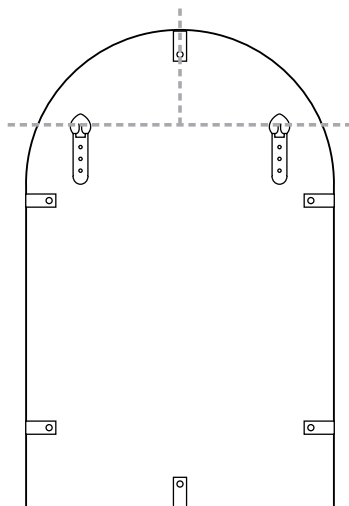
Wipe the wall with a clean, dry cloth.

Step 2

With the help of another person, hold the mirror in the desired position on the wall. Use a pencil to mark the top centre edge of the mirror.

Step 3

Measure down from the top centre point of the mirror to the top centre line of the keyhole notches. Measure the distance between the centre points of the top of the two keyhole notches. Align the centre point of this measurement with the marked height of the keyhole notches and the top centre mark of the mirror. Record these measurements on the wall. These are the insertion points of the mounting fixings. Use a spirit level to ensure the mirror will be level.



Step 4

Screw the wall anchors and screws (dependant on wall material) into the marked insertion points on the wall. Ensure the wall anchors are flush against the wall and screws are approx. 1.5cm between the back of the screw head and the wall.

Tip: Do not 'push' or drive the anchor into the wall, it is designed to bore into the wall like a drill bit.

Step 5

Align the keyhole notches over the screw holes.

Step 6

Slide the mirror down until it rests on the screws. Tighten or loosen the screws, as required, to ensure the mirror fits securely against the wall.

ASSEMBLY COMPLETE