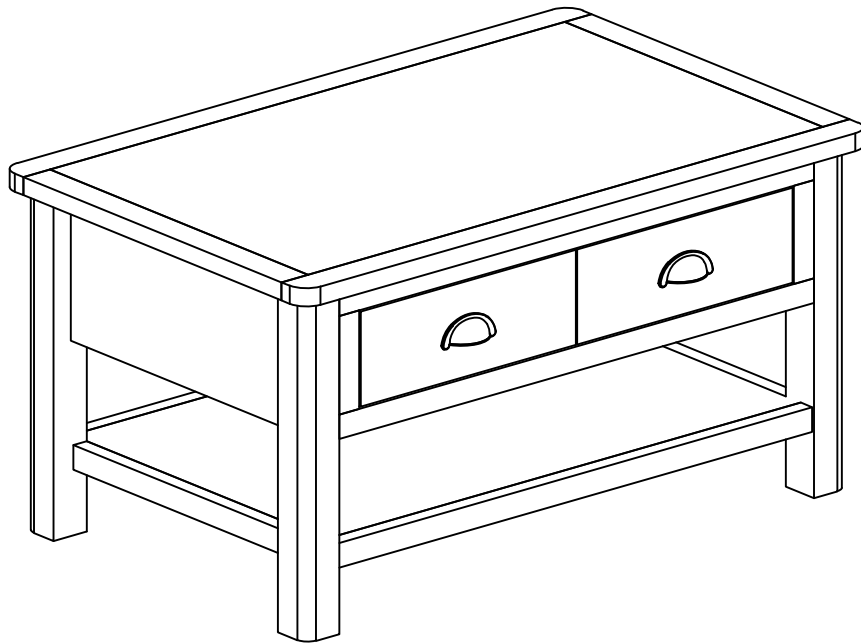


HOMEBASE

NORBURY COFFEE TABLE

H44 x W85 x D54cm



INSTRUCTION MANUAL

IMPORTANT: Please read these instructions before using the product and retain for future use.

HHGL Limited, MK9 1BA; HHGL (ROI) Limited, D02 X576

SAFETY AND CARE ADVICE

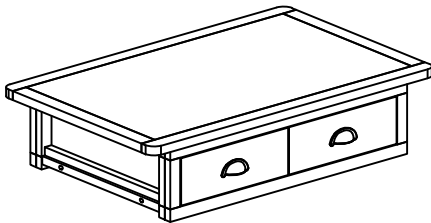
- Keep children and animals away from the work area; small parts could pose a choking hazard.
- For ease and speed of assembly, we recommend that you identify all the parts required for each step before you commence assembly.
- This product is designed for domestic use only.
- We recommend that you assemble the product as close to its final position as possible, to avoid moving the product unnecessarily once assembled.
- Assemble on a soft, level surface to avoid damaging the product or your floor.
- We do not recommend the use of a power drill/driver for inserting screws, as this could damage the product. Only use a hand screwdriver.
- Parts of the assembly will be easier with 2 people.
- Assemble all parts and bolts loosely during assembly; tighten bolts fully once the product is assembled.
- Dispose of all packaging carefully and responsibly.



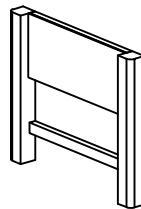
CARE AND MAINTENANCE

- Only clean using a damp cloth and mild detergent; do not use bleach or abrasive cleaners.
- Furniture polish is not recommended.
- From time to time, check that there are no loose screws, nuts or bolts. If there are, please re-tighten.
- This product should not be discarded with household waste. Take it to your local authority waste disposal centre

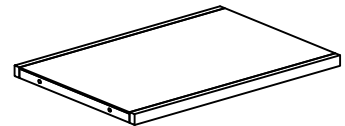
PARTS LIST



① Top frame x 1

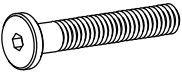
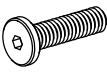

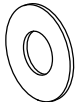
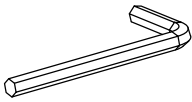


② Legs x 2



③ Shelf x 1

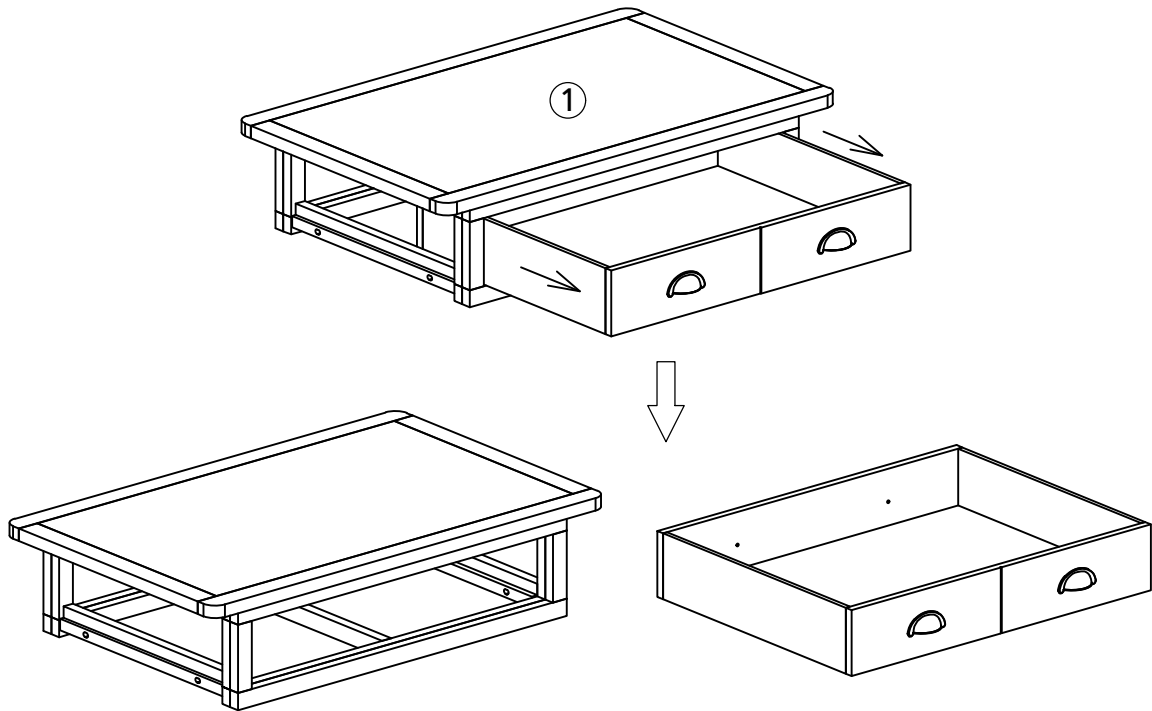
HARDWARE LIST

<p>A</p>  <p>Long bolts x 4</p>	<p>B</p>  <p>Short bolts x 8</p>	<p>C</p>  <p>Spring washers x 12</p>	<p>D</p>  <p>Flat washers x 12</p>	<p>E</p>  <p>Allen key x 1</p>
---	--	--	--	--

ASSEMBLY

Step 1

Remove the drawer from inside of the Top frame (1), as shown



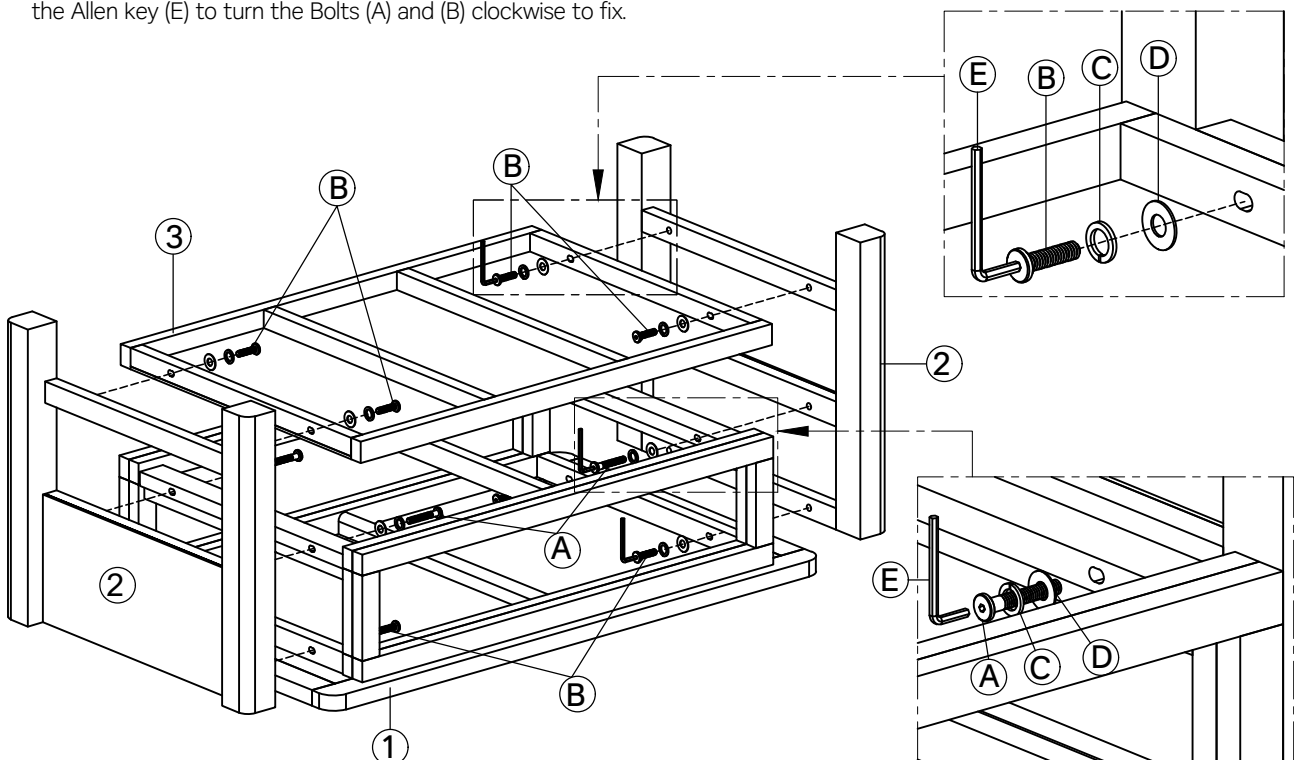
Step 2

Place the Top frame (1) upside down onto a flat, stable, clean and soft surface.

Align the Legs (2) with the holes in the side of the Top frame (1), as shown.

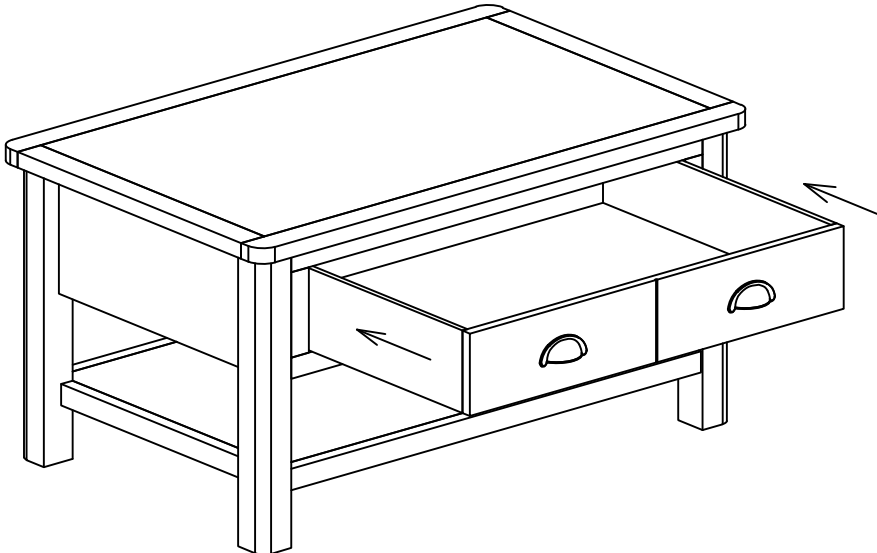
Align the Shelf (3) with the holes in the Legs (2), as shown.

Secure the Legs (2) and (3) to the Top frame (1) using Bolts (A) and (B), Spring washers (C) and Flat washers (D), as shown. Use the Allen key (E) to turn the Bolts (A) and (B) clockwise to fix.



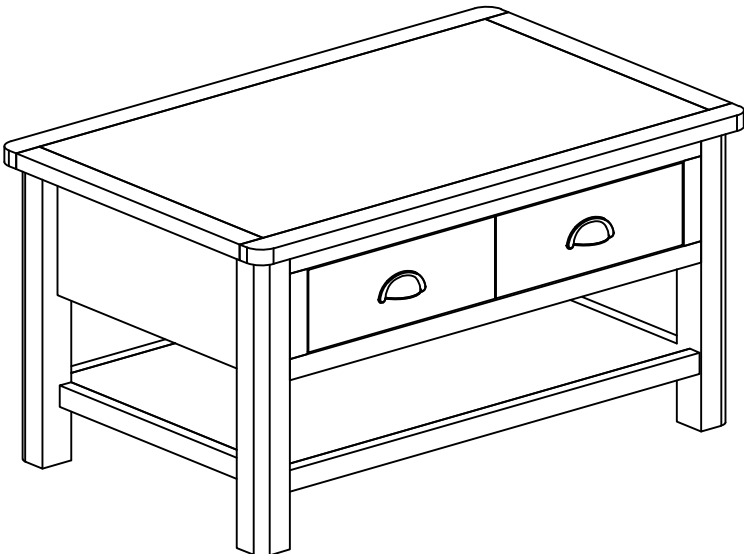
Step 3

Carefully turn over the Coffee Table and replace the drawer box, as shown.



Step 4

Move the Coffee Table into desired position.



ASSEMBLY COMPLETE