

# HOMEBASE

## 3FT WHITE

## TINSEL TREE



### INSTRUCTION MANUAL

IMPORTANT: Please read instructions before using the product. Retain instructions for future use.

HHGL Limited, MK9 1BA; HHGL (ROI) Limited, D02 X576

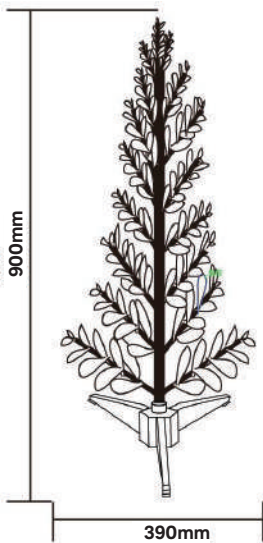
## Caution

- This product is intended for INDOOR USE ONLY.
- Do not position or place the tree near fire, candles or any other direct sources of heat. Avoid using in damp, wet and humid areas.
- Do not position your tree where it is a hazard to the elderly, children or pets. Take particular care with electric cables.
- This product is for decoration purposes only. Trees have small parts which may pose a choking hazard if detached from the branches. Not to be used by children as a toy. Keep out of reach of children and pets.
- Place on a level, hard and flat surface. Do not place where the tree is likely to wobble due to an uneven surface, floors or thick carpeting.
- Ensure tree sections are stable and securely attached to the top of your tree.
- After assembling the tree and adding the decorations, make sure the tree is stable. If the tree is not stable, shift the weight of the decorations and use support wires to attach to walls and/or window frames (make sure they are secure also).
- Do not overload with heavy decorations.
- Please check all fittings and re-tighten on a weekly basis, or as necessary.
- Save the packaging to store your tree.
- When you have finished using the tree, carefully re-pack following the instructions, to ensure the tree remains in good condition to be re-used. Make sure the storage area is dry, avoid any damp, wet or humid conditions.
- Retain instructions for future use.

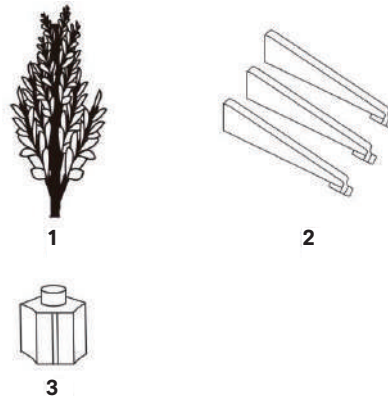
## Before you start

1. Please check that all parts are present before you start the assembly of your product, as once assembled, this product is exempt from our money back guarantee. This does not affect your statutory rights.
2. For ease and speed of assembly, we recommend that you identify all the parts required for each step.
3. For larger items, please ensure that you have sufficient space and people to assemble your product safely.
4. We recommend that, where possible, all items are assembled near to the flat area in which they will be placed in use, to avoid moving the product unnecessarily once assembled. Never allow any parts of the tree to come into contact with a source of heat or flames.
5. Please keep plastic bags out of reach of children and animals.
6. Locate your tree on a level surface which will not be damaged by the tree or decorations which could detach.
7. During assembly, please take care not to overtighten any fittings, as this may damage the product.

## Assembled dimensions



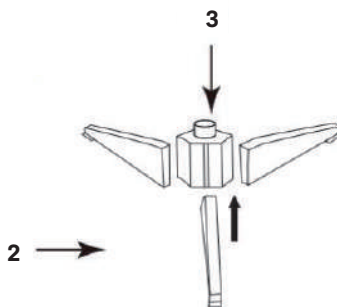
## Parts list



No.	Part list	Qty
1	Whole section of tree	1
2	Tree stand leg	3
3	Tree stand socket	1

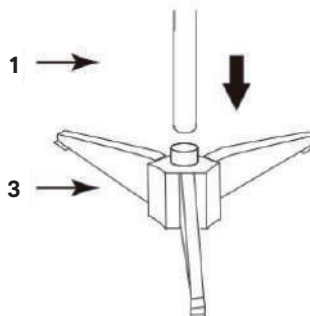
## Assembly

### Step 1



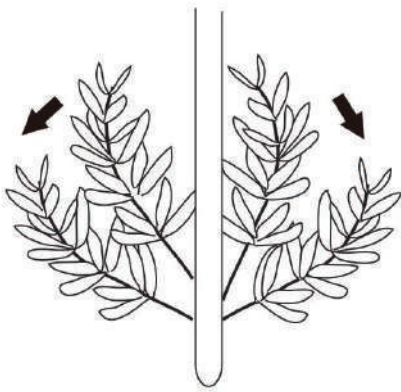
Carefully slide each tree stand leg (2) upwards into the corresponding slot on the tree stand socket (3), and place it on a flat surface.

### Step 2



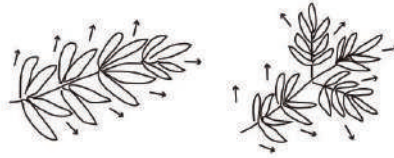
Position the tree stand, insert the whole tree section (1) into the tree stand socket (3) and push down into position.

### Step 3



After each section is inserted, shape the tree by arranging the branches into the desired position.

### Step 4



Gently pull out and spread all the branches and individual tips from your tree. Beginning from the bottom layer of branches.

### Step 5



#### Assembly complete

Your tree is now ready for lights and decorating, if required.

## Care and use

1. Before using or re-using the tree, inspect the product carefully. If there are any damaged parts or exposed sharp points, please dispose of the tree.
2. Do not dip in water.
3. Do not use solvent to clean.
4. If necessary, clean tips carefully with water.

## Disassembly and storage

Before storage, please repack the product as follows, to avoid damage:

1. Remove all decorations.
2. Gently lift off each section of the tree.
3. Carefully place the tree in its box and tape it shut.
4. STORE THE PRODUCT IN A COOL AND DRY LOCATION, AWAY FROM SUNLIGHT AND WHERE THE TEMPERATURE DOES NOT EXCEED 40°C.