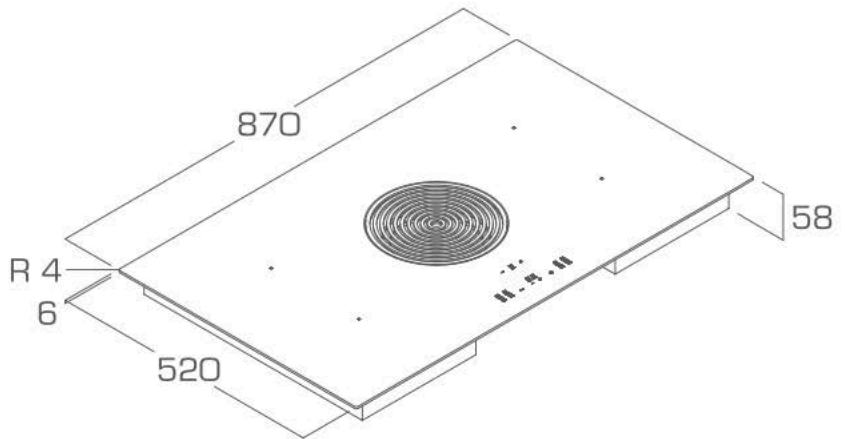


Product Dimensions



Cut-out Dimensions

