

HARTINGTON

FLORENCE COLLECTION

Storage Box

Powder-coated aluminium frame
Machine woven synthetic rattan
H100 x W150 x D70cm



Important

Please read these instructions before using the product and retain for future use.

HHGL Limited, MK9 1BA; HHGL (ROI) Limited, D02 X576

SAFETY & CARE ADVICE

Please read these instructions fully before starting assembly.

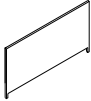

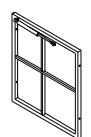
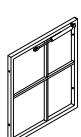
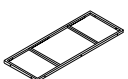
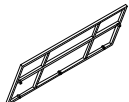
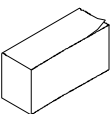
- Check you have all the components and tools listed in this booklet before assembly.
- Remove all fittings from their plastic bags and separate them into their groups.
- Keep children and animals away from the work area; small parts could choke if swallowed.
- Make sure you have enough space to lay out the parts before starting.
- Do not stand or put weight on the component parts during assembly, as this could cause damage.
- Assemble on a soft, level surface to avoid damaging the unit or your floor.
- We recommend a two-person assembly.
- Do not tighten screws completely at every stage until assembly is complete, then place bolt caps and nutcaps on all visible bolts and locknuts.
- Dispose of all packaging carefully and responsibly.

IMPORTANT INFORMATION

- Regularly check all the bolts, screws and fastenings are secure.
- Only clean using a damp cloth and mild detergent; do not use bleach or abrasive cleaners.

COMPONENTS - PANELS





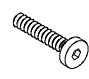
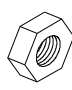
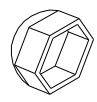
Please check you have all components listed below. If you have any missing or damaged components, please contact your local store.

<p>A</p>  <p>Long side panel x 1</p>	<p>B</p>  <p>Long side panel x 1</p>
<p>C</p>  <p>Short panel x 1</p>	<p>D</p>  <p>Short panel x 1</p>
<p>E</p>  <p>Base x 1</p>	<p>F</p>  <p>Lid x 1</p>
<p>P</p>  <p>Waterproof bag x 1</p>	


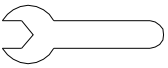
COMPONENTS - FITTINGS

Please check you have all fittings listed below. If you have any missing or damaged fittings, please contact your local store.

Note: The quantities below are the correct amount to complete the assembly. In some cases, more fittings may be supplied than required.

<p>G</p>  <p>M6*45mm bolts x 12</p>	<p>H</p>  <p>Washers x 24</p>
<p>I</p>  <p>PVC covers x 21</p>	<p>J</p>  <p>M6*50mm bolts x 6</p>
<p>K</p>  <p>M6*35mm bolts x 3</p>	<p>L</p>  <p>Locknuts x 3</p>
<p>M</p>  <p>Nut caps x 3</p>	

Tools included

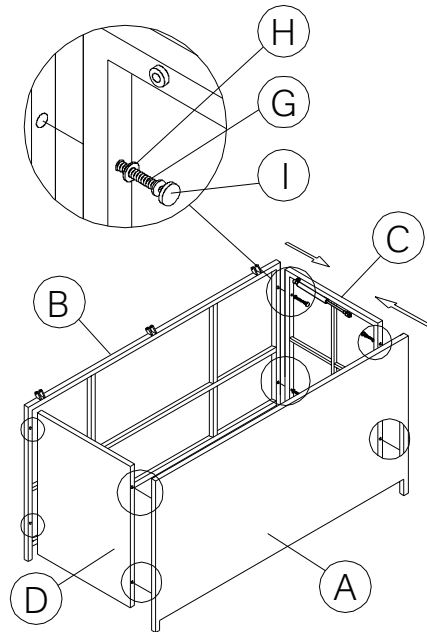
<p>N</p>  <p>Allen key 1pc</p>	<p>O</p>  <p>Spanner 1pc</p>
--	---

ASSEMBLY INSTRUCTIONS

Step 1

Loosely attach long side panels (A and B) to short panels (C and D) with bolts (G) and washers (H), using Allen key (N).

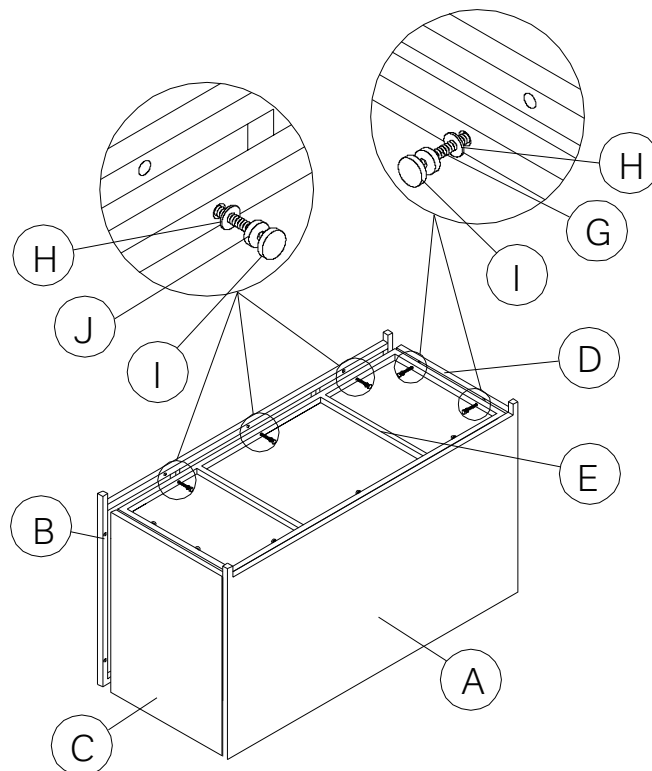
Note: Only hand tighten at this stage.



Step 2

Loosely attach the base (E) to the already assembled panels (A, B, C and D) with bolts (G and J) and washers (H), using Allen key (N).

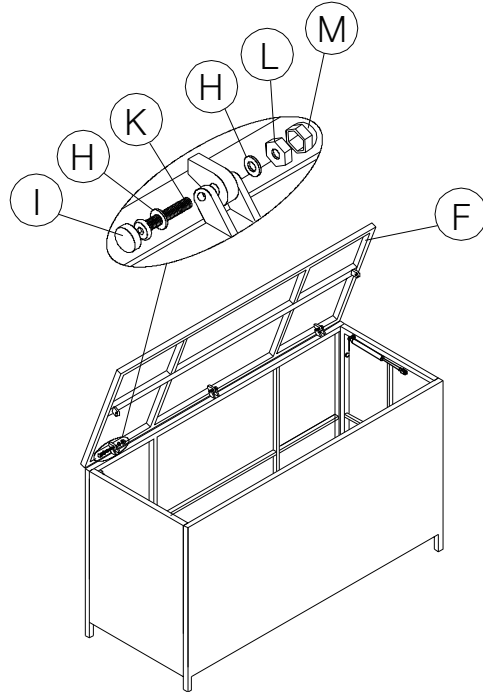
Note: Only hand tighten at this stage.



Step 3

Turn over the box so the opening is on top.

Place lid (F) on to the top of the box and attach with bolts (K), locknuts (L), washers (H), using Allen key (N) and spanner (O).



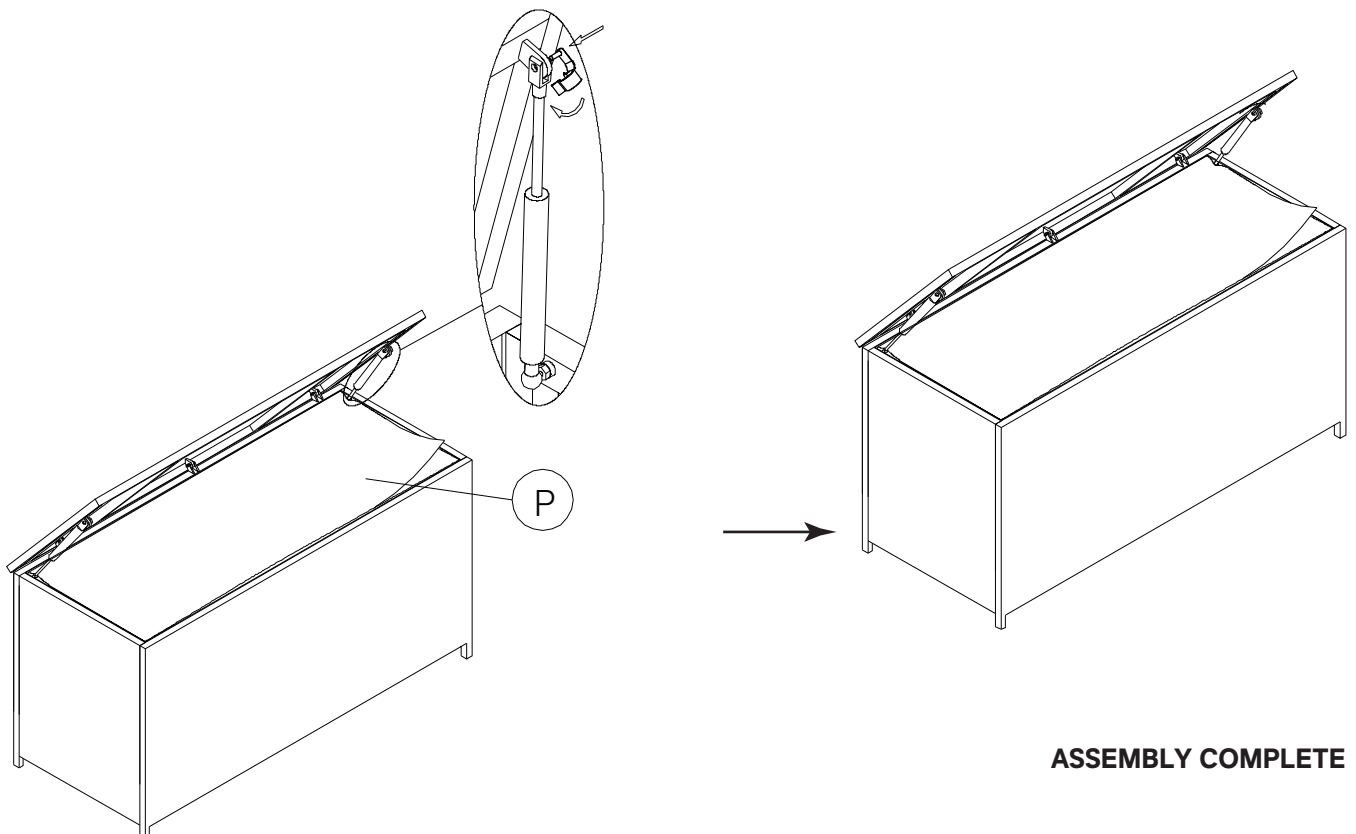
Step 4

Fix the other end of the airpump to the lid (F) on both sides.

Attach the waterproof bag (P) to the Velcro® inside of the box. Then zip up the bag.

Tighten all bolts one by one, being careful not to over tighten any, as this will cause the thread to become damaged.

Place PVC covers (I) on all visible bolts (G, J and K). Cover locknuts (L) using Nut cap (M). Close the lid and put the assembled storage box in your desired location.



ASSEMBLY COMPLETE