

HARTINGTON

SPIRIT COLLECTION

Corner Sofa Set

Powder-coated aluminium frame

FSC teak table top

2-Seater sofa - H64 x W159.5 x D79.5cm

Corner section - H64 x W79.5 x D79.5cm

Table - H34 x L79.5 x W79.5cm



Important

Please read these instructions before using the product and retain for future use.

HHGL Limited, MK9 1BA HHGL (ROI) Limited, D02 X576

SAFETY & CARE ADVICE

Please read these instructions fully before starting assembly.

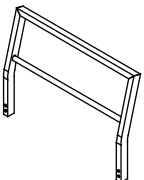
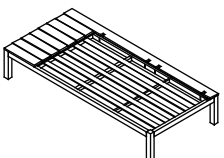
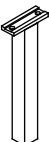
- Check you have all the components and tools listed in this booklet before assembly.
- Remove all fittings from their plastic bags and separate them into their groups.
- Keep children and animals away from the work area; small parts could choke if swallowed.
- Make sure you have enough space to lay out the parts before starting.
- Do not stand or put weight on the component parts during assembly, as this could cause damage.
- Assemble on a soft, level surface to avoid damaging the unit or your floor.
- We recommend a two-person assembly.
- Dispose of all packaging carefully and responsibly.
- Do not tighten screws completely at every stage until assembling is completed.

IMPORTANT INFORMATION

- Regularly check all the bolts, screws and fastenings are secure.
- Only clean using a damp cloth and mild detergent; do not use bleach or abrasive cleaners.

COMPONENTS - PANELS




Please check you have all components listed below. If you have any missing or damaged components, please contact your local store.

<p>A</p> 	<p>2 x Backrests</p>
<p>B</p> 	<p>1 x Seat</p>
<p>C</p> 	<p>1 x Middle leg</p>


COMPONENTS - FITTINGS

Please check you have all fittings listed below. If you have any missing or damaged fittings, please contact your local store.

Note: The quantities below are the correct amount to complete the assembly. In some cases, more fittings may be supplied than required.

<p>D</p> 	<p>8 x M6*40mm bolts</p>
<p>E</p> 	<p>2 x M6*20mm bolts</p>
<p>F</p> 	<p>10 x Flat washers</p>

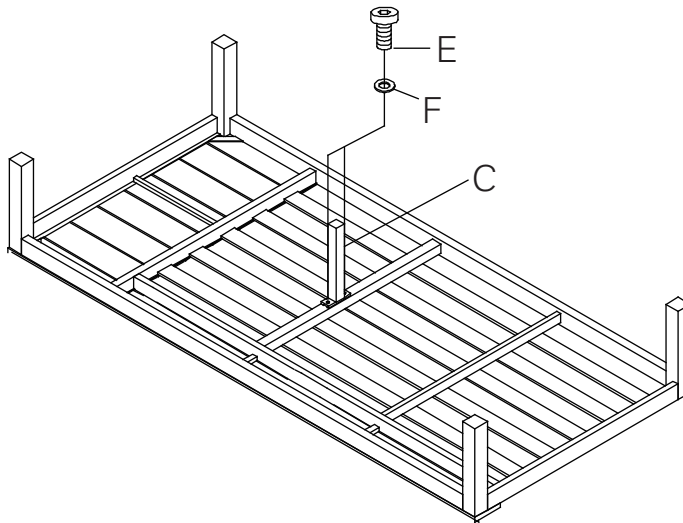
Tools included

<p>G</p> 	<p>1 x Allen key</p>
---	----------------------

ASSEMBLY INSTRUCTIONS - Left Sofa

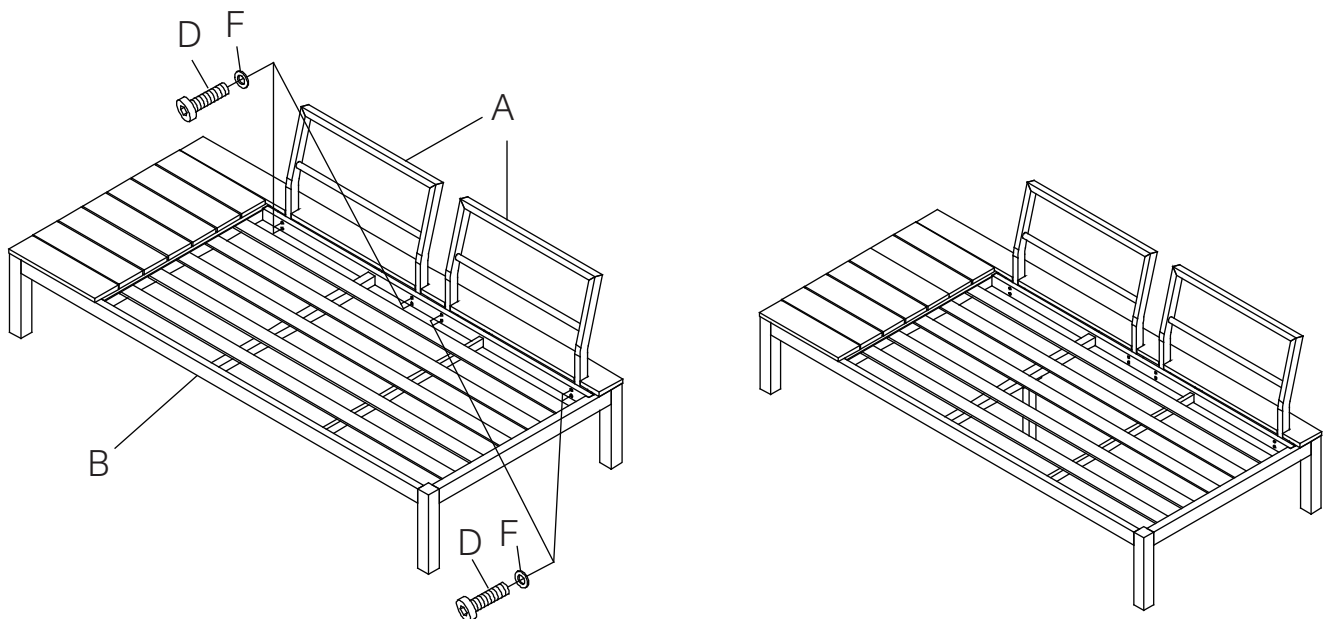
Step 1

Turn the sofa (B) upside down on a soft clean surface, attach middle leg (C) to the seating tube with bolts (E) and flat washers (F) using Allen key (G).



Step 2

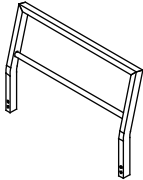
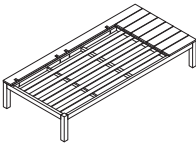
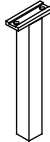
Turn the sofa over and place in desired position. Attach 2 backrest panels (A) to sofa (B) with bolts (D) and flat washers (F), tighten all screws completely using Allen key (G).



ASSEMBLY COMPLETE

COMPONENTS - PANELS




Please check you have all components listed below. If you have any missing or damaged components, please contact your local store.

<p>A</p> 	<p>2 x Backrests</p>
<p>B</p> 	<p>1 x Seat</p>
<p>C</p> 	<p>1 x Middle leg</p>


COMPONENTS - FITTINGS

Please check you have all fittings listed below. If you have any missing or damaged fittings, please contact your local store.

Note: The quantities below are the correct amount to complete the assembly. In some cases, more fittings may be supplied than required.

<p>D</p> 	<p>8 x M6*40mm bolts</p>
<p>E</p> 	<p>2 x M6*20mm bolts</p>
<p>F</p> 	<p>10 x Flat washers</p>

Tools included

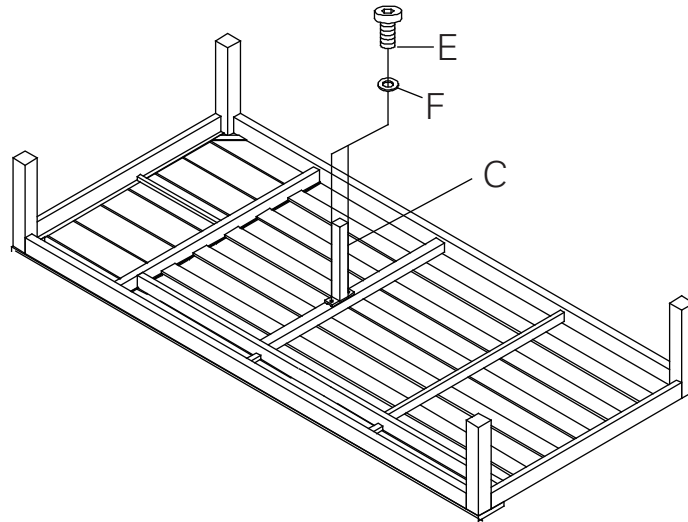
<p>G</p> 	<p>1 x Allen key</p>
--	----------------------



ASSEMBLY INSTRUCTIONS - Right Sofa

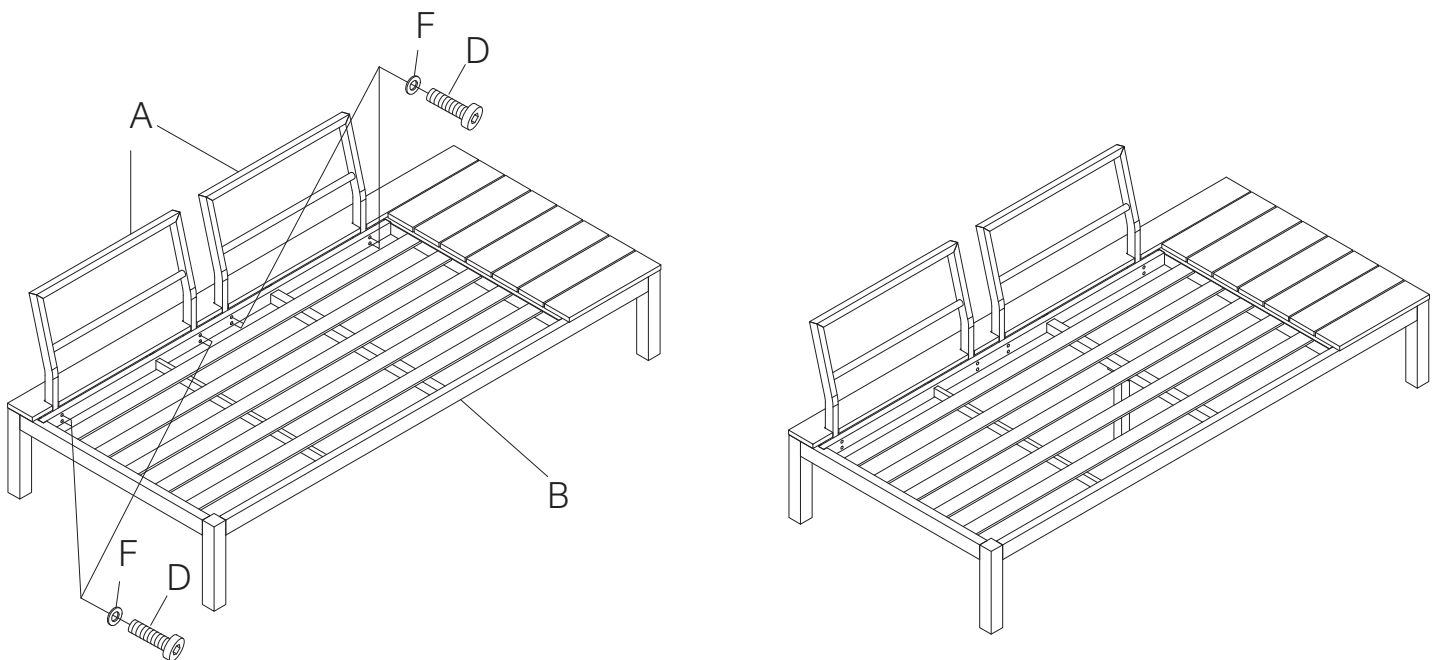
Step 1

Turn the sofa (B) upside down on a soft clean surface, attach middle leg (C) to the seating tube with bolts (E) and flat washers (F) using Allen key (G).



Step 2

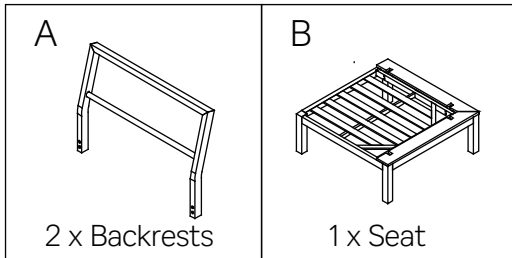
Turn the sofa over and place in desired position. Attach 2 backrest panels (A) to sofa (B) with bolts (D) and flat washers (F), tighten all bolts completely using Allen key (G).



ASSEMBLY COMPLETE

COMPONENTS - PANELS

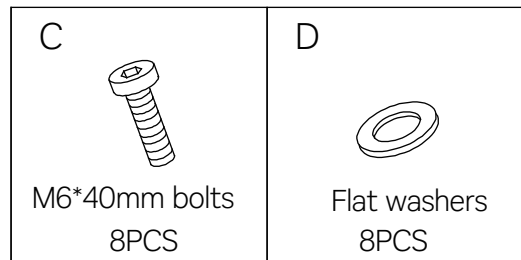
Please check you have all components listed below. If you have any missing or damaged components, please contact your local store.



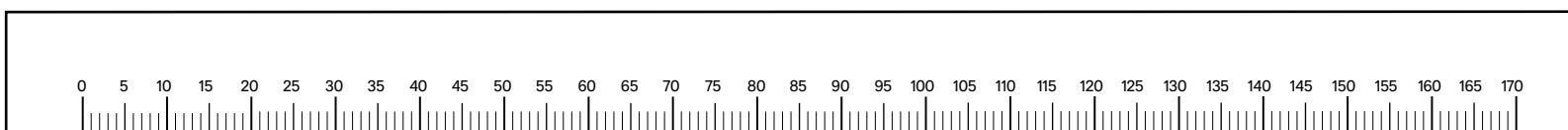
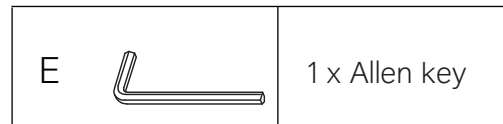
COMPONENTS - FITTINGS

Please check you have all fittings listed below. If you have any missing or damaged fittings, please contact your local store.

Note: The quantities below are the correct amount to complete the assembly. In some cases, more fittings may be supplied than required.



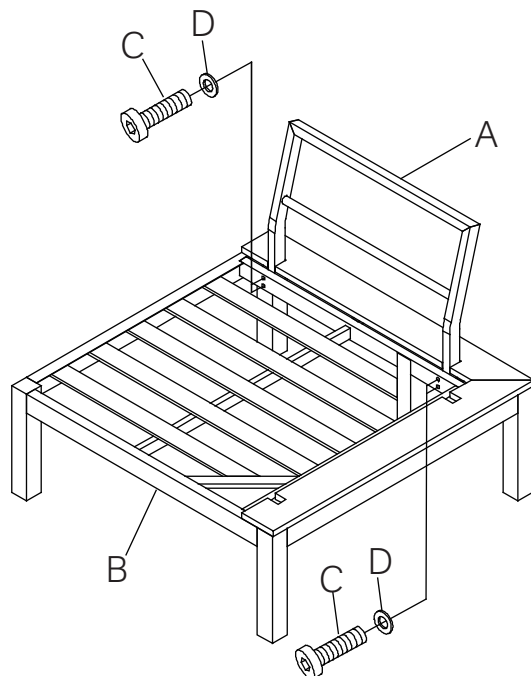
Tools included



ASSEMBLY INSTRUCTIONS - Corner Seat

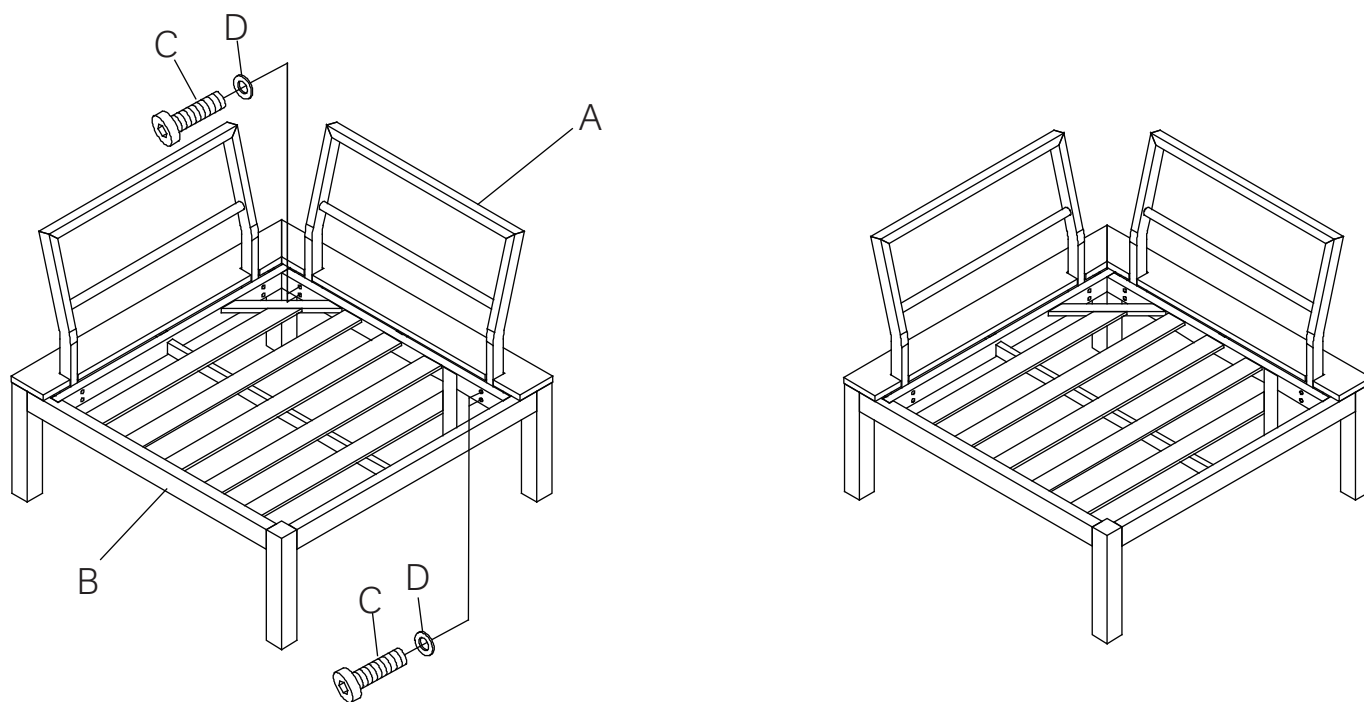
Step 1

Attach one backrest panel (A) to the seating section of the chair (B) with bolts (C) and flat washers (D) using Allen key (E).



Step 2


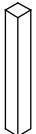
Attach another piece of backrest panel (A) to the seating section of the chair (B) with bolts (C) and flat washers (D), tighten all bolts completely using Allen key (E).



ASSEMBLY COMPLETE

COMPONENTS - PANELS



Please check you have all components listed below. If you have any missing or damaged components, please contact your local store.

<p>A</p>  <p>1 x table top</p>	<p>B</p>  <p>4 x legs</p>
---	--

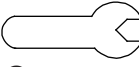
COMPONENTS - FITTINGS

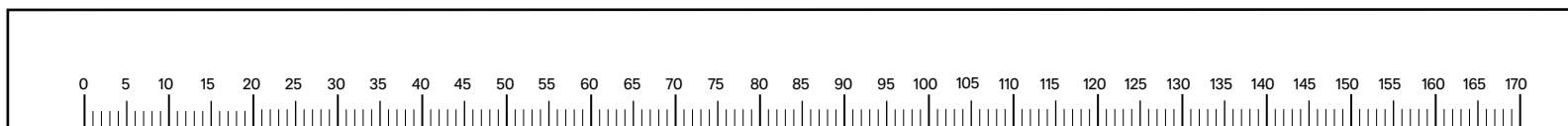
Please check you have all fittings listed below. If you have any missing or damaged fittings, please contact your local store.

Note: The quantities below are the correct amount to complete the assembly. In some cases, more fittings may be supplied than required.

<p>C</p>  <p>M8*35mm bolts 4PCS</p>	<p>D</p>  <p>Flat washers 4PCS</p>
--	---

Tools included

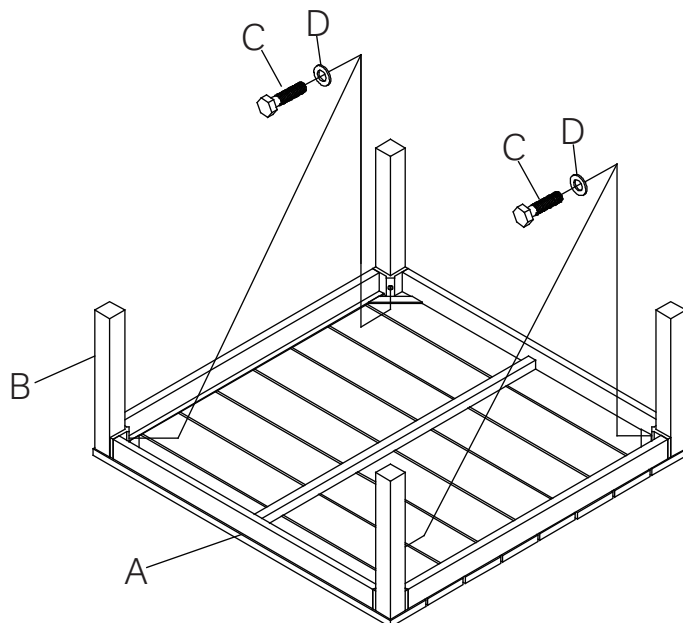
<p>E</p>	 <p>Spanner</p>	<p>1</p>
----------	--	----------



ASSEMBLY INSTRUCTIONS - Table

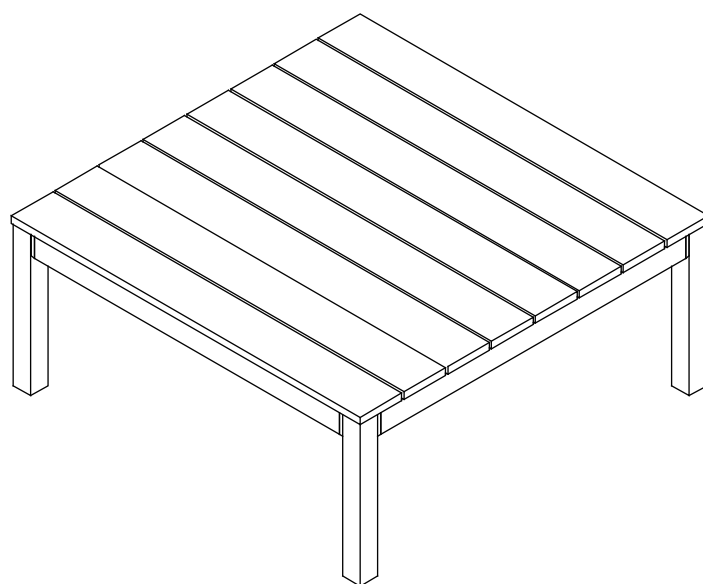
Step 1

Turn table top (A) upside down on a soft clean surface, attach 4 legs (B) to the table top with bolts (C) and flat washers (D) using spanner (E).



Step 2

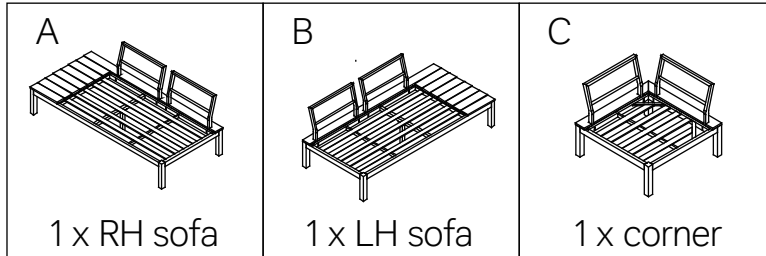
Turn the table over and place in desired position.



ASSEMBLY COMPLETE

COMPONENTS - PANELS

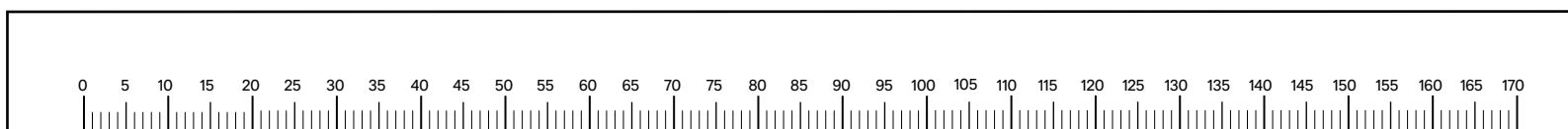
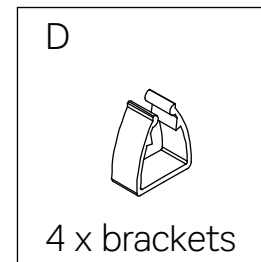
Please check you have all components listed below. If you have any missing or damaged components, please contact your local store.



COMPONENTS - FITTINGS

Please check you have all fittings listed below. If you have any missing or damaged fittings, please contact your local store.

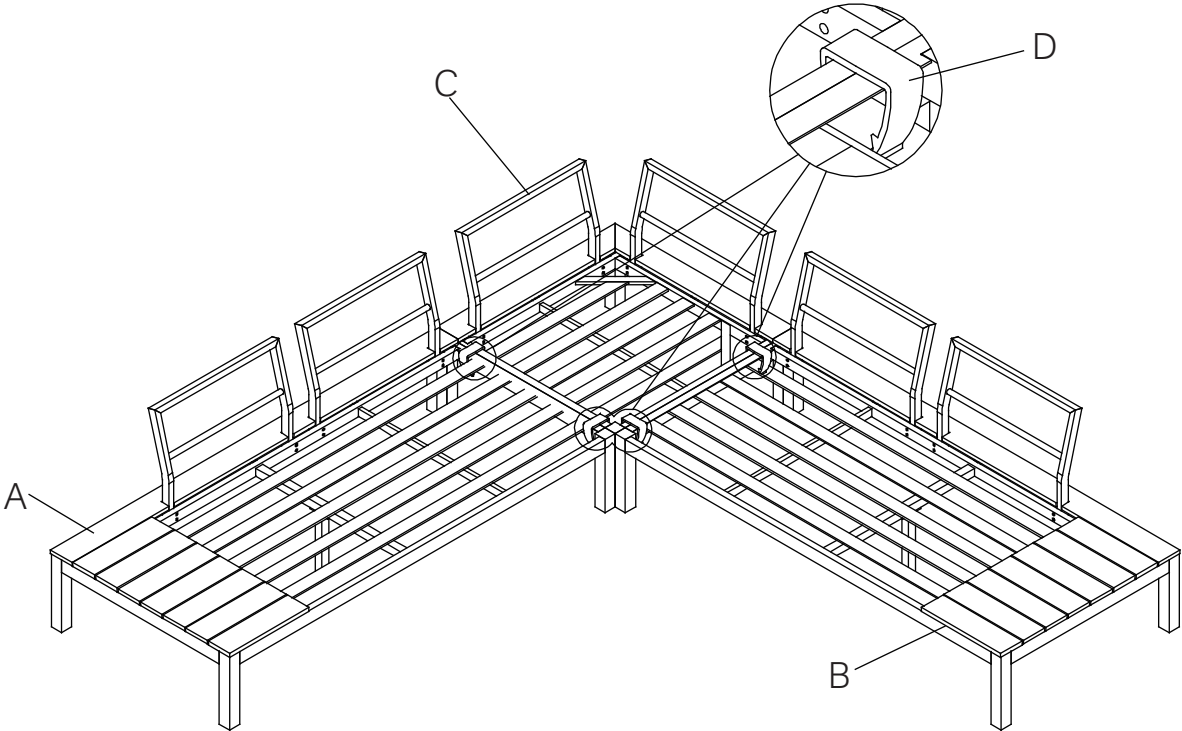
Note: The quantities below are the correct amount to complete the assembly. In some cases, more fittings may be supplied than required.



ASSEMBLY INSTRUCTIONS

Step 1

Position part (A), part (B) and part (C) ready for assembly. With brackets (D), position over the adjoining section parts.



ASSEMBLY COMPLETE