

HOMEBASE

FLORENCE HANGING CHAIR

INSTRUCTION MANUAL



IMPORTANT: Please read these instructions before using the product and retain for future use.

HHGL Limited, MK9 1BA
HHGL (ROI) Limited, D02 X576

V1_2023

SAFETY & CARE ADVICE










Please read these instructions fully before starting assembly.

- Check you have all the components and tools listed in this booklet before assembly.
- Remove all fittings from their plastic bags and separate them into their groups.
- Keep children and animals away from the work area; small parts could choke if swallowed.
- Make sure you have enough space to lay out the parts before starting.
- Do not stand or put weight on the component parts during assembly, as this could cause damage.
- Assemble on a soft, level surface to avoid damaging the unit or your floor.
- We recommend a two-person assembly.
- Dispose of all packaging carefully and responsibly.
- Do not tighten screws completely at every stage until assembling is completed.









IMPORTANT INFORMATION

- Regularly check all the bolts, screws and fastenings are secure.
- Only clean using a damp cloth and mild detergent; do not use bleach or abrasive cleaners.


COMPONENTS - PANELS

A	 Leg	1
B	 Leg	1
C	 Leg	2
D	 Pole	1
E	 Pole	1
F	 Basket	1
G	 Basket	1
H	 Chain	1
I	 Metal plug	1

COMPONENTS - FITTINGS

AA	 M8*65	1
CC	 M8	1
EE	 M6*55	8
GG	 M6	8
BB	 M8*35	4
DD	 M8	12
FF	 M8*18	6
HH	 M6	16

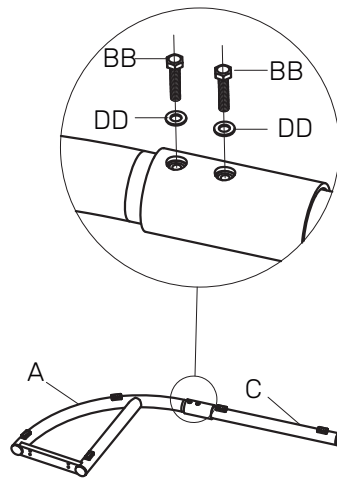
Tools Included

II	 Spanner	2
----	--	---

ASSEMBLY INSTRUCTIONS

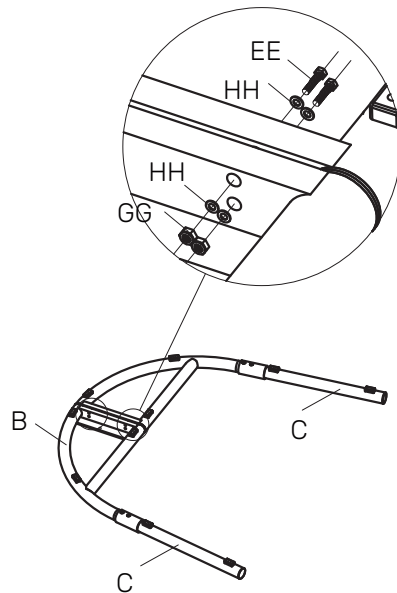
Step 1

Attach leg (A) to leg (C) with bolts (BB) and flat washers (DD) using spanner (II).



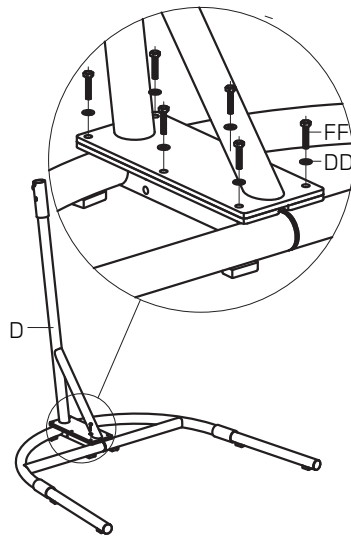
Step 2

Attach leg (B) to leg (C) with bolts (BB) and flat washers (DD) same as above. Attach leg (B) to leg (A) with bolts (EE), locknut (GG) and flat washers (HH) using spanner (II).



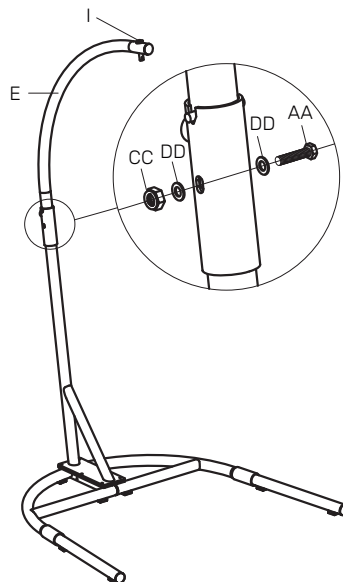
Step 3

Attach pole (D) to the base with bolts (FF) and flat washers (DD) using spanner (II).



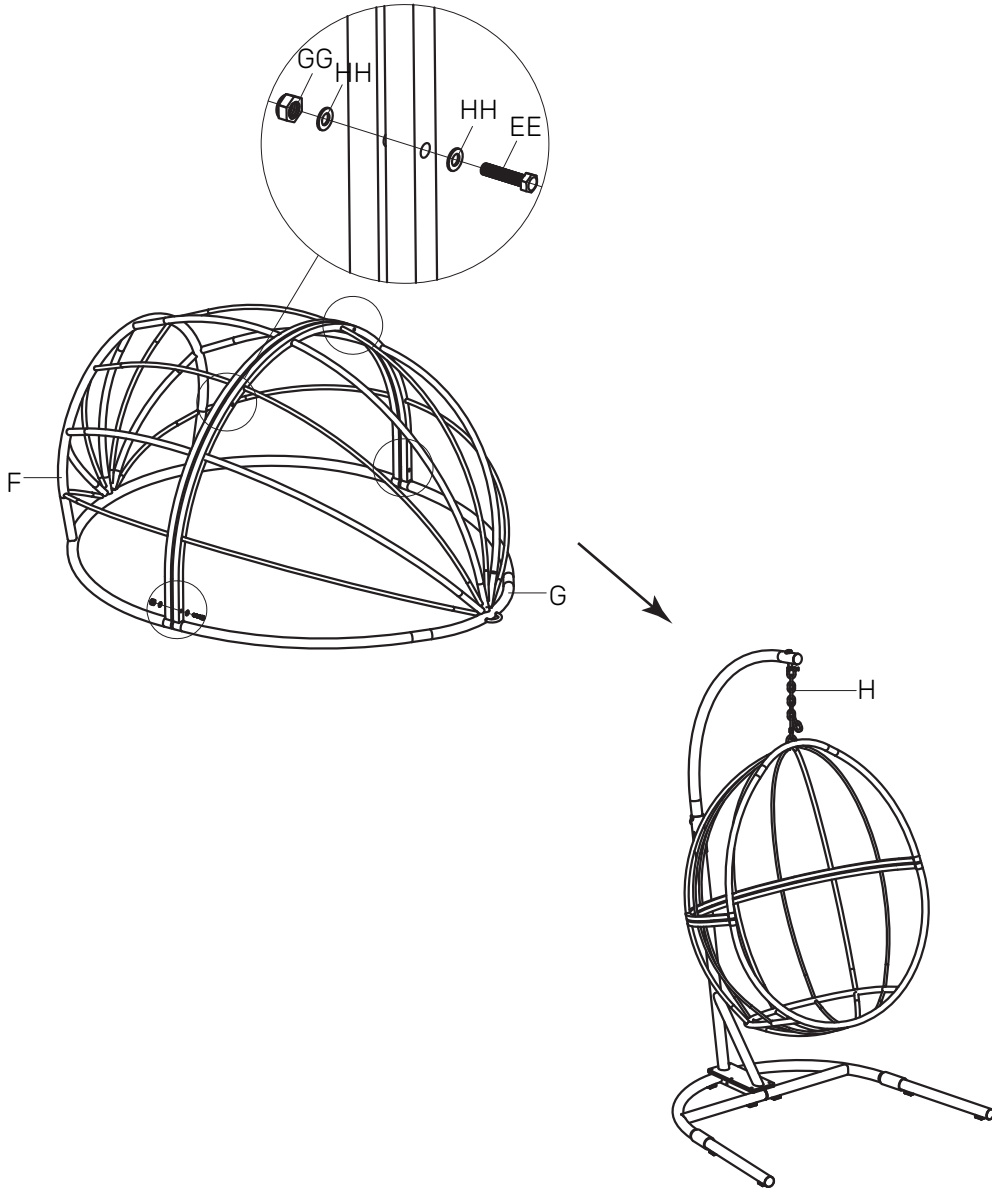
Step 4

Attach hanging pole (E) to pole (D) with bolts (AA), locknut (CC) and flat washers (DD) using spanner (II). Insert metal plug (I) into the hole at the top of the pole. Place the assembled frame on a flat surface.



Step 5

Attach basket (F) to (G) with bolts (EE), locknut (GG) and flat washers (HH) using spanner (II). Hanging the assembled basket to the pole with stainless steel chain (H), adjust the length of the chain to the desired height.



ASSEMBLY COMPLETE